

**HYDRAULIC  
COUPLINGS**



**PNEUMATIC  
COUPLINGS**



**DIAGNOSTICS  
AND GAUGES**



**VALVES**



**CLAMPS**





# T A B L E O F C O N T E N T S

## SECTION 1 Hydraulic Quick Couplings

SERIES	PAGE NO.
HNV .....	6-7
ANV .....	8-9
NS/PS .....	10-11
NV/PV .....	12-13
FF .....	14-17
FFS .....	18-19
3FF .....	20
3FVV .....	21
TNV .....	22-23
TNL .....	24-25
FB .....	26
PVV .....	27
VVP .....	28
VVX .....	29
Interchange Guide .....	30-36



## SECTION 2 Pneumatic & Straight-Through Couplings

ST .....	38-39
I-Manual .....	40
I-Automatic .....	41
A .....	42
PT .....	43



## SECTION 3 Diagnostic Products

H900 – Test Connectors .....	46-47
H900 – Gauge Connectors .....	48
H900 – Hose Assemblies .....	49-52
PCLG – Pressure Gauges .....	53



## SECTION 4 Valves

BKH / SKH .....	56
RKH .....	57
HRKH .....	58
BK3 / SK3 – Steel .....	59
BK3 / SK3 – Stainless .....	60
BKH / SKH – Split Flange .....	61
BKH / SKH – Full Flange .....	62
BKH / SKH – Split x Full Flange .....	63
PV2 / PV3 .....	64
BKHU .....	65
FCKH – ISO 6162-2 .....	66
FCKH – ISO 6164 .....	67
3KH / 4KH .....	68-70
BBKH / BSKH .....	71
ASKH .....	72
ARKH .....	73
Accessories .....	74
Actuators .....	75
SLB .....	76



## SECTION 4 Valves *cont.*

SERIES	PAGE NO.
171N .....	77
383 .....	78
MPV .....	79
FCV – Flow Control Valves .....	80
NVI – Needle Valves .....	81
VU – Soft Seat Check Valves .....	82
HSP – Hard Seat Check Valves .....	83



## SECTION 5 Pipe, Tube & Hose Clamps

Standard Duty .....	86-90
Twin .....	91-94
Heavy Duty .....	95-100



### TERMS OF SALE:

Net 30 day terms apply after credit has been established. F.O.B. Solon, Ohio USA. We also accept VISA, MasterCard, Discover and American Express.

#### Warranty:

PCI warrants the products listed in this catalog for a period of six (6) months after shipment. Products shall be free from defects in material and workmanship for a period of six (6) months after shipment. If the product purchased is defective in any way during the six (6) month period, please contact PCI for an RGA number to return the product for a full evaluation. If the product is defective, PCI will replace the product at no charge to the customer. This comprises the entire warranty and PCI makes no other claim whatsoever.

#### Returned Goods Authorization:

PCI will not accept back any product without first issuing an RGA number. The RGA number must appear on all paperwork. If product is being sent back for any other reason than product defect, a 20% restocking charge will be deducted from the credit. Product being sent back for credit must be in re-saleable condition and the freight must be prepaid. A 50% restocking charge applies to product originally sent via air freight or expedited service. Credit balances can be offset by material purchases only. Cash payments are not allowed.

#### Insurance:

PCI carries product liability insurance and will provide a copy at your request.

#### Errors in shipments or billing:

Errors in shipping or billing must be reported within 10 days of receipt of order.



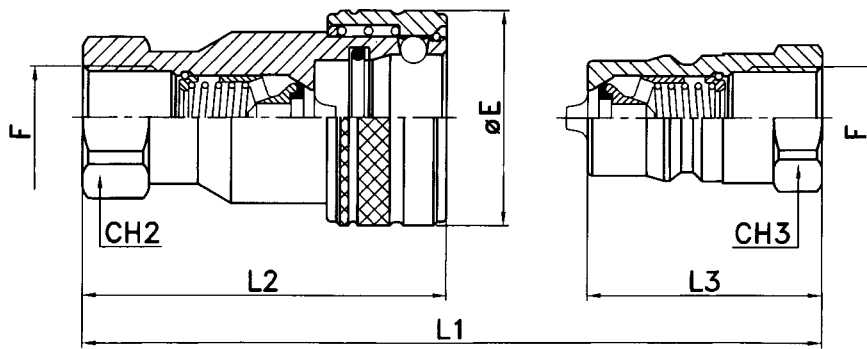
Products in this catalog can cause serious injury to equipment and persons if not used properly. Never exceed rated pressures stated in this catalog. Stated working pressures are rated in p.s.i. Inspect products on a regular basis while in service. Products in this catalog are used in thousands of applications in varying situations. It is not possible for us to warranty the use of a specific product for a singular application. The user is responsible for selecting, installing and testing the final configuration to insure that all performance, safety and warning requirements are met.

## SECTION 1



# HYDRAULIC QUICK COUPLINGS

# HNV SERIES "ISO B" INDUSTRIAL INTERCHANGE QUICK COUPLINGS



DIRECT INTERCHANGE TO:	
NAME	SERIES
PARKER	60
AEROQUIP	FD 45
FASTER	HN
SAFEWAY	S 10
SNAP-TITE	72

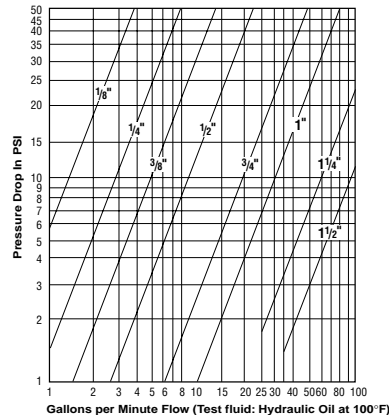
COUPLER PART NUMBER	PLUG PART NUMBER	NOMINAL SIZE	MATERIAL	WORKING PRESSURE	THREAD F	CH2	CH3	ØE	L1	L2	L3
HNV-18-F	HNV-18-M	1/8"	STEEL	5000 PSI	1/8" NPT F	.67	.55	.91	2.44	1.97	1.22
HNV-18-F-5	HNV-18-M-5		BRASS	3000 PSI							
HNV-18-F-2	HNV-18-M-2		303 SS	5000 PSI							
HNV-18-F-3	HNV-18-M-3		316 SS	5000 PSI							
HNV-14-F	HNV-14-M	1/4"	STEEL	5000 PSI	1/4" NPT F	.75	.75	1.10	2.99	2.36	1.49
HNV-14-F-5	HNV-14-M-5		BRASS	2700 PSI							
HNV-14-F-2	HNV-14-M-2		303 SS	3700 PSI							
HNV-14-F-3	HNV-14-M-3		316 SS	3700 PSI							
HNV-38-F	HNV-38-M	3/8"	STEEL	4500 PSI	3/8" NPT F	.95	.87	1.38	3.39	2.66	1.69
HNV-38-F-5	HNV-38-M-5		BRASS	2200 PSI							
HNV-38-F-2	HNV-38-M-2		303 SS	3700 PSI							
HNV-38-F-3	HNV-38-M-3		316 SS	3700 PSI							
HNV-12-F	HNV-12-M	1/2"	STEEL	3750 PSI	1/2" NPT F	1.18	1.06	1.73	3.82	2.99	1.91
HNV-12-F-5	HNV-12-M-5		BRASS	2250 PSI							
HNV-12-F-2	HNV-12-M-2		303 SS	4250 PSI							
HNV-12-F-3	HNV-12-M-3		316 SS	4250 PSI							
HNV-34-F	HNV-34-M	3/4"	STEEL	3000 PSI	3/4" NPT F	1.42	1.34	2.05	4.49	3.60	2.24
HNV-34-F-5	HNV-34-M-5		BRASS	2000 PSI							
HNV-34-F-2	HNV-34-M-2		303 SS	3050 PSI							
HNV-34-F-3	HNV-34-M-3		316 SS	3050 PSI							
HNV-1-F	HNV-1-M	1"	STEEL	3000 PSI	1" NPT F	1.61	1.61	2.36	5.16	4.17	2.58
HNV-1-F-5	HNV-1-M-5		BRASS	1500 PSI							
HNV-1-F-2	HNV-1-M-2		303 SS	2500 PSI							
HNV-1-F-3	HNV-1-M-3		316 SS	2500 PSI							
HNV-114-F	HNV-114-M	1 1/4"	STEEL	1750 PSI	1 1/4" NPT F	2.38	2.38	2.60	7.87	4.50	4.25
HNV-114-F-5	HNV-114-M-5		BRASS	1200 PSI							
HNV-114-F-2	HNV-114-M-2		303 SS	1700 PSI							
HNV-114-F-3	HNV-114-M-3		316 SS	1700 PSI							
HNV-112-F	HNV-112-M	1 1/2"	STEEL	1750 PSI	1 1/2" NPT F	2.63	2.63	3.00	7.87	4.81	4.76
HNV-112-F-5	HNV-112-M-5		BRASS	1500 PSI							
HNV-112-F-2	HNV-112-M-2		303 SS	2200 PSI							
HNV-112-F-3	HNV-112-M-3		316 SS	2200 PSI							
HNV-2-F	HNV-2-M	2 1/2"	STEEL	1500 PSI	2" NPT F	3.75	3.75	4.11	8.66	5.55	5.55
HNV-2-F-5	HNV-2-M-5		BRASS	700 PSI							
HNV-2-F-2	HNV-2-M-2		303 SS	1500 PSI							
HNV-2-F-3	HNV-2-M-3		316 SS	1500 PSI							
HNV-212-F	HNV-212-M	2 1/2"	STEEL	1500 PSI	2 1/2" NPT F	3.75	3.75	4.11	8.66	6.14	6.14
HNV-212-F-5	HNV-212-M-5		BRASS	700 PSI							
HNV-212-F-2	HNV-212-M-2		303 SS	1500 PSI							
HNV-212-F-3	HNV-212-M-3		316 SS	1500 PSI							
HNV-3-F	HNV-3-M	2 1/2"	STEEL	1500 PSI	3" NPT F	4.00	4.00	4.11	8.66	7.00	7.00
HNV-3-F-5	HNV-3-M-5		BRASS	700 PSI							
HNV-3-F-2	HNV-3-M-2		303 SS	1500 PSI							
HNV-3-F-3	HNV-3-M-3		316 SS	1500 PSI							

NOTE: SAE AND BSP THREADS AVAILABLE – CONTACT FACTORY FOR DETAILS

# TECHNICAL DATA

NOMINAL SIZE	MATERIAL	RATED FLOW	MINIMUM BURST-COUPLER	MINIMUM BURST-PLUG	MINIMUM BURST CONNECTED	FLUID SPILLAGE
1/8"	STEEL	2.0 GPM	25,300 PSI	23,200 PSI	23,200 PSI	0.5 cc
	BRASS		15,500 PSI	12,200 PSI	14,000 PSI	
	STAINLESS		29,300 PSI	18,000 PSI	19,000 PSI	
1/4"	STEEL	4.2 GPM	27,260 PSI	21,460 PSI	20,880 PSI	1.0 cc
	BRASS		14,500 PSI	11,890 PSI	13,630 PSI	
	STAINLESS		19,575 PSI	17,400 PSI	17,400 PSI	
3/8"	STEEL	8.0 GPM	27,550 PSI	18,850 PSI	19,430 PSI	2.4 cc
	BRASS		16,820 PSI	11,600 PSI	14,210 PSI	
	STAINLESS		17,400 PSI	15,950 PSI	16,675 PSI	
1/2"	STEEL	11.0 GPM	23,780 PSI	15,370 PSI	15,370 PSI	3.9 cc
	BRASS		13,195 PSI	11,890 PSI	13,920 PSI	
	STAINLESS		16,675 PSI	14,500 PSI	14,210 PSI	
3/4"	STEEL	24.0 GPM	19,720 PSI	15,950 PSI	15,660 PSI	11.0 cc
	BRASS		10,368 PSI	8,700 PSI	12,470 PSI	
	STAINLESS		15,660 PSI	14,500 PSI	15,225 PSI	
1"	STEEL	25.0 GPM	19,720 PSI	15,950 PSI	15,660 PSI	11.0 cc
	BRASS		10,367 PSI	8,700 PSI	12,740 PSI	
	STAINLESS		15,660 PSI	14,500 PSI	15,225 PSI	
1 1/4"	STEEL	30.0 GPM	14,500 PSI	13,050 PSI	13,050 PSI	19.0 cc
	BRASS		10,510 PSI	11,092 PSI	10,510 PSI	
	STAINLESS		12,325 PSI	11,600 PSI	11,600 PSI	
1 1/2"	STEEL	135.0 GPM	7,100 PSI	6,815 PSI	6,815 PSI	95.0 cc
	BRASS		6,525 PSI	5,800 PSI	6,525 PSI	
	STAINLESS		6,815 PSI	6,525 PSI	6,815 PSI	
2 1/2"	STEEL	250.0 GPM	6,000 PSI	5,800 PSI	5,800 PSI	170.0 cc
	BRASS		5,075 PSI	4,495 PSI	5,075 PSI	
	STAINLESS		5,800 PSI	5,365 PSI	5,800 PSI	

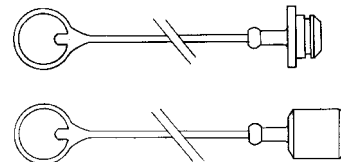
## PERFORMANCE:



Gallons per Minute Flow (Test fluid: Hydraulic Oil at 100°F) CONTACT PCI FOR SIZES ABOVE 1 1/2"

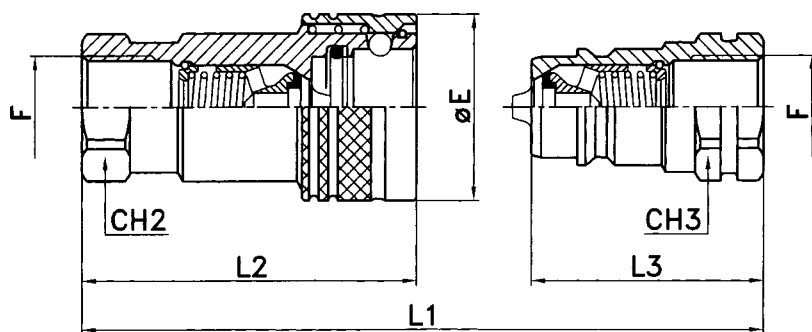
## ACCESSORIES – DUST PROTECTORS

NOMINAL SIZE	DUST PROTECTOR FOR PLUG	DUST PROTECTOR FOR COUPLER	COLOR	MATERIAL
1/8"	TFH-18	TMH-18	BLUE	SANTOPRENE
1/4"	TFH-14	TMH-14	BLUE	SANTOPRENE
3/8"	TFH-38	TMH-38	BLUE	SANTOPRENE
1/2"	TFH-12	TMH-12	BLUE	SANTOPRENE
3/4"	TFH-34	TMH-34	BLUE	SANTOPRENE
1"	TFH-1	TMH-1	BLUE	SANTOPRENE
1 1/4"	TFH-114	TMH-114	BLUE	SANTOPRENE
1 1/2"	TFH-112-A	TMH-112-A	—	ALUMINUM



**PCI** 1-800-322-9527

# ANV SERIES "ISO A" INTERCHANGE QUICK COUPLINGS



DIRECT INTERCHANGE TO:	
NAME	SERIES
PARKER	66
AEROQUIP	FD 56
FASTER	AN
SAFEWAY	S 56
SNAP-TITE	61

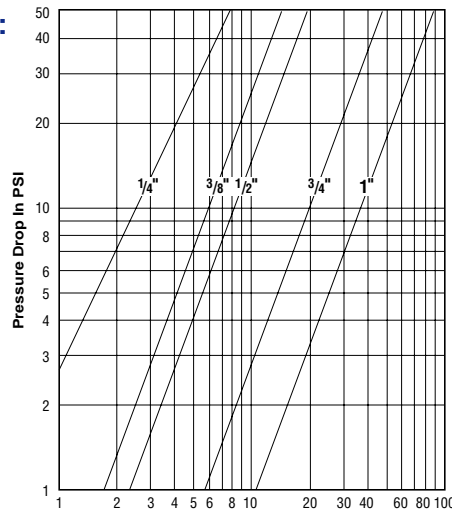
COUPLER PART NUMBER	PLUG PART NUMBER	NOMINAL SIZE	MATERIAL	WORKING PRESSURE	THREAD F	CH2	CH3	ØE	L1	L2	L3
ANV-14-F	ANV-14-M				1/4" NPT F	.75	.75	1.02	2.76	1.93	1.38
ANV-14-BSP-F	ANV-14-BSP-M	1/4"	STEEL	5500 PSI	1/4" BSPP	.75	.75	1.02	2.76	1.93	1.38
ANV-14-SAE-F	ANV-14-SAE-M				7/16"-20 UNF	.75	.75	1.10	2.83	1.89	1.41
ANV-38-F	ANV-38-M				3/8" NPT F	.87	.87	1.18	3.35	2.38	1.67
ANV-38-BSP-F	ANV-38-BSP-M	3/8"	STEEL	5000 PSI	3/8" BSPP	.87	.87	1.18	3.35	2.38	1.67
ANV-38-SAE-F	ANV-38-SAE-M				9/16"-18 UNF	.88	.88	1.23	3.41	2.23	1.70
NV-12-F	NV-12-M				1/2" NPT F	1.06	1.06	1.50	3.78	2.76	1.89
NV-12-BSP-F	NV-12-BSP-M	1/2"	STEEL	3625 PSI	1/2" BSPP	1.06	1.06	1.50	3.78	2.76	1.89
NV-12-SAE-F	NV-12-SAE-M				3/4"-16 UNF	1.06	1.06	1.48	3.75	2.63	1.95
ANV-34-F	ANV-34-M				3/4" NPT F	1.34	1.34	1.77	4.49	3.33	2.24
ANV-34-BSP-F	ANV-34-BSP-M	3/4"	STEEL	3625 PSI	3/4" BSPP	1.34	1.34	1.77	4.49	3.33	2.24
ANV-34-SAE-F	ANV-34-SAE-M				1 1/16"-12 UNF	1.31	1.31	1.86	4.56	3.23	2.43
ANV-1-F	ANV-1-M				1" NPT F	1.61	1.77	2.05	5.16	3.90	2.58
ANV-1-BSP-F	ANV-1-BSP-M	1"	STEEL	3625 PSI	1" BSPP	1.61	1.77	2.05	5.16	3.90	2.58
ANV-1-SAE-F	ANV-1-SAE-M				1 5/16"-12 UNF	1.63	1.63	2.10	5.16	3.88	2.87
ANV-114-F	ANV-114-M				1 1/4" NPT F	1.97	1.97	2.76	5.91	4.61	2.95
ANV-114-BSP-F	ANV-114-BSP-M	1 1/4"	STEEL	3625 PSI	1 1/4" BSPP	1.97	1.97	2.76	5.91	4.61	2.95
ANV-112-F	ANV-112-M				1 1/2" NPT F	2.36	2.36	3.28	6.57	5.24	3.30
ANV-112-BSP-F	ANV-112-BSP-M	1 1/2"	STEEL	2900 PSI	1 1/2" BSPP	2.36	2.36	3.28	6.57	5.24	3.30
ANV-2-F	ANV-2-M				2" NPT F	2.95	2.95	3.90	8.50	6.65	4.25
ANV-2-BSP-F	ANV-2-BSP-M	2"	STEEL	2755 PSI	2" BSPP	2.95	2.95	3.90	8.50	6.65	4.25



# TECHNICAL DATA

NOMINAL SIZE	MATERIAL	RATED FLOW	MINIMUM BURST-COUPLER	MINIMUM BURST-PLUG	MINIMUM BURST CONNECTED	FLUID SPILLAGE
1/4"	STEEL	2.5 GPM	27,260 PSI	20,155 PSI	18,850 PSI	0.5 cc
3/8"	STEEL	6.6 GPM	22,185 PSI	18,125 PSI	17,400 PSI	1.9 cc
1/2"	STEEL	11.3 GPM	18,850 PSI	15,370 PSI	16,820 PSI	2.7 cc
3/4"	STEEL	24.5 GPM	18,705 PSI	17,400 PSI	15,080 PSI	9.3 cc
1"	STEEL	29.7 GPM	16,820 PSI	14,500 PSI	14,500 PSI	16.0 cc
1 1/4"	STEEL	51.6 GPM	14,500 PSI	14,790 PSI	14,500 PSI	30.0 cc
1 1/2"	STEEL	88.4 GPM	11,600 PSI	12,035 PSI	11,600 PSI	54.0 cc
2"	STEEL	141.0 GPM	14,500 PSI	11,020 PSI	12,325 PSI	120.0 cc

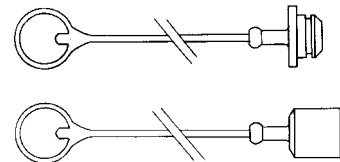
## PERFORMANCE:



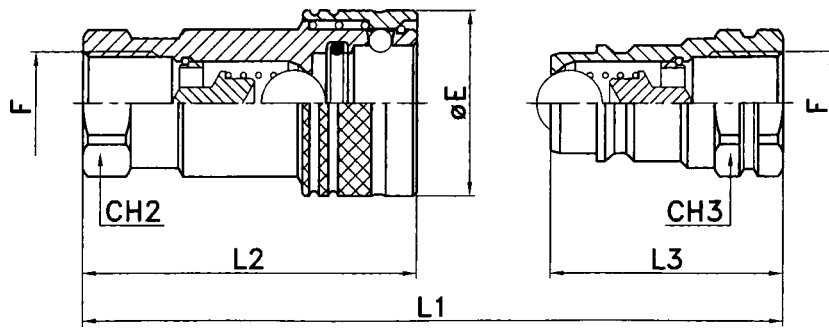
Gallons per Minute Flow (Test fluid: Hydraulic Oil at 100°F) CONTACT PCI FOR SIZES ABOVE 1"

## ACCESSORIES – DUST PROTECTORS

NOMINAL SIZE	DUST PROTECTOR FOR PLUG	DUST PROTECTOR FOR COUPLER	COLOR	MATERIAL
1/4"	TFA-14	TMA-14	RED	POLYETHYLENE
3/8"	TFA-38	TMA-38	RED	POLYETHYLENE
1/2"	TF-12-R	TM-12-R	RED	PVC
3/4"	TFA-34	TMA-34	RED	POLYETHYLENE
1"	TFA-1	TMA-1	RED	POLYETHYLENE



# NS SERIES AGRICULTURAL INTERCHANGE QUICK COUPLINGS – BALL TYPE



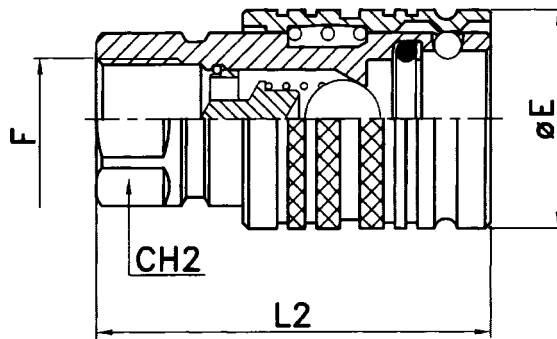
DIRECT INTERCHANGE TO:	
NAME	SERIES
PARKER	4000
FASTER	NS
SAFEWAY	S 20/S 40
SNAP-TITE	21/61

COUPLER PART NUMBER	PLUG PART NUMBER	NOMINAL SIZE	MATERIAL	WORKING PRESSURE	THREAD F	CH2	CH3	ØE	L1	L2	L3
① NS-14-F	NS-14-M	1/4"	STEEL	5075 PSI	1/4" NPT F	.75	.75	1.06	2.99	2.19	1.50
NS-14-BSP-F	NS-14-BSP-M				1/4" BSPP	.75	.75	1.06	2.99	2.19	1.50
NS-38-F	NS-38-M	3/8"	STEEL	3625 PSI	3/8" NPT F	.94	.94	1.34	3.35	2.48	1.67
NS-38-BSP-F	NS-38-BSP-M				3/8" BSPP	.94	.94	1.34	3.35	2.48	1.67
NS-12-F	2NS-12-M	1/2"	STEEL	3045 PSI	1/2" NPT F	1.06	1.06	1.50	3.78	2.76	1.89
NS-12-BSP-F	2NS-12-BSP-M				1/2" BSPP	1.06	1.06	1.50	3.78	2.76	1.89
PS-12-F	2NS-12-M				1/2" NPT F	1.06	1.06	1.50	3.78	2.76	1.89
PS-12-BSP-F	2NS-12-BSP-M				1/2" BSPP	1.06	1.06	1.50	3.78	2.76	1.89
NSP-34-F	NSP-34-M	3/4"	STEEL	3625 PSI	3/4" NPT F	1.34	1.34	1.85	4.49	3.39	2.24
NSP-34-BSP-F	NSP-34-BSP-M				3/4" BSPP	1.34	1.34	1.85	4.49	3.39	2.24
* NS-34-F	* NS-34-M	3/4"	STEEL	3625 PSI	3/4" NPT F	1.61	1.61	2.05	5.20	3.90	2.58
② NV-1-F	NV-1-M	1"	STEEL	3260 PSI	1" NPT F	1.61	1.61	2.05	5.20	3.90	2.58
NV-1-BSP-F	NV-1-BSP-M				1" BSPP	1.61	1.61	2.05	5.20	3.90	2.58

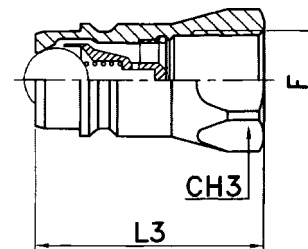
\*INTERCHANGE TO FASTER U.S.A.

① 1/4" COUPLER HAS A SNAP RING GROOVE FOR SNOW PLOW LIFT ATTACHMENTS.

② POPPET VALVE TYPE.



**PS**  
Double Acting Sleeve

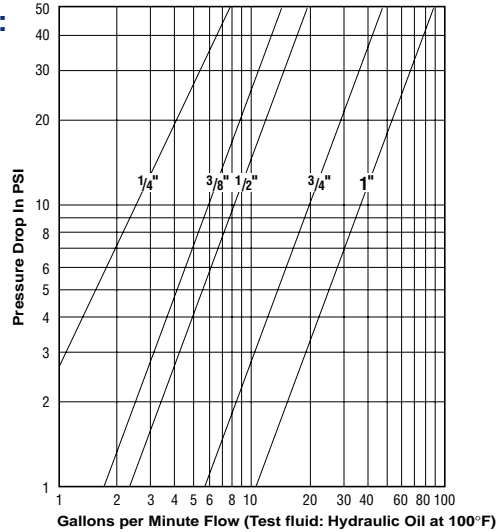


**2NS**  
Connectable Under Pressure Plug

# TECHNICAL DATA

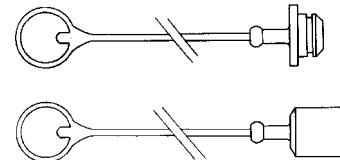
NOMINAL SIZE	MATERIAL	RATED FLOW	MINIMUM BURST-COUPLER	MINIMUM BURST-PLUG	MINIMUM BURST CONNECTED	FLUID SPILLAGE
1/4"	STEEL	2.7 GPM	22,330 PSI	17,545 PSI	22,765 PSI	1.0 cc
3/8"	STEEL	5.5 GPM	14,140 PSI	14,780 PSI	22,330 PSI	2.4 cc
1/2"	STEEL	7.9 GPM	12,325 PSI	12,200 PSI	18,560 PSI	2.7 cc
3/4"	STEEL	15.3 GPM	16,820 PSI	14,355 PSI	19,430 PSI	4.6 cc
1"	STEEL	28.0 GPM	14,500 PSI	17,255 PSI	14,790 PSI	13.0 cc

## PERFORMANCE:

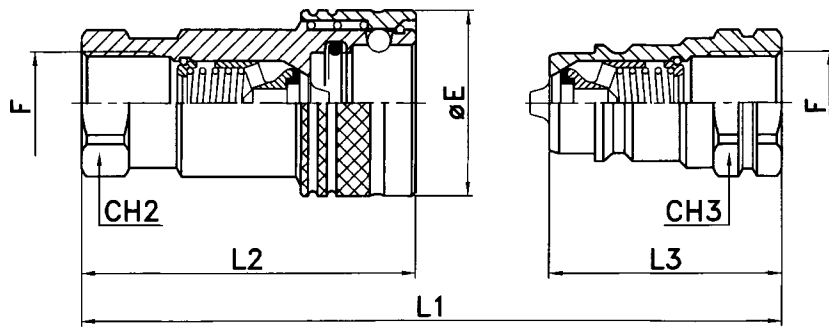


## ACCESSORIES – DUST PROTECTORS

NOMINAL SIZE	DUST PROTECTOR FOR PLUG	DUST PROTECTOR FOR COUPLER	COLOR	MATERIAL
1/4"	TF-14-R	TM-14-R	RED	PVC
3/8"	TF-38-R	TM-38-R	RED	PVC
1/2"	TF-12-R	TM-12-R	RED	PVC
1/2"	TF-12-Y	TM-12-Y	YELLOW	PVC
1/2"	TF-12-B	TM-12-B	BLUE	PVC
1/2"	TF-12-G	TM-12-G	GREEN	PVC
1/2"	TF-12-BK	TM-12-BK	BLACK	PVC



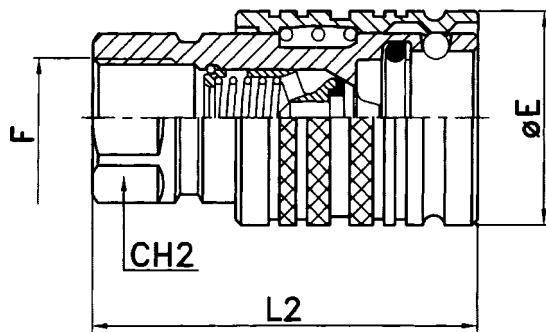
# NV SERIES AGRICULTURAL INTERCHANGE COUPLINGS – POPPET TYPE



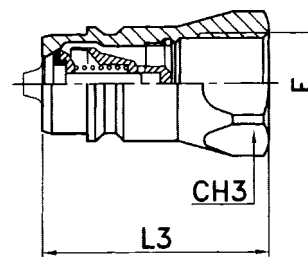
DIRECT INTERCHANGE TO:	
NAME	SERIES
PARKER	4000-P
AEROQUIP	42/56/76
FASTER	NV
SAFEWAY	S 20-P/S 40-P

COUPLER PART NUMBER	PLUG PART NUMBER	NOMINAL SIZE	MATERIAL	WORKING PRESSURE	THREAD F	CH2	CH3	ØE	L1	L2	L3
NV-14-F	NV-14-M	1/4"	STEEL	5075 PSI	1/4" NPT F	.75	.75	1.06	2.99	2.19	1.49
NV-14-BSP-F	NV-14-BSP-M				1/4" BSP	.75	.75	1.06	2.99	2.19	1.49
NV-38-F	NV-38-M	3/8"	STEEL	3625 PSI	3/8" NPT F	.94	.94	1.34	3.35	2.48	1.69
NV-38-BSP-F	NV-38-BSP-M				3/8" BSP	.94	.94	1.34	3.35	2.48	1.69
NV-12-F	NV-12-M	1/2"	STEEL	3625 PSI	1/2" NPT F	1.06	1.06	1.49	3.78	2.76	1.89
NV-12-BSP-F	NV-12-BSP-M				1/2" BSP	1.06	1.06	1.49	3.78	2.76	1.89
NV-12-UNF-F	2NV-12-UNF-M				3/4"-16 UNF	1.06	1.06	1.49	3.78	2.76	1.89
PV-12-F	2NV-12-M				1/2" NPT F	1.06	1.06	1.49	3.78	2.76	1.89
PV-12-BSP-F	2NV-12-BSP-M				1/2" BSP	1.06	1.06	1.49	3.78	2.76	1.89
PV-12/34-F	2NV-12/34-M				3/4" NPT F	1.06	1.06	1.49	4.72	3.05	2.54
PV-12/34-BSP-F	2NV-12/34-BSP-M				3/4" BSP	1.06	1.06	1.49	4.72	3.05	2.54
PV-12-UNF-F	2NV-12-UNF-M				3/4"-16 UNF	1.06	1.06	1.49	3.78	2.76	1.89
PV-12-UNF-02	2NV-12-UNF-M-02				3/4"-16 UNFM	1.06	1.06	1.49	3.78	2.76	1.89
*NV-34-F	*NV-34-M				3/4"	STEEL	3625 PSI	3/4" NPT F	1.34	1.34	1.85
*NV-34-BSP-F	*NV-34-BSP-M	3/4" BSP	1.34	1.34				1.85	4.49	3.39	2.24
NV-1-F	NV-1-M	1"	STEEL	3625 PSI	1" NPT F	1.61	1.61	2.05	5.16	3.90	2.58
NV-1-BSP-F	NV-1-BSP-M				1" BSP	1.61	1.61	2.05	5.16	3.90	2.58
NV-114-F	NV-114-M	1 1/4"	STEEL	3625 PSI	1 1/4" NPT F	1.97	1.97	2.76	5.91	4.61	2.95
NV-114-BSP-F	NV-114-BSP-M				1 1/4" BSP	1.97	1.97	2.76	5.91	4.61	2.95
NV-112-F	NV-112-M	1 1/2"	STEEL	3045 PSI	1 1/2" NPT F	2.36	2.36	3.30	6.57	5.04	3.29
NV-112-BSP-F	NV-112-BSP-M				1 1/2" BSP	2.36	2.36	3.30	6.57	5.04	3.29
NV-2-F	NV-2-M	2"	STEEL	1450 PSI	2" NPT F	2.95	2.95	4.65	7.87	5.98	3.94
NV-2-BSP-F	NV-2-BSP-M				2" BSP	2.95	2.95	4.65	7.87	5.98	3.94

NOTE: P PREFIX = DOUBLE ACTING SLEEVE – PUSH PULL DESIGN  
 \* DOES NOT INTERCHANGE WITH PIONEER 3/4" POPPET TYPE COUPLER.  
 USE NSP ON PREVIOUS PAGE FOR INTERCHANGE.



**PV**  
**Double Acting Sleeve**

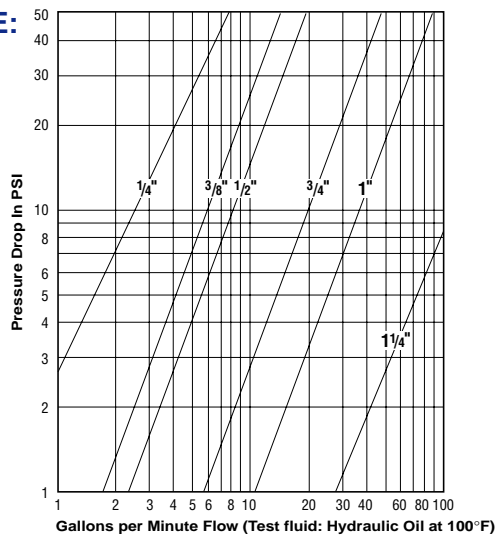


**2NV**  
**Connectable Under Pressure Plug**

# TECHNICAL DATA

NOMINAL SIZE	RATED FLOW	MINIMUM BURST-COUPLER	MINIMUM BURST-PLUG	MINIMUM BURST CONNECTED	FLUID SPILLAGE
1/4"	6.08 GPM	27,550 PSI	21,170 PSI	22,040 PSI	1.0 cc
3/8"	9.5 GPM	26,970 PSI	20,300 PSI	23,200 PSI	2.4 cc
1/2"	11.3 GPM	18,850 PSI	15,370 PSI	16,820 PSI	2.7 cc
3/4"	24.5 GPM	17,400 PSI	15,370 PSI	15,370 PSI	8.6 cc
1"	27.5 GPM	16,820 PSI	15,225 PSI	14,790 PSI	13.0 cc
1 1/4"	51.6 GPM	14,500 PSI	17,255 PSI	14,500 PSI	30.0 cc
1 1/2"	88.5 GPM	13,920 PSI	12,180 PSI	12,760 PSI	52.0 cc
2"	215.0 GPM	7,250 PSI	6,090 PSI	6,960 PSI	90.0 cc

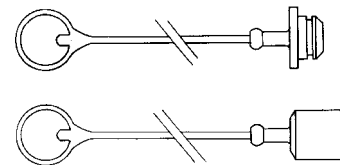
## PERFORMANCE:



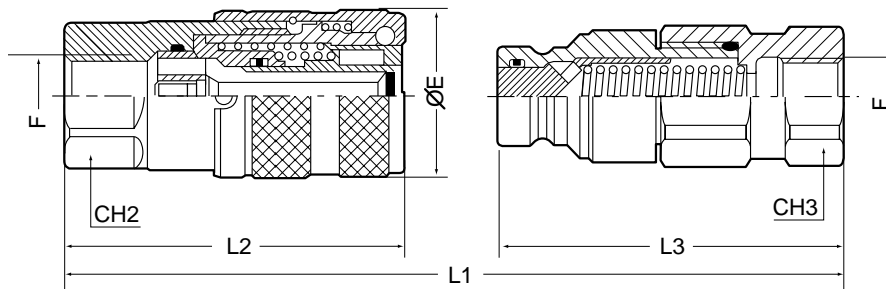
CONTACT PCI FOR SIZES ABOVE 1 1/4"

## ACCESSORIES – DUST PROTECTORS

NOMINAL SIZE	DUST PROTECTOR FOR PLUG	DUST PROTECTOR FOR COUPLER	COLOR	MATERIAL
1/4"	TF-14-R	TM-14-R	RED	PVC
3/8"	TF-38-R	TM-38-R	RED	PVC
1/2"	TF-12-R	TM-12-R	RED	PVC
1/2"	TF-12-Y	TM-12-Y	YELLOW	PVC
1/2"	TF-12-B	TM-12-B	BLUE	PVC
1/2"	TF-12-G	TM-12-G	GREEN	PVC
1/2"	TF-12-BK	TM-12-BK	BLACK	PVC



# FF SERIES ISO 16028 FLUSH FACE QUICK COUPLINGS



DIRECT INTERCHANGE TO:	
NAME	SERIES
PARKER	FF/FE
AEROQUIP	FD 89
FASTER	2 FF I
SAFEWAY	S 49
HOLMBURY	FIMC

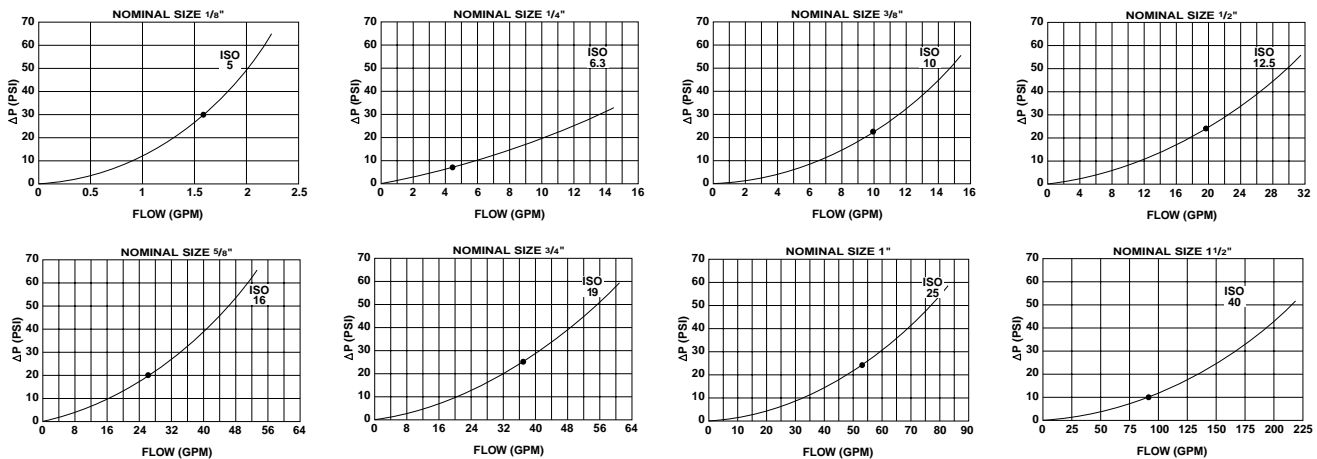
COUPLER PART NUMBER	PLUG PART NUMBER	ISO SIZE	NOMINAL SIZE	THREAD F	CH2	CH3	ØE	L1	L2	L3
FF02-N18F	FF02-N18M	5	1/8"	1/8" NPTF	.67	.67	.98	2.15	1.91	1.71
FF02-B18F	FF02-B18M	5	1/8"	1/8" BSPP	.67	.67	.98	2.15	1.91	1.71
FF04-N14F	FF04-N14M	6.3	1/4"	1/4" NPTF	.86	.86	1.10	3.94	2.32	2.05
FF04-B14F	FF04-B14M	6.3	1/4"	1/4" BSPP	.86	.86	1.10	3.94	2.32	2.05
FF04-S916F	FF04-S916M	6.3	1/4"	9/16"-18 UNF	.86	.86	1.10	3.94	2.32	2.05
FF06-N38F	FF06-N38M	10	3/8"	3/8" NPTF	1.18	1.18	1.26	4.76	2.87	2.52
FF06-B38F	FF06-B38M	10	3/8"	3/8" BSPP	1.18	1.18	1.26	4.64	2.87	2.40
FF06-N12F	FF06-N12M	10	3/8"	1/2" NPTF	1.18	1.18	1.26	4.76	2.87	2.52
FF06-B12F	FF06-B12M	10	3/8"	1/2" BSPP	1.18	1.18	1.26	4.64	2.87	2.40
FF06-S916F	FF06-S916M	10	3/8"	9/16-18 UNF	1.18	1.18	1.26	4.64	2.87	2.40
FF06-S34F	FF06-S34M	10	3/8"	3/4-16 UNF	1.18	1.18	1.26	4.64	2.87	2.40
FF08-N12F	FF08-N12M	12.5	1/2"	1/2" NPTF	1.42	1.42	1.50	5.35	3.15	2.87
FF08-B12F	FF08-B12M	12.5	1/2"	1/2" BSPP	1.42	1.42	1.50	5.35	3.15	2.87
FF08-N34F	FF08-N34M	12.5	1/2"	3/4" NPTF	1.42	1.42	1.50	5.59	3.30	2.95
FF08-B34F	FF08-B34M	12.5	1/2"	3/4" BSPP	1.42	1.42	1.50	5.59	3.30	2.95
FF08-S34F	FF08-S34M	12.5	1/2"	3/4-16 UNF	1.42	1.42	1.50	5.24	3.15	2.76
FF08-S78F	FF08-S78M	12.5	1/2"	7/8-14 UNF	1.42	1.42	1.50	5.59	3.30	2.95
FF08-S1116F	FF08-S1116M	12.5	1/2"	1 1/16-12 UNF	1.42	1.42	1.50	5.59	3.30	2.95
FF10-N12F	FF10-N12M	16	5/8"	1/2" NPTF	1.42	1.42	1.65	5.39	3.23	2.87
FF10-B12F	FF10-B12M	16	5/8"	1/2" BSPP	1.42	1.42	1.65	5.39	3.23	2.87
FF10-N34F	FF10-N34M	16	5/8"	3/4" NPTF	1.42	1.42	1.65	5.63	3.39	2.95
FF10-B34F	FF10-B34M	16	5/8"	3/4" BSPP	1.42	1.42	1.65	5.63	3.39	2.95
FF10-S34F	FF10-S34M	16	5/8"	3/4-16 UNF	1.42	1.42	1.65	5.28	3.23	2.76
FF10-S78F	FF10-S78M	16	5/8"	7/8-14 UNF	1.42	1.42	1.65	5.63	3.39	2.95
FF10-S1116F	FF10-S1116M	16	5/8"	1 1/16-12 UNF	1.42	1.42	1.65	5.63	3.39	2.95
FF12-N34F	FF12-N34M	19	3/4"	3/4" NPTF	1.61	1.61	1.89	6.26	3.74	3.39
FF12-B34F	FF12-B34M	19	3/4"	3/4" BSPP	1.61	1.61	1.89	6.26	3.74	3.39
FF12-N1F	FF12-N1M	19	3/4"	1" NPTF	1.61	1.61	1.89	6.38	3.86	3.39
FF12-B1F	FF12-B1M	19	3/4"	1" BSPP	1.61	1.61	1.89	6.38	3.86	3.39
FF12-S1116F	FF12-S1116M	19	3/4"	1 1/16-12 UNF	1.61	1.61	1.89	6.30	3.43	3.43
FF12-S1516F	FF12-S1516M	19	3/4"	15/16-12 UNF	1.61	1.61	1.89	6.30	3.43	3.43
FF16-N114F	FF16-N114M	25	1"	1 1/4" NPTF	2.17	2.17	2.17	6.97	4.33	3.54
FF16-B114F	FF16-B114M	25	1"	1 1/4" BSPP	2.17	2.17	2.17	6.97	4.33	3.54
FF16-S158F	FF16-S158M	25	1"	15/8-12 UNF	2.17	2.17	2.17	6.97	4.33	3.54
FF24-N112F	FF24-N112M	40	1 1/2"	1 1/2" NPTF	2.76	2.76	3.11	9.33	4.65	4.49
FF24-B112F	FF24-B112M	40	1 1/2"	1 1/2-BSPP	2.76	2.76	3.11	9.33	4.65	4.49

NOTE: LOCKING SLEEVE STANDARD ON ALL SIZE COUPLERS.

# TECHNICAL DATA – STEEL COUPLINGS

NOMINAL SIZE	ISO SIZE	MAXIMUM WORKING PRESSURE	RATED FLOW	MINIMUM BURST-PLUG	MINIMUM BURST COUPLER	MINIMUM BURST CONNECTED	FLUID SPILLAGE
1/8"	5	7250 PSI	1.6 GPM	43,500 PSI	29,000 PSI	43,500 PSI	0.006 cc
1/4"	6.3	5000 PSI	4.8 GPM	28,275 PSI	23,925 PSI	33,350 PSI	0.008 cc
3/8"	10	5000 PSI	10.0 GPM	29,000 PSI	21,025 PSI	20,590 PSI	0.010 cc
1/2"	12.5	5000 PSI	19.8 GPM	25,375 PSI	21,750 PSI	23,925 PSI	0.012 cc
5/8"	16	5000 PSI	26.4 GPM	24,255 PSI	21,750 PSI	23,200 PSI	0.015 cc
3/4"	19	5000 PSI	37.0 GPM	20,580 PSI	20,580 PSI	20,300 PSI	0.020 cc
1"	25	5000 PSI	52.8 GPM	20,580 PSI	20,580 PSI	21,750 PSI	0.030 cc
1 1/2"	40	3625 PSI	89.5 GPM	14,500 PSI	14,500 PSI	14,500 PSI	0.050 cc

## PERFORMANCE:



## ACCESSORIES – DUST PROTECTORS

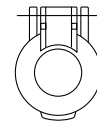
NOMINAL SIZE	ISO SIZE	AUTOMATIC DUST CAP PART NUMBER	COLOR	MATERIAL
3/8"	10	TFFA-38-R	RED	NYLON
3/8"	10	TFFA-38-Y	YELLOW	NYLON
3/8"	10	TFFA-38-G	GREEN	NYLON
3/8"	10	TFFA-38-B	BLUE	NYLON
3/8"	10	TFFA-38-BK	BLACK	NYLON
1/2"	12.5	TFFA-34-R	RED	NYLON
1/2"	12.5	TFFA-34-Y	YELLOW	NYLON
1/2"	12.5	TFFA-34-G	GREEN	NYLON
1/2"	12.5	TFFA-34-B	BLUE	NYLON
1/2"	12.5	TFFA-34-BK	BLACK	NYLON

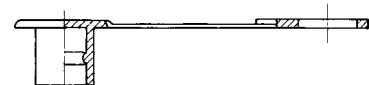
NOMINAL SIZE	ISO SIZE	MANUAL DUST CAP FOR COUPLER	COLOR	MATERIAL
3/8"	10	FF06-FC	RED	RUBBER
1/2"	12.5	FF08-FC	RED	RUBBER
3/4"	19	FF12-FC	RED	RUBBER

NOMINAL SIZE	ISO SIZE	MANUAL DUST CAP FOR PLUG	COLOR	MATERIAL
3/8"	10	FF06-MC	RED	RUBBER
1/2"	12.5	FF08-MC	RED	RUBBER
3/4"	19	FF12-MC	RED	RUBBER

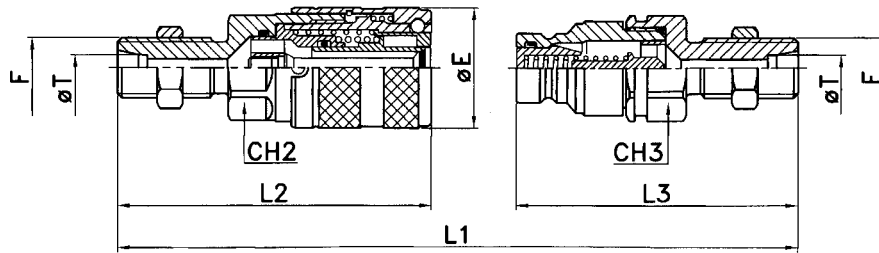


PRESS FITS ON COUPLER HALF ONLY.



NOTE: STANDARD COATING IS ZINC GREEN OR ZINC YELLOW  
QPQ COATING AVAILABLE

# FF SERIES FLUSH FACE COUPLINGS WITH BULKHEAD CONNECTIONS IN DIN 2353 (L) LIGHT (S) HEAVY



DIRECT INTERCHANGE TO:	
NAME	SERIES
FASTER	2 FF I
HOLMBURY	FIMC
WITH BULKHEAD CONNECTIONS	

COUPLER PART NUMBER	PLUG PART NUMBER	ISO SIZE	NOMINAL SIZE	BULKHEAD SIZE F	CH2	CH3	ØE	L1	L2	L3
FF04-F-08L	FF04-M-08L	6.3	1/4"	M14 x 1.5	.86	.86	1.10	5.08	2.91	2.60
FF04-F-10L	FF04-M-10L	6.3	1/4"	M16 x 1.5	.86	.86	1.10	5.08	2.91	2.60
FF04-F-12L	FF04-M-12L	6.3	1/4"	M18 x 1.5	.86	.86	1.10	5.08	2.91	2.60
FF04-F-08S	FF04-M-08S	6.3	1/4"	M16 x 1.5	.86	.86	1.10	5.16	2.95	2.64
FF04-F-10S	FF04-M-10S	6.3	1/4"	M18 x 1.5	.86	.86	1.26	5.16	2.95	2.64
FF04-F-12S	FF04-M-12S	6.3	1/4"	M20 x 1.5	.86	.86	1.26	5.16	2.95	2.64
FF06-F-08L	FF06-M-08L	10	3/8"	M14 x 1.5	1.18	1.18	1.26	5.71	3.46	2.87
FF06-F-10L	FF06-M-10L	10	3/8"	M16 x 1.5	1.18	1.18	1.26	5.71	3.46	2.87
FF06-F-12L	FF06-M-12L	10	3/8"	M18 x 1.5	1.18	1.18	1.26	5.71	3.46	2.87
FF06-F-15L	FF06-M-15L	10	3/8"	M22 x 1.5	1.18	1.18	1.26	5.79	3.50	2.91
FF06-F-18L	FF06-M-18L	10	3/8"	M26 x 1.5	1.18	1.18	1.26	5.79	3.50	2.91
FF06-F-10S	FF06-M-10S	10	3/8"	M18 x 1.5	1.18	1.18	1.26	5.79	3.50	2.91
FF06-F-12S	FF06-M-12S	10	3/8"	M20 x 1.5	1.18	1.18	1.26	5.79	3.50	2.91
FF06-F-14S	FF06-M-14S	10	3/8"	M22 x 1.5	1.18	1.18	1.26	5.95	3.58	2.99
FF06-F-16S	FF06-M-16S	10	3/8"	M24 x 1.5	1.18	1.18	1.26	5.95	3.58	2.99
FF08-F-12L	FF08-M-12L	12.5	1/2"	M18 x 1.5	1.42	1.42	1.50	6.50	3.82	3.35
FF08-F-15L	FF08-M-15L	12.5	1/2"	M22 x 1.5	1.42	1.42	1.50	6.57	3.86	3.39
FF08-F-18L	FF08-M-18L	12.5	1/2"	M26 x 1.5	1.42	1.42	1.50	6.57	3.86	3.39
FF08-F-22L	FF08-M-22L	12.5	1/2"	M30 x 1.5	1.42	1.42	1.50	7.13	4.13	3.66
FF08-F-10S	FF08-M-10S	12.5	1/2"	M18 x 1.5	1.42	1.42	1.50	6.57	3.86	3.39
FF08-F-12S	FF08-M-12S	12.5	1/2"	M20 x 1.5	1.42	1.42	1.50	6.57	3.86	3.39
FF08-F-14S	FF08-M-14S	12.5	1/2"	M22 x 1.5	1.42	1.42	1.50	6.65	3.86	3.46
FF08-F-16S	FF08-M-16S	12.5	1/2"	M24 x 1.5	1.42	1.42	1.50	6.65	3.86	3.46
FF08-F-20S	FF08-M-20S	12.5	1/2"	M30 x 2	1.42	1.42	1.50	6.65	3.94	3.46
FF10-F-12L	FF10-M-12L	16	5/8"	M18 x 1.5	1.42	1.42	1.65	6.54	3.90	3.35
FF10-F-15L	FF10-M-15L	16	5/8"	M22 x 1.5	1.42	1.42	1.65	6.61	3.94	3.39
FF10-F-18L	FF10-M-18L	16	5/8"	M26 x 1.5	1.42	1.42	1.65	6.61	3.94	3.39
FF10-F-22L	FF10-M-22L	16	5/8"	M30 x 1.5	1.42	1.42	1.65	7.17	4.21	3.66
FF10-F-10S	FF10-M-10S	16	5/8"	M18 x 1.5	1.42	1.42	1.65	6.61	3.94	3.39
FF10-F-12S	FF10-M-12S	16	5/8"	M20 x 1.5	1.42	1.42	1.65	6.61	3.94	3.39
FF10-F-14S	FF10-M-14S	16	5/8"	M22 x 1.5	1.42	1.42	1.65	6.69	3.94	3.46
FF10-F-16S	FF10-M-16S	16	5/8"	M24 x 1.5	1.42	1.42	1.65	6.69	3.94	3.46
FF10-F-20S	FF10-M-20S	16	5/8"	M30 x 2	1.42	1.42	1.65	6.69	4.02	3.46
FF12-F-18L	FF12-M-18L	19	3/4"	M26 x 1.5	1.61	1.61	1.89	7.91	4.80	3.98
FF12-F-22L	FF12-M-22L	19	3/4"	M30 x 2	1.61	1.61	1.89	7.91	4.80	3.98
FF12-F-28L	FF12-M-28L	19	3/4"	M36 x 2	1.61	1.61	1.89	7.91	4.80	3.98
FF12-F-20S	FF12-M-20S	19	3/4"	M30 x 2	1.61	1.61	1.89	8.07	4.88	4.06
FF12-F-25S	FF12-M-25S	19	3/4"	M36 x 2	1.61	1.61	1.89	8.23	4.96	4.13
FF12-F-30S	FF12-M-30S	19	3/4"	M42 x 2	1.61	1.61	1.89	8.39	5.04	4.21

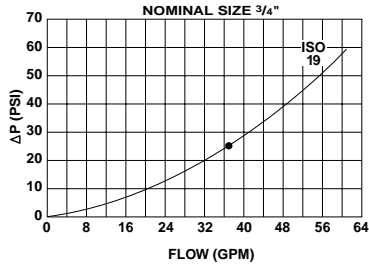
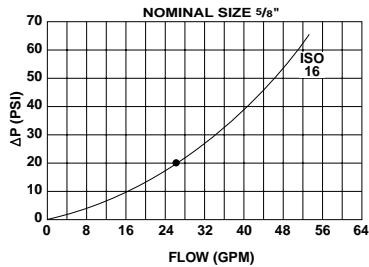
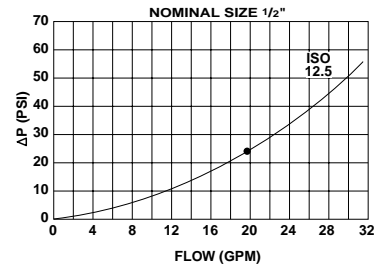
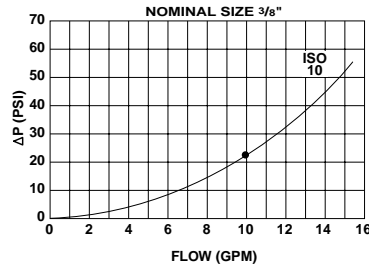
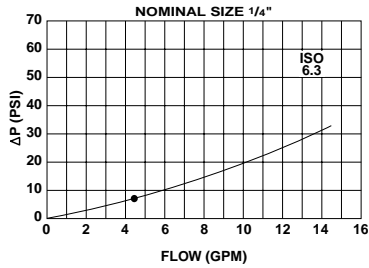
NOTE: MALE AND FEMALE METRIC THREADS AVAILABLE, CONTACT PCI FOR DETAILS.  
LOCKING SLEEVE STANDARD ON ALL SIZE COUPLERS.



# TECHNICAL DATA – BULKHEAD STEEL COUPLINGS

NOMINAL SIZE	ISO SIZE	MAXIMUM WORKING PRESSURE	RATED FLOW	MINIMUM BURST-PLUG	MINIMUM BURST COUPLER	MINIMUM BURST CONNECTED	FLUID SPILLAGE
1/4"	6.3	5000 PSI	4.8 GPM	28,275 PSI	23,925 PSI	33,350 PSI	0.008 cc
3/8"	10	5000 PSI	10.0 GPM	29,000 PSI	21,025 PSI	20,590 PSI	0.010 cc
1/2"	12.5	5000 PSI	19.8 GPM	25,375 PSI	21,750 PSI	23,925 PSI	0.012 cc
5/8"	16	5000 PSI	26.4 GPM	24,255 PSI	21,750 PSI	23,200 PSI	0.015 cc
3/4"	19	5000 PSI	37.0 GPM	20,580 PSI	20,580 PSI	20,300 PSI	0.020 cc

## PERFORMANCE:



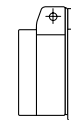
## ACCESSORIES – DUST PROTECTORS

NOMINAL SIZE	ISO SIZE	AUTOMATIC DUST CAP PART NUMBER	COLOR	MATERIAL
3/8"	10	TFFA-38-R	RED	NYLON
3/8"	10	TFFA-38-Y	YELLOW	NYLON
3/8"	10	TFFA-38-G	GREEN	NYLON
3/8"	10	TFFA-38-B	BLUE	NYLON
3/8"	10	TFFA-38-BK	BLACK	NYLON



PRESS FITS ON COUPLER HALF ONLY.

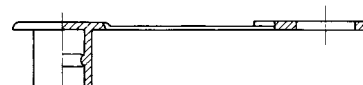
1/2"	12.5	TFFA-34-R	RED	NYLON
1/2"	12.5	TFFA-34-Y	YELLOW	NYLON
1/2"	12.5	TFFA-34-G	GREEN	NYLON
1/2"	12.5	TFFA-34-B	BLUE	NYLON
1/2"	12.5	TFFA-34-BK	BLACK	NYLON



NOMINAL SIZE	ISO SIZE	MANUAL DUST CAP FOR COUPLER	COLOR	MATERIAL
3/8"	10	FF06-FC	RED	RUBBER
1/2"	12.5	FF08-FC	RED	RUBBER
3/4"	19	FF12-FC	RED	RUBBER

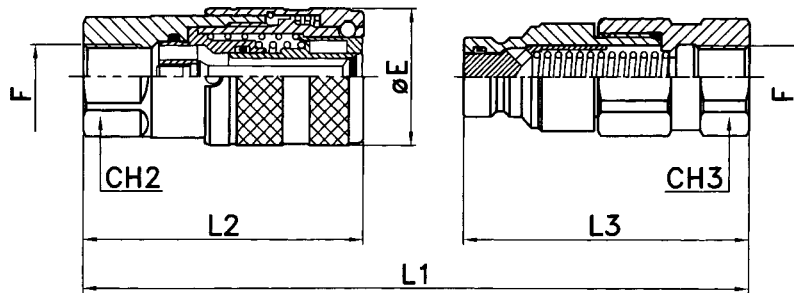


NOMINAL SIZE	ISO SIZE	MANUAL DUST CAP FOR PLUG	COLOR	MATERIAL
3/8"	10	FF06-MC	RED	RUBBER
1/2"	12.5	FF08-MC	RED	RUBBER
3/4"	19	FF12-MC	RED	RUBBER



NOTE: STANDARD COATING IS ZINC GREEN OR ZINC YELLOW  
QPQ COATING AVAILABLE

# FFS SERIES “316” STAINLESS STEEL – FLUSH FACE COUPLERS



DIRECT INTERCHANGE TO:	
NAME	SERIES
PARKER	FS
FASTER	2 FFI-2
HOLMBURY	FL

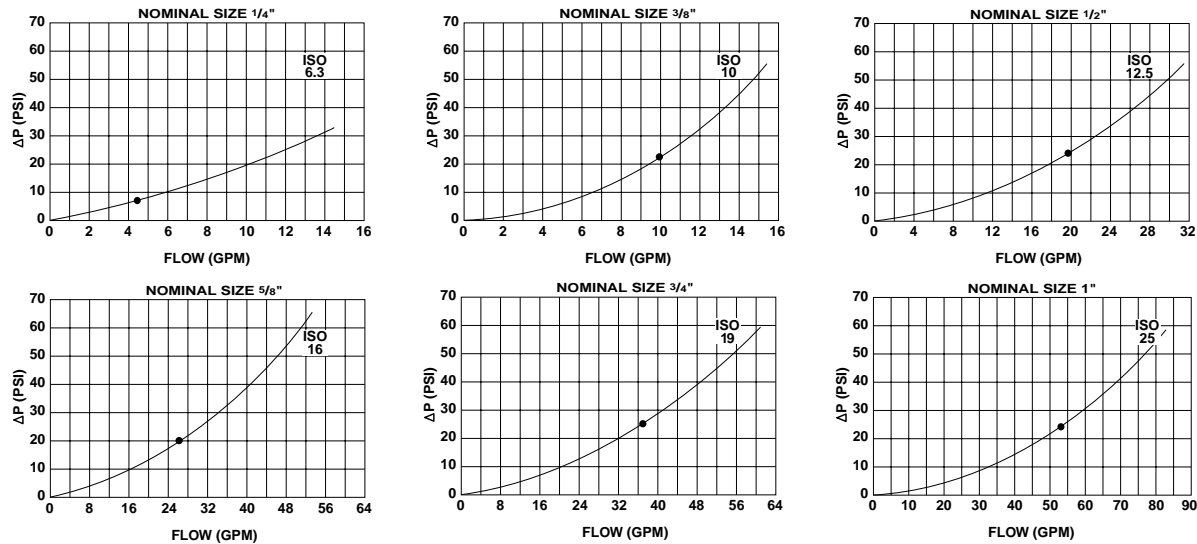
COUPLER PART NUMBER	PLUG PART NUMBER	ISO SIZE	NOMINAL SIZE	THREAD F	CH2	CH3	ØE	L1	L2	L3
FFS04-N14F	FFS04-N14M	6.3	1/4"	1/4" NPTF	.86	.86	1.10	3.94	2.32	2.05
FFS04-B14F	FFS04-B14M	6.3	1/4"	1/4" BSPP	.86	.86	1.10	3.94	2.32	2.05
FFS04-S916F	FFS04-S916M	6.3	1/4"	9/16-18 UNF	.86	.86	1.10	3.94	2.32	2.05
FFS06-N38F	FFS06-N38M	10	3/8"	3/8" NPTF	1.18	1.18	1.26	4.76	2.87	2.52
FFS06-B38F	FFS06-B38M	10	3/8"	3/8" BSPP	1.18	1.18	1.26	4.64	2.87	2.40
FFS06-N12F	FFS06-N12M	10	3/8"	1/2" NPTF	1.18	1.18	1.26	4.76	2.87	2.52
FFS06-B12F	FFS06-B12M	10	3/8"	1/2" BSPP	1.18	1.18	1.26	4.64	2.87	2.40
FFS06-S34F	FFS06-S34M	10	3/8"	3/4-16 UNF	1.18	1.18	1.26	4.64	2.87	2.40
FFS08-N34F	FFS08-N34M	12.5	1/2"	3/4" NPTF	1.42	1.42	1.50	5.35	3.15	2.87
FFS08-B34F	FFS08-B34M	12.5	1/2"	3/4" BSPP	1.42	1.42	1.50	5.35	3.15	2.87
FFS08-S1116F	FFS08-S1116M	12.5	1/2"	1 1/16-12 UNF	1.42	1.42	1.50	5.59	3.30	2.95
FFS10-N34F	FFS10-N34M	16	5/8"	3/4" NPTF	1.42	1.42	1.65	5.39	3.23	2.87
FFS10-B34F	FFS10-B34M	16	5/8"	3/4" BSPP	1.42	1.42	1.65	5.39	3.23	2.87
FFS10-S1116F	FFS10-S1116M	16	5/8"	1 1/16-12 UNF	1.42	1.42	1.65	5.63	3.39	2.95
FFS12-N1F	FFS12-N1M	19	3/4"	1" NPTF	1.61	1.61	1.89	6.38	3.86	3.39
FFS12-B1F	FFS12-B1M	19	3/4"	1" BSPP	1.61	1.61	1.89	6.38	3.86	3.39
FFS12-S1516F	FFS12-S1516M	19	3/4"	1 5/16-12 UNF	1.61	1.61	1.89	6.30	3.43	3.43
FFS16-N114F	FFS16-N114M	25	1"	1 1/4" NPTF	2.17	2.17	2.17	6.97	4.33	3.54
FFS16-B114F	FFS16-B114M	25	1"	1 1/4" BSPP	2.17	2.17	2.17	6.97	4.33	3.54
FFS16-S158F	FFS16-S158M	25	1"	1 5/8-12 UNF	2.17	2.17	2.17	6.97	4.33	3.54

NOTE: LOCKING SLEEVE STANDARD ON ALL SIZE COUPLERS.

# TECHNICAL DATA – STAINLESS STEEL COUPLINGS

NOMINAL SIZE	ISO SIZE	MAXIMUM WORKING PRESSURE	RATED FLOW	MINIMUM BURST-PLUG	MINIMUM BURST COUPLER	MINIMUM BURST CONNECTED	FLUID SPILLAGE
1/4"	6.3	3625 PSI	4.8 GPM	CF	CF	CF	0.008 cc
3/8"	10	3625 PSI	10.0 GPM	26,100 PSI	15,225 PSI	29,000 PSI	0.010 cc
1/2"	12.5	3625 PSI	19.8 GPM	22,475 PSI	14,790 PSI	18,850 PSI	0.012 cc
5/8"	16	3625 PSI	26.4 GPM	CF	CF	CF	0.015 cc
3/4"	19	3625 PSI	37.0 GPM	CF	CF	CF	0.020 cc
1"	25	3625 PSI	52.8 GPM	CF	CF	CF	0.030 cc

## PERFORMANCE:



## ACCESSORIES – DUST PROTECTORS

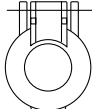
NOMINAL SIZE	ISO SIZE	AUTOMATIC DUST CAP PART NUMBER	COLOR	MATERIAL
3/8"	10	TFFA-38-R	RED	NYLON
3/8"	10	TFFA-38-Y	YELLOW	NYLON
3/8"	10	TFFA-38-G	GREEN	NYLON
3/8"	10	TFFA-38-B	BLUE	NYLON
3/8"	10	TFFA-38-BK	BLACK	NYLON
1/2"	12.5	TFFA-34-R	RED	NYLON
1/2"	12.5	TFFA-34-Y	YELLOW	NYLON
1/2"	12.5	TFFA-34-G	GREEN	NYLON
1/2"	12.5	TFFA-34-B	BLUE	NYLON
1/2"	12.5	TFFA-34-BK	BLACK	NYLON


NOMINAL SIZE	ISO SIZE	MANUAL DUST CAP FOR COUPLER	COLOR	MATERIAL
3/8"	10	FF06-FC	RED	RUBBER
1/2"	12.5	FF08-FC	RED	RUBBER
3/4"	19	FF12-FC	RED	RUBBER


  

NOMINAL SIZE	ISO SIZE	MANUAL DUST CAP FOR PLUG	COLOR	MATERIAL
3/8"	10	FF06-MC	RED	RUBBER
1/2"	12.5	FF08-MC	RED	RUBBER
3/4"	19	FF12-MC	RED	RUBBER

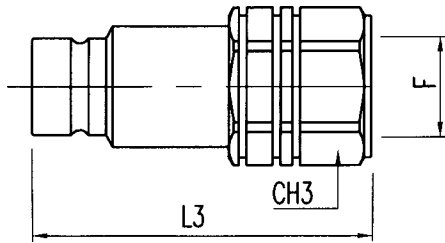


PRESS FITS ON  
COUPLER HALF ONLY.





# 3FF SERIES ISO 16028 CONNECT UNDER PRESSURE FLUSH FACE PLUGS

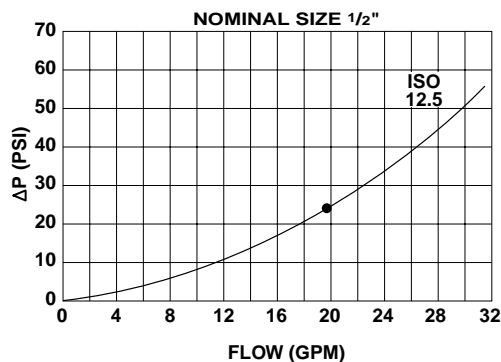


DIRECT INTERCHANGE TO:	
NAME	SERIES
PARKER	FEC
SNAP-TITE	CP 74
FASTER	3 FFI
HOLMBURY	APM

PLUG PART NUMBER	ISO SIZE	NOMINAL SIZE	THREAD F	CH3	L3
3FF08-N12M	12.5	1/2"	1/2" NPT F	1.42	3.34
3FF08-N34M	12.5	1/2"	3/4" NPT F	1.42	3.37
3FF08-S78M	12.5	1/2"	7/8"-14 UNF	1.42	3.37
3FF08-S1116M	12.5	1/2"	1 1/16"-12 UNF	1.42	3.37
3FF08-B12M	12.5	1/2"	1/2" BSPP	1.42	3.30
3FF08-B34M	12.5	1/2"	3/4" BSPP	1.42	3.37

NOTE: ISO SIZE 10, 16, 19 AVAILABLE SOON. CONTACT PCI FOR DETAILS.

## PERFORMANCE:



### NOW AVAILABLE:

3FF06  
3FF12  
3FF16

CONTACT PCI FOR DETAILS.

## TECHNICAL DATA – STEEL PLUGS

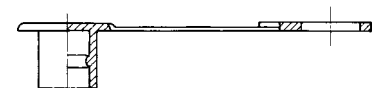
NOMINAL SIZE	ISO SIZE	MAXIMUM WORKING PRESSURE	RATED FLOW	MINIMUM BURST	FLUID SPILLAGE
1/2"	12.5	5075 PSI	19.7 GPM	25,375 PSI	0.012 cc

## ACCESSORIES – DUST PROTECTORS

NOMINAL SIZE	ISO SIZE	MANUAL DUST CAP	COLOR	MATERIAL
1/2"	12.5	FF08-MC	RED	RUBBER

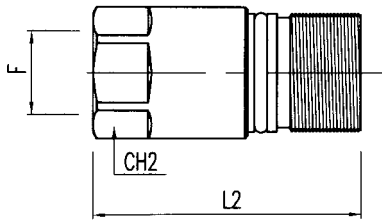
NOTE: 3FF SERIES PLUGS ARE CONNECTABLE UNDER PRESSURE UP TO 3625 PSI WHEN THE COUPLER HAS FREE BACK FLOW.

AVAILABLE IN YELLOW OR GREEN ZINC COATING  
SPECIAL ORDER FOR QPQ COATING

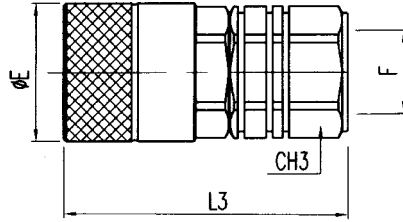


# 3FVV SERIES FLUSH FACE – SCREW TOGETHER COUPLINGS

## COUPLER HALF



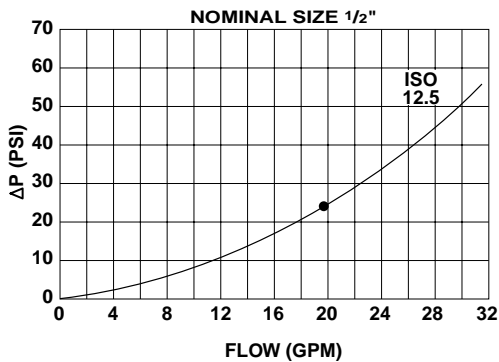
## PLUG HALF



COUPLER PART NUMBER	PLUG PART NUMBER	ISO SIZE	NOMINAL SIZE	THREAD F	CH2	CH3	ØE	L2	L3
3FVV08-N12F	3FVV08-N12M	12.5	1/2"	1/2" NPT F	1.42	1.42	1.65	3.29	3.43
3FVV08-N34F	3FVV08-N34M	12.5	1/2"	3/4" NPT F	1.42	1.42	1.65	3.29	3.44
3FVV08-S78F	3FVV08-S78M	12.5	1/2"	7/8"-14 UNF	1.42	1.42	1.65	3.21	3.44
3FVV08-S1116F	3FVV08-S1116M	12.5	1/2"	1 1/16"-12 UNF	1.42	1.42	1.65	3.29	3.44
3FVV08-B12F	3FVV08-B12M	12.5	1/2"	1/2" BSPP	1.42	1.42	1.65	3.29	3.39
3FVV08-B34F	3FVV08-B34M	12.5	1/2"	3/4" BSPP	1.42	1.42	1.65	3.29	3.44

NOTE: ISO SIZE 10 AVAILABLE SOON. CONTACT PCI FOR DETAILS.

## PERFORMANCE:



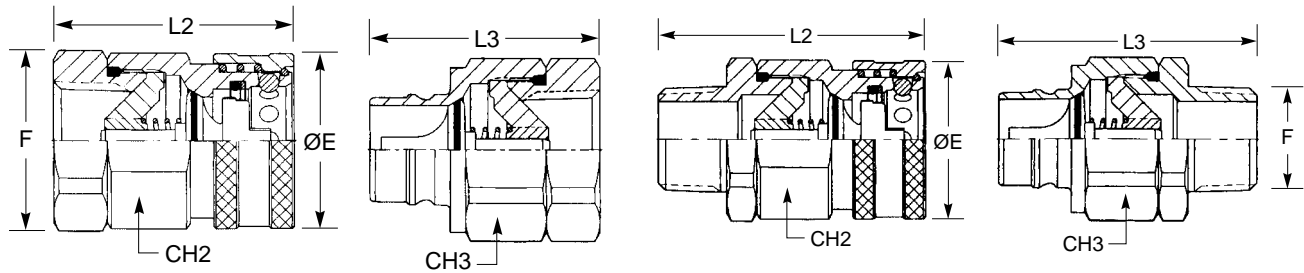
## TECHNICAL DATA

NOMINAL SIZE	ISO SIZE	MAXIMUM WORKING PRESSURE	RATED FLOW	MINIMUM BURST-PLUG	MINIMUM BURST COUPLER	MINIMUM BURST CONNECTED	FLUID SPILLAGE
1/2"	12.5	5075 PSI	20 GPM	21,750 PSI	21,750 PSI	21,750 PSI	0.012 cc

ACCESSORIES – DUST PROTECTORS  
CONTACT FACTORY

NOTE: 3FVV SERIES COUPLINGS ARE CONNECTABLE UNDER PRESSURE WITH THE PLUG UP TO 3625 PSI AND THE COUPLER UP TO 1450 PSI.

# TNV SERIES SNAP-TITE INTERCHANGE QUICK COUPLINGS – VALVED

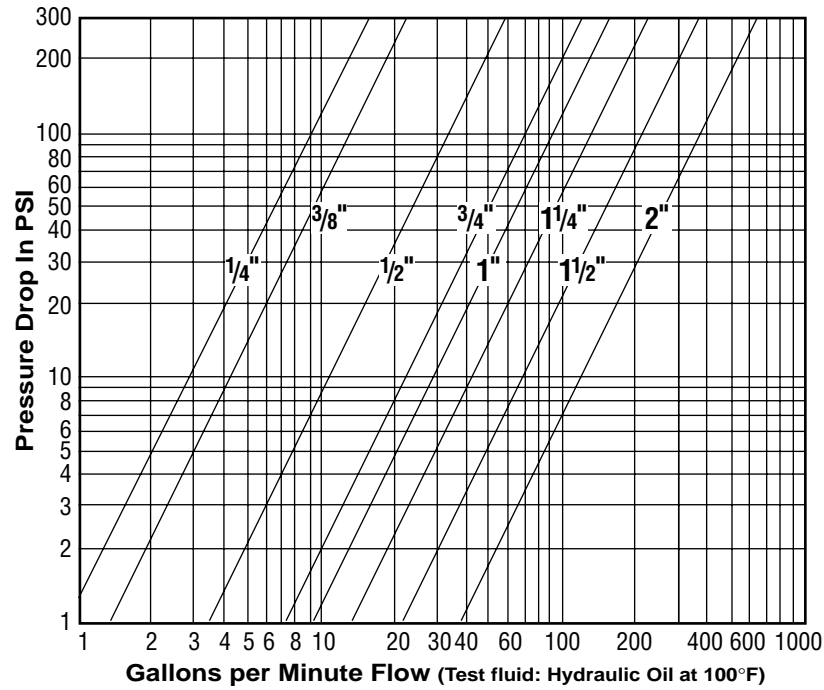


COUPLER PART NUMBER	PLUG PART NUMBER	NOMINAL SIZE	MATERIAL	WORKING PRESSURE	THREAD F	CH2	CH3	ØE	L2	L3
TNV-04-F	TNV-04-M	1/4"	STEEL	6500 PSI	1/4" NPT F	.88	.88	.99	1.68	1.62
TNV-04-F-02	TNV-04-M-02		STEEL	6500 PSI	1/4" NPT M	.88	.88	.99	2.12	2.06
TNV-04-F-5	TNV-04-M-5		BRASS	2250 PSI	1/4" NPT F	.88	.88	.99	1.68	1.62
TNV-04-F-5-02	TNV-04-M-5-02		BRASS	2250 PSI	1/4" NPT M	.88	.88	.99	2.12	2.06
TNV-04-F-2	TNV-04-M-2		316 SS	5000 PSI	1/4" NPT F	.88	.88	.99	1.68	1.62
TNV-04-F-2-02	TNV-04-M-2-02		316 SS	5000 PSI	1/4" NPT M	.88	.88	.99	2.12	2.06
TNV-06-F	TNV-06-M	3/8"	STEEL	4500 PSI	3/8" NPT F	1.00	1.00	1.18	1.94	1.87
TNV-06-F-02	TNV-06-M-02		STEEL	4500 PSI	3/8" NPT M	1.00	1.00	1.18	2.32	2.25
TNV-06-F-5	TNV-06-M-5		BRASS	2250 PSI	3/8" NPT F	1.00	1.00	1.18	1.94	1.87
TNV-06-F-5-02	TNV-06-M-5-02		BRASS	2250 PSI	3/8" NPT M	1.00	1.00	1.18	2.32	2.25
TNV-06-F-2	TNV-06-M-2		316 SS	4000 PSI	3/8" NPT F	1.00	1.00	1.18	1.94	1.87
TNV-06-F-2-02	TNV-06-M-2-02		316 SS	4000 PSI	3/8" NPT M	1.00	1.00	1.18	2.32	2.25
TNV-08-F	TNV-08-M	1/2"	STEEL	4000 PSI	1/2" NPT F	1.19	1.19	1.36	2.13	1.99
TNV-08-F-02	TNV-08-M-02		STEEL	4000 PSI	1/2" NPT M	1.19	1.19	1.36	2.54	2.40
TNV-08-F-5	TNV-08-M-5		BRASS	2000 PSI	1/2" NPT F	1.19	1.19	1.36	2.13	1.99
TNV-08-F-5-02	TNV-08-M-5-02		BRASS	2000 PSI	1/2" NPT M	1.19	1.19	1.36	2.54	2.40
TNV-08-F-2	TNV-08-M-2		316 SS	3750 PSI	1/2" NPT F	1.19	1.19	1.36	2.13	1.99
TNV-08-F-2-02	TNV-08-M-2-02		316 SS	3750 PSI	1/2" NPT M	1.19	1.19	1.36	2.54	2.40
TNV-12-F	TNV-12-M	3/4"	STEEL	3500 PSI	3/4" NPT F	1.50	1.50	1.67	2.47	2.31
TNV-12-F-02	TNV-12-M-02		STEEL	3500 PSI	3/4" NPT M	1.50	1.50	1.67	3.07	2.91
TNV-12-F-5	TNV-12-M-5		BRASS	2000 PSI	3/4" NPT F	1.50	1.50	1.67	2.47	2.31
TNV-12-F-5-02	TNV-12-M-5-02		BRASS	2000 PSI	3/4" NPT M	1.50	1.50	1.67	3.07	2.91
TNV-12-F-2	TNV-12-M-2		316 SS	2000 PSI	3/4" NPT F	1.50	1.50	1.67	2.47	2.31
TNV-12-F-2-02	TNV-12-M-2-02		316 SS	2000 PSI	3/4" NPT M	1.50	1.50	1.67	3.07	2.91
TNV-16-F	TNV-16-M	1"	STEEL	2000 PSI	1" NPT F	1.88	1.88	2.06	2.70	2.60
TNV-16-F-02	TNV-16-M-02		STEEL	2000 PSI	1" NPT M	1.88	1.88	2.06	3.32	3.22
TNV-16-F-5	TNV-16-M-5		BRASS	1750 PSI	1" NPT F	1.88	1.88	2.06	2.70	2.60
TNV-16-F-5-02	TNV-16-M-5-02		BRASS	1750 PSI	1" NPT M	1.88	1.88	2.06	3.32	3.22
TNV-16-F-2	TNV-16-M-2		316 SS	2000 PSI	1" NPT F	1.88	1.88	2.06	2.70	2.60
TNV-16-F-2-02	TNV-16-M-2-02		316 SS	2000 PSI	1" NPT M	1.88	1.88	2.06	3.32	3.22
TNV-20-F	TNV-20-M	1 1/4"	STEEL	1750 PSI	1 1/4" NPT F	2.00	2.00	2.19	3.54	3.41
TNV-20-F-02	TNV-20-M-02		STEEL	1750 PSI	1 1/4" NPT M	2.00	2.00	2.19	3.59	3.46
TNV-20-F-5	TNV-20-M-5		BRASS	350 PSI	1 1/4" NPT F	2.00	2.00	2.19	3.54	3.41
TNV-20-F-5-02	TNV-20-M-5-02		BRASS	350 PSI	1 1/4" NPT M	2.00	2.00	2.19	3.59	3.46
TNV-20-F-2	TNV-20-M-2		316 SS	1500 PSI	1 1/4" NPT F	2.00	2.00	2.19	3.54	3.41
TNV-20-F-2-02	TNV-20-M-2-02		316 SS	1500 PSI	1 1/4" NPT M	2.00	2.00	2.19	3.59	3.46
TNV-24-F	TNV-24-M	1 1/2"	STEEL	1500 PSI	1 1/2" NPT F	2.50	2.50	2.74	3.27	3.41
TNV-24-F-02	TNV-24-M-02		STEEL	1500 PSI	1 1/2" NPT M	2.50	2.50	2.74	4.01	3.85
TNV-24-F-5	TNV-24-M-5		BRASS	350 PSI	1 1/2" NPT F	2.50	2.50	2.74	3.27	3.41
TNV-24-F-5-02	TNV-24-M-5-02		BRASS	350 PSI	1 1/2" NPT M	2.50	2.50	2.74	4.01	3.85
TNV-24-F-2	TNV-24-M-2		316 SS	1500 PSI	1 1/2" NPT F	2.50	2.50	2.74	3.27	3.41
TNV-24-F-2-02	TNV-24-M-2-02		316 SS	1500 PSI	1 1/2" NPT M	2.50	2.50	2.74	4.01	3.85
TNV-32-F	TNV-32-M	2"	STEEL	1000 PSI	2" NPT F	3.50	3.50	3.83	3.92	3.72
TNV-32-F-02	TNV-32-M-02		STEEL	1000 PSI	2" NPT M	3.50	3.50	3.83	4.54	4.34
TNV-32-F-5	TNV-32-M-5		BRASS	300 PSI	2" NPT F	3.50	3.50	3.83	3.92	3.72
TNV-32-F-5-02	TNV-32-M-5-02		BRASS	300 PSI	2" NPT M	3.50	3.50	3.83	4.54	4.34
TNV-32-F-2	TNV-32-M-2		316 SS	1000 PSI	2" NPT F	3.50	3.50	3.83	3.92	3.72
TNV-32-F-2-02	TNV-32-M-2-02		316 SS	1000 PSI	2" NPT M	3.50	3.50	3.83	4.54	4.34

NOTE: SAE THREADS AVAILABLE – CONTACT FACTORY FOR DETAILS

# TECHNICAL DATA – TNV SERIES

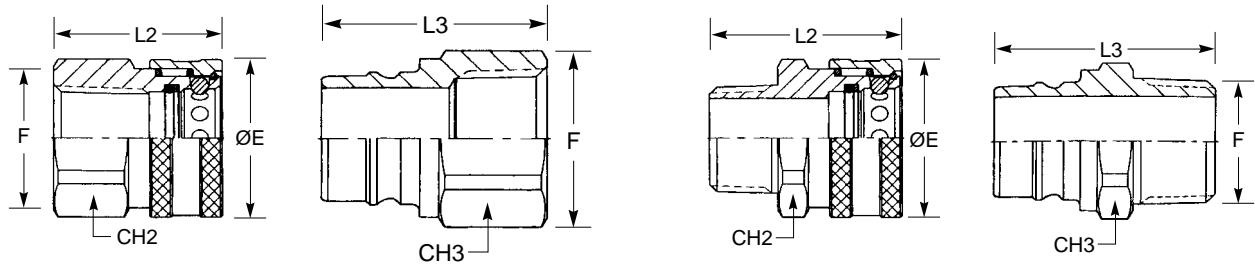
## PERFORMANCE:



NOTE: ABOVE CHART ALSO REPRESENTS BRASS AND STAINLESS STEEL PRESSURE DROP PERFORMANCE.

FOR SPECIFIC BURST PRESSURE AND FLUID SPILLAGE OF EACH PART, PLEASE CONTACT PCI FOR DETAILS.

# TNL SERIES SNAP-TITE INTERCHANGE QUICK COUPLINGS –NON-VALVED



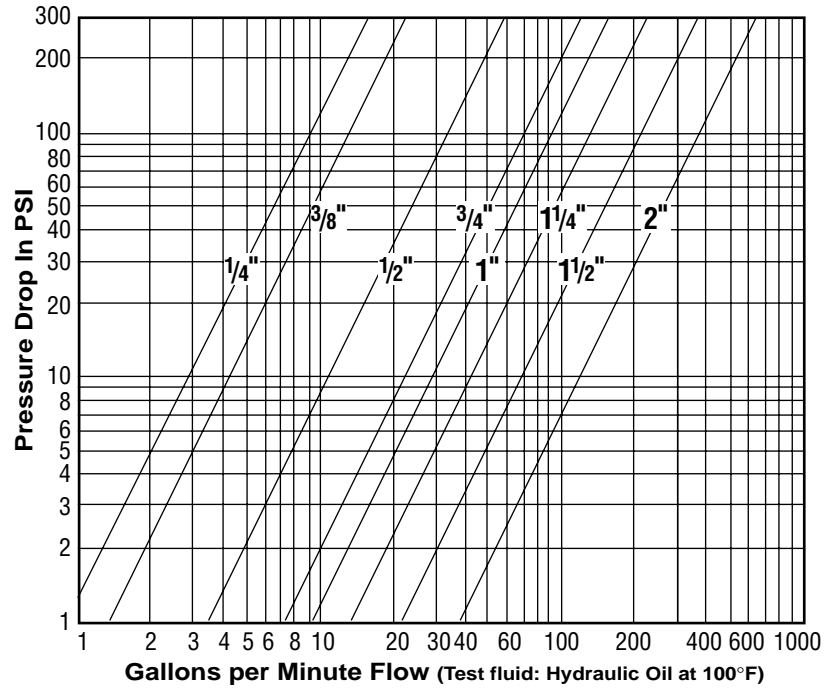
COUPLER PART NUMBER	PLUG PART NUMBER	NOMINAL SIZE	MATERIAL	WORKING PRESSURE	THREAD F	CH2	CH3	ØE	L2	L3
TNL-04-F	TNL-04-M	1/4"	STEEL	11,000 PSI	1/4" NPT F	.88	.63	.99	1.36	1.27
TNL-04-F-02	TNL-04-M-02		STEEL	11,000 PSI	1/4" NPT M	.88	.63	.99	1.82	1.52
TNL-04-F-5	TNL-04-M-5		BRASS	4,000 PSI	1/4" NPT F	.88	.63	.99	1.36	1.27
TNL-04-F-5-02	TNL-04-M-5-02		BRASS	4,000 PSI	1/4" NPT M	.88	.63	.99	1.82	1.52
TNL-04-F-2	TNL-04-M-2		316 SS	10,000 PSI	1/4" NPT F	.88	.63	.99	1.36	1.27
TNL-04-F-2-02	TNL-04-M-2-02		316 SS	10,000 PSI	1/4" NPT M	.88	.63	.99	1.82	1.52
TNL-06-F	TNL-06-M	3/8"	STEEL	11,000 PSI	3/8" NPT F	.88	.81	1.18	1.50	1.41
TNL-06-F-02	TNL-06-M-02		STEEL	11,000 PSI	3/8" NPT M	.88	.81	1.18	1.76	1.72
TNL-06-F-5	TNL-06-M-5		BRASS	4,000 PSI	3/8" NPT F	.88	.81	1.18	1.50	1.41
TNL-06-F-5-02	TNL-06-M-5-02		BRASS	4,000 PSI	3/8" NPT M	.88	.81	1.18	1.76	1.72
TNL-06-F-2	TNL-06-M-2		316 SS	8,000 PSI	3/8" NPT F	.88	.81	1.18	1.50	1.41
TNL-06-F-2-02	TNL-06-M-2-02		316 SS	8,000 PSI	3/8" NPT M	.88	.81	1.18	1.76	1.72
TNL-08-F	TNL-08-M	1/2"	STEEL	11,000 PSI	1/2" NPT F	1.19	1.00	1.37	1.64	1.72
TNL-08-F-02	TNL-08-M-02		STEEL	11,000 PSI	1/2" NPT M	1.19	1.00	1.37	2.03	1.80
TNL-08-F-5	TNL-08-M-5		BRASS	4,000 PSI	1/2" NPT F	1.19	1.00	1.37	1.64	1.72
TNL-08-F-5-02	TNL-08-M-5-02		BRASS	4,000 PSI	1/2" NPT M	1.19	1.00	1.37	2.03	1.80
TNL-08-F-2	TNL-08-M-2		316 SS	8,000 PSI	1/2" NPT F	1.19	1.00	1.37	1.64	1.72
TNL-08-F-2-02	TNL-08-M-2-02		316 SS	8,000 PSI	1/2" NPT M	1.19	1.00	1.37	2.03	1.80
TNL-12-F	TNL-12-M	3/4"	STEEL	9,000 PSI	3/4" NPT F	1.50	1.19	1.67	1.96	1.86
TNL-12-F-02	TNL-12-M-02		STEEL	9,000 PSI	3/4" NPT M	1.50	1.19	1.67	2.29	2.19
TNL-12-F-5	TNL-12-M-5		BRASS	3,500 PSI	3/4" NPT F	1.50	1.19	1.67	1.96	1.86
TNL-12-F-5-02	TNL-12-M-5-02		BRASS	3,500 PSI	3/4" NPT M	1.50	1.19	1.67	2.29	2.19
TNL-12-F-2	TNL-12-M-2		316 SS	7,000 PSI	3/4" NPT F	1.50	1.19	1.67	1.96	1.86
TNL-12-F-2-02	TNL-12-M-2-02		316 SS	7,000 PSI	3/4" NPT M	1.50	1.19	1.67	2.29	2.19
TNL-16-F	TNL-16-M	1"	STEEL	6,000 PSI	1" NPT F	1.81	1.50	1.99	2.10	2.08
TNL-16-F-02	TNL-16-M-02		STEEL	6,000 PSI	1" NPT M	1.81	1.50	1.99	2.39	2.31
TNL-16-F-5	TNL-16-M-5		BRASS	3,000 PSI	1" NPT F	1.81	1.50	1.99	2.10	2.08
TNL-16-F-5-02	TNL-16-M-5-02		BRASS	3,000 PSI	1" NPT M	1.81	1.50	1.99	2.39	2.31
TNL-16-F-2	TNL-16-M-2		316 SS	4,000 PSI	1" NPT F	1.81	1.50	1.99	2.10	2.08
TNL-16-F-2-02	TNL-16-M-2-02		316 SS	4,000 PSI	1" NPT M	1.81	1.50	1.99	2.39	2.31
TNL-20-F	TNL-20-M	1 1/4"	STEEL	5,000 PSI	1 1/4" NPT F	2.00	1.88	2.19	2.28	2.22
TNL-20-F-02	TNL-20-M-02		STEEL	5,000 PSI	1 1/4" NPT M	2.00	1.88	2.19	2.78	2.14
TNL-20-F-5	TNL-20-M-5		BRASS	1,000 PSI	1 1/4" NPT F	2.00	1.88	2.19	2.28	2.22
TNL-20-F-5-02	TNL-20-M-5-02		BRASS	1,000 PSI	1 1/4" NPT M	2.00	1.88	2.19	2.78	2.14
TNL-20-F-2	TNL-20-M-2		316 SS	3,000 PSI	1 1/4" NPT F	2.00	1.88	2.19	2.28	2.22
TNL-20-F-2-02	TNL-20-M-2-02		316 SS	3,000 PSI	1 1/4" NPT M	2.00	1.88	2.19	2.78	2.14
TNL-24-F	TNL-24-M	1 1/2"	STEEL	5,000 PSI	1 1/2" NPT F	2.50	2.13	2.74	2.57	2.44
TNL-24-F-02	TNL-24-M-02		STEEL	5,000 PSI	1 1/2" NPT M	2.50	2.13	2.74	3.08	2.34
TNL-24-F-5	TNL-24-M-5		BRASS	1,000 PSI	1 1/2" NPT F	2.50	2.13	2.74	2.57	2.44
TNL-24-F-5-02	TNL-24-M-5-02		BRASS	1,000 PSI	1 1/2" NPT M	2.50	2.13	2.74	3.08	2.34
TNL-24-F-2	TNL-24-M-2		316 SS	3,000 PSI	1 1/2" NPT F	2.50	2.13	2.74	2.57	2.44
TNL-24-F-2-02	TNL-24-M-2-02		316 SS	3,000 PSI	1 1/2" NPT M	2.50	2.13	2.74	3.08	2.34
TNL-32-F	TNL-32-M	2"	STEEL	4,000 PSI	2" NPT F	3.25	2.75	3.56	2.48	2.60
TNL-32-F-02	TNL-32-M-02		STEEL	4,000 PSI	2" NPT M	3.25	2.50	3.56	3.10	2.74
TNL-32-F-5	TNL-32-M-5		BRASS	750 PSI	2" NPT F	3.25	2.75	3.56	2.48	2.60
TNL-32-F-5-02	TNL-32-M-5-02		BRASS	750 PSI	2" NPT M	3.25	2.50	3.56	3.10	2.74
TNL-32-F-2	TNL-32-M-2		316 SS	1,000 PSI	2" NPT F	3.25	2.75	3.56	2.48	2.60
TNL-32-F-2-02	TNL-32-M-2-02		316 SS	1,000 PSI	2" NPT M	3.25	2.50	3.56	3.10	2.74

NOTE: SAE THREADS AVAILABLE – CONTACT FACTORY FOR DETAILS



# TECHNICAL DATA – TNL SERIES

## PERFORMANCE:



NOTE: THIS CHART REPRESENTS A VALVED COUPLER AND NON-VALVED PLUG.

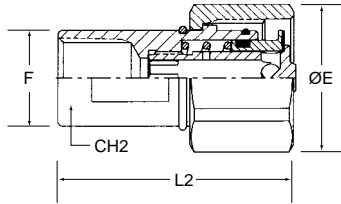
NOTE: ABOVE CHART ALSO REPRESENTS BRASS AND STAINLESS STEEL PRESSURE DROP PERFORMANCE.

FOR SPECIFIC BURST PRESSURE AND FLUID SPILLAGE OF EACH PART, PLEASE CONTACT PCI FOR DETAILS.

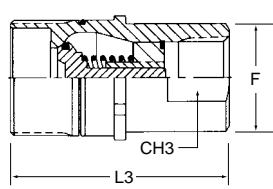
# FB SERIES WING NUT/HEX NUT – WET LINE COUPLINGS

## HEX STYLE

### COUPLER

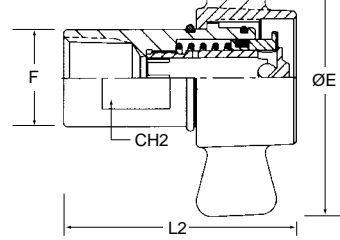


### PLUG

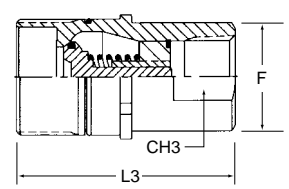


## WING STYLE

### COUPLER

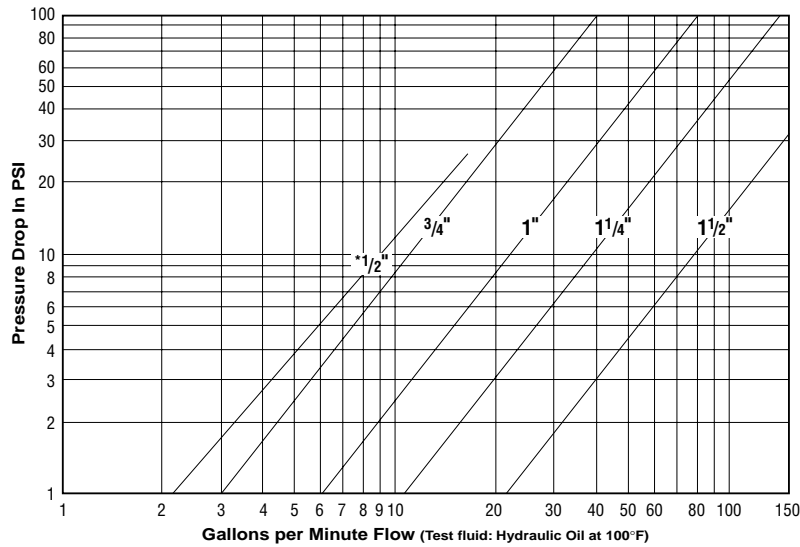


### PLUG



COUPLER PART NUMBER	PLUG PART NUMBER	NOMINAL SIZE	MATERIAL	WORKING PRESSURE	THREAD F	CH2	CH3	ØE	L2	L3
FB-08-F	FB-08-M	3/4"	BRASS	3000 PSI	1/2" NPTF	1.15	1.31	4.06	3.09	3.10
FB-08-F-H						1.15	1.31	1.92	3.09	3.10
FB-12-F	FB-12-M	3/4"	BRASS	3000 PSI	3/4" NPTF	1.15	1.31	4.06	3.09	3.10
FB-12-F-H						1.15	1.31	1.92	3.09	3.10
FB-16-F	FB-16-M	1"	BRASS	3000 PSI	1" NPTF	1.44	1.56	4.45	3.78	3.55
FB-16-F-H						1.44	1.56	2.33	3.78	3.55
FB-20-F	FB-20-M	1 1/4"	BRASS	2750 PSI	1 1/4" NPTF	1.78	1.88	5.20	3.97	3.71
FB-20-F-H						1.78	1.88	2.74	3.97	3.71
FB-24-F	FB-24-M	1 1/2"	BRASS	2500 PSI	1 1/2" NPTF	2.00	2.00	5.25	4.06	4.06
FB-24-F-H						2.00	2.00	3.01	4.06	4.06

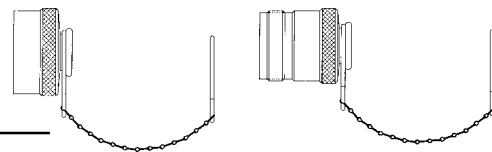
## PERFORMANCE:



\* Denotes 1/2" thread on 3/4" body configuration

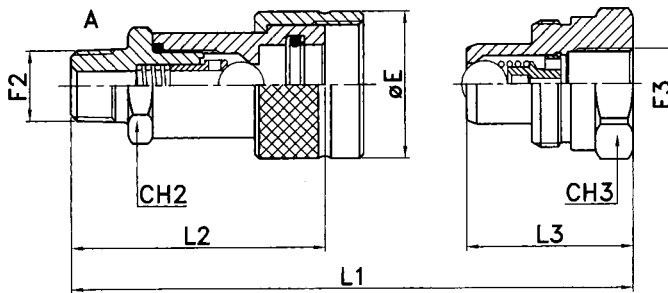
## ACCESSORIES – DUST PROTECTORS

NOMINAL SIZE	DUST PROTECTORS FOR PLUG	DUST PROTECTORS FOR COUPLER	MATERIAL
3/4"	FBF-12	FBM-12	BRASS
1"	FBF-16	FBM-16	BRASS
1 1/4"	FBF-20	FBM-20	BRASS
1 1/2"	FBF-24	FBM-24	BRASS

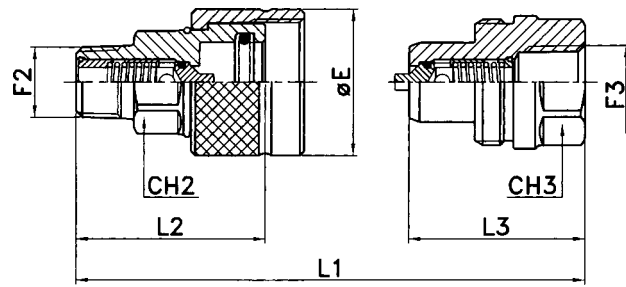


# PVV SERIES CONNECT UNDER PRESSURE HIGH PRESSURE QUICK COUPLINGS

## BALL STYLE



## POPPET STYLE

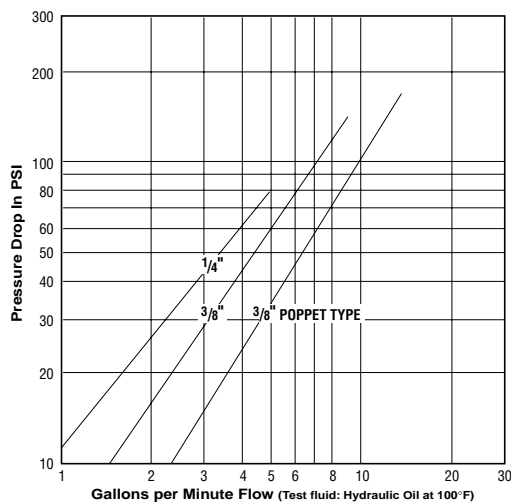


COUPLER PART NUMBER	PLUG PART NUMBER	NOMINAL SIZE	MATERIAL	WORKING PRESSURE	F2	F3	CH2	CH3	ØE	L1	L2	L3
PVV-14-F	PVV-14-M	1/4"	STEEL	10,000 PSI	1/4" NPTM	1/4" NPTF	.87	.75	1.18	3.19	2.09	1.54
PVV-38-F	PVV-38-M	3/8"	STEEL	10,000 PSI	3/8" NPTM	3/8" NPTF	.95	1.26	1.38	3.50	2.54	1.59
PVVP-38-F	PVVP-38-M	3/8"	STEEL	14,500 PSI	3/8" NPTM	3/8" NPTF	1.06	.87	1.38	2.85	1.81	1.67

## TECHNICAL DATA

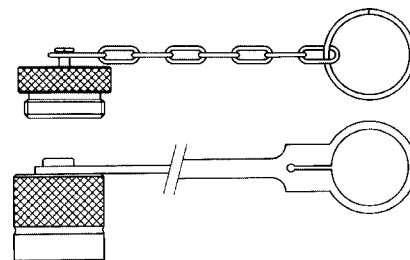
NOMINAL SIZE	MATERIAL	RATED FLOW	MINIMUM BURST PLUG	MINIMUM BURST COUPLER	MINIMUM BURST CONNECTED	FLUID SPILLAGE
1/4" BALL TYPE	STEEL	1.26 GPM	22,330 PSI	26,390 PSI	32,480 PSI	0.2 cc
3/8" BALL TYPE	STEEL	2.26 GPM	22,620 PSI	31,465 PSI	29,000 PSI	0.6 cc
3/8" POPPET TYPE	STEEL	2.53 GPM	58,000 PSI	58,000 PSI	58,000 PSI	1.7 cc

## PERFORMANCE:



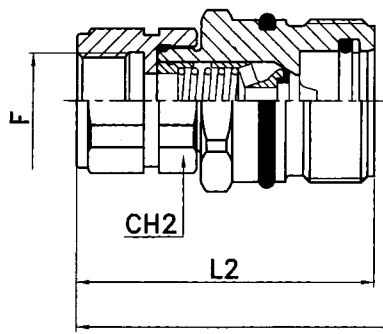
## ACCESSORIES – DUST PROTECTORS

NOMINAL SIZE	DUST PROTECTOR FOR PLUG	DUST PROTECTOR FOR COUPLER	MATERIAL
1/4"	TFP-14	TMP-14	STEEL/RUBBER
3/8"	TFP-38	TMP-38	STEEL/RUBBER

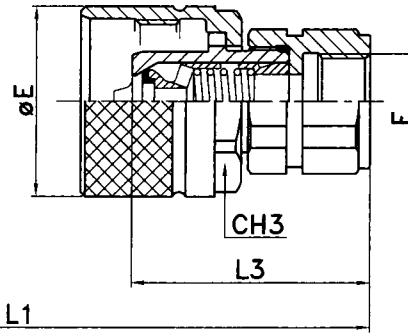


# VVP SERIES HIGH PRESSURE CONNECT UNDER PRESSURE QUICK COUPLINGS

## COUPLER HALF



## PLUG HALF



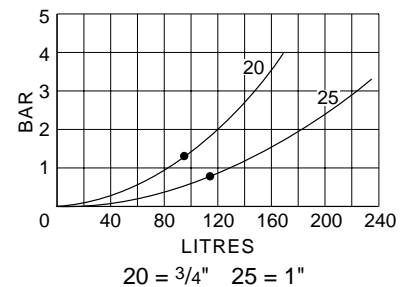
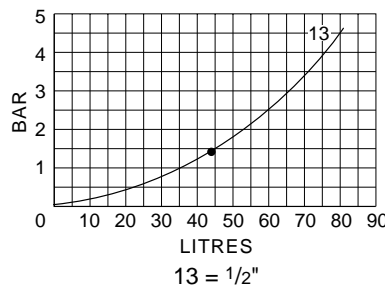
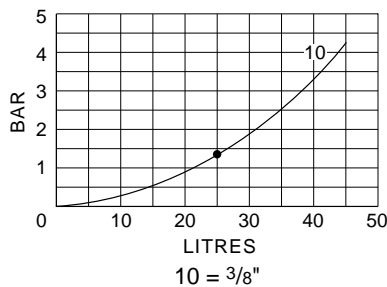
DIRECT INTERCHANGE TO:	
NAME	SERIES
FASTER	CVV

COUPLER PART NUMBER	PLUG PART NUMBER	NOMINAL SIZE	MATERIAL	WORKING PRESSURE	THREAD F	CH2	CH3	ØE	L1	L2	L3
VVP-38-14-F	VVP-38-14-M	3/8"	STEEL	6525 PSI	1/4" NPTF	.87	.87	1.34	3.86	2.52	1.93
VVP-38-38-F	VVP-38-38-M	3/8"	STEEL	6525 PSI	3/8" NPTF	.87	.87	1.34	3.86	2.52	1.93
VVP-12-38-F	VVP-12-38-M	1/2"	STEEL	5800 PSI	3/8" NPTF	1.18	1.18	1.65	4.29	2.76	2.21
VVP-12-12-F	VVP-12-12-M	1/2"	STEEL	5800 PSI	1/2" NPTF	1.18	1.18	1.65	4.29	2.76	2.21
VVP-34-12-F	VVP-34-12-M	3/4"	STEEL	5800 PSI	1/2" NPTF	1.42	1.42	1.87	5.08	3.31	2.60
VVP-34-34-F	VVP-34-34-M	3/4"	STEEL	5800 PSI	3/4" NPTF	1.42	1.42	1.87	5.20	3.39	2.64
VVP-1-34-F	VVP-1-34-M	1"	STEEL	4350 PSI	3/4" NPTF	1.61	1.61	2.17	5.98	3.94	3.07
VVP-1-1-F	VVP-1-1-M	1"	STEEL	4350 PSI	1" NPTF	1.61	1.61	2.17	5.98	3.94	3.07

## TECHNICAL DATA

NOMINAL SIZE	MATERIAL	RATED FLOW	MINIMUM BURST PLUG	MINIMUM BURST COUPLER	MINIMUM BURST CONNECTED	FLUID SPILLAGE
3/8"	STEEL	6.58 GPM	21,750 PSI	42,418 PSI	29,000 PSI	1.4 cc
1/2"	STEEL	11.32 GPM	18,850 PSI	20,300 PSI	21,170 PSI	2.7 cc
3/4"	STEEL	24.47 GPM	27,400 PSI	21,170 PSI	21,460 PSI	9.3 cc
1"	STEEL	29.74 GPM	15,660 PSI	15,950 PSI	15,515 PSI	16.0 cc

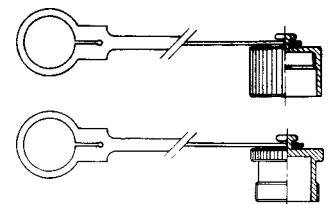
## PERFORMANCE:



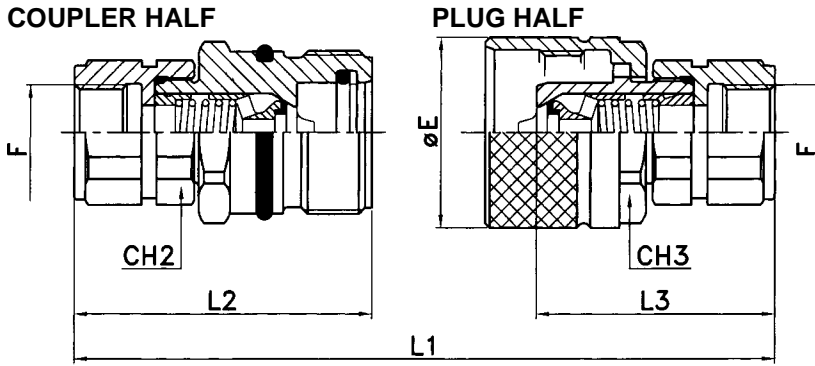
NOTE: 1 BAR = 14.5 PSI 3.8 LITERS = 1 US GALLON

## ACCESSORIES – DUST PROTECTORS

NOMINAL SIZE	DUST PROTECTOR FOR PLUG	DUST PROTECTOR FOR COUPLER	COLOR	MATERIAL
3/8"	VVF-38-R	VVM-38-R	RED	POLYETHYLENE
1/2"	VVF-12-R	VVM-12-R	RED	POLYETHYLENE
3/4"	VVF-34-R	VVM-34-R	RED	POLYETHYLENE
1"	VVF-1-R	VVM-1-R	RED	POLYETHYLENE



# VVX SERIES HIGH PRESSURE STAINLESS CONNECT UNDER PRESSURE QUICK COUPLINGS

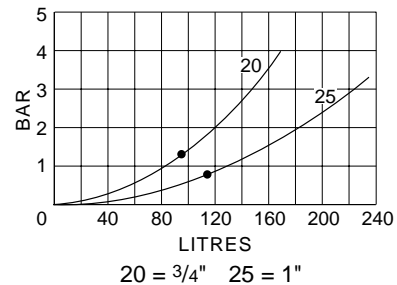
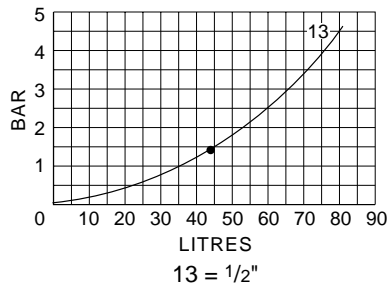
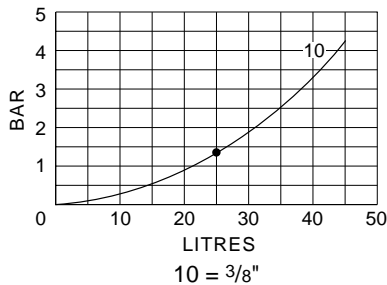


COUPLER PART NUMBER	PLUG PART NUMBER	NOMINAL SIZE	MATERIAL	WORKING PRESSURE	THREAD F2 / F3	CH2	CH3	ØE	L1	L2	L3
VVX-38-F-2	VVX-38-M-2	3/8"	316 SS	5075 PSI	3/8" NPT	.87	.87	1.34	3.86	2.52	1.93
VVX-12-F-2	VVX-12-M-2	1/2"	316 SS	4350 PSI	1/2" NPT	1.18	1.18	1.65	4.29	2.76	2.21
VVX-34-F-2	VVX-34-M-2	3/4"	316 SS	4350 PSI	3/4" NPT	1.42	1.42	1.87	5.20	3.39	2.64
VVX-1-F-2	VVX-1-M-2	1"	316 SS	3625 PSI	1" NPT	1.61	1.61	2.17	5.98	3.94	3.07

## TECHNICAL DATA

NOMINAL SIZE	MATERIAL	RATED FLOW	MINIMUM BURST PLUG	MINIMUM BURST COUPLER	MINIMUM BURST CONNECTED	FLUID SPILLAGE
3/8"	316 SS	6.57 GPM	42,000 PSI	42,000 PSI	42,000 PSI	1.4 cc
1/2"	316 SS	11.32 GPM	19,000 PSI	20,300 PSI	20,000 PSI	2.7 cc
3/4"	316 SS	24.47 GPM	20,000 PSI	20,000 PSI	20,000 PSI	9.3 cc
1"	316 SS	29.74 GPM	15,000 PSI	15,000 PSI	15,000 PSI	16 cc

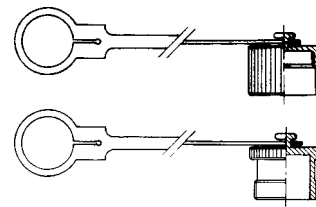
## PERFORMANCE:



NOTE: 1 BAR = 14.5 PSI 3.8 LITERS = 1 US GALLON

## ACCESSORIES – DUST PROTECTORS

NOMINAL SIZE	DUST PROTECTOR FOR PLUG	DUST PROTECTOR FOR COUPLER	COLOR	MATERIAL
3/8"	VVF-38-R	VVM-38-R	RED	POLYETHYLENE
1/2"	VVF-12-R	VVM-12-R	RED	POLYETHYLENE
3/4"	VVF-34-R	VVM-34-R	RED	POLYETHYLENE
1"	VVF-1-R	VVM-1-R	RED	POLYETHYLENE



# HYDRAULIC QUICK COUPLING INTERCHANGE GUIDE

## HNV SERIES

SIZE	PCI	PARKER	AEROQUIP	FASTER	SAFEWAY	SNAP-TITE
1/8"	HNV-18-F	H1-62	FD45-1003-2-2	HNV-18-NPT-F	S 105-1	72C2-2F
	HNV-18-M	H1-63	FD45-1002-2-2	HNV-18-NPT-M	S 101-1	72N2-2F
	HNV-18-F-5	BH1-60	FD45-1101-2-2	HNV-18-NPT-F-5	BS 105-1	B72C2-2F
	HNV-18-M-5	BH1-61	FD45-1086-2-2	HNV-18-NPT-M-5	BS 101-1	B72N2-2F
	HNV-18-F-2	SH1-62	—	HNV-18-NPT-F-2	SS 105-1	—
	HNV-18-M-2	SH1-63	—	HNV-18-NPT-M-2	SS 101-1	—
1/4"	HNV-14-F	H2-62	FD45-1003-4-4	HNV-14-NPT-F	S 105-2	72C4-4F
	HNV-14-M	H2-63	FD45-1002-4-4	HNV-14-NPT-M	S 101-2	72N4-4F
	HNV-14-F-5	BH2-60	FD45-1101-4-4	HNV-14-NPT-F-5	BS 105-2	B72C4-4F
	HNV-14-M-5	BH2-61	FD45-1086-4-4	HNV-14-NPT-M-5	BS 101-2	B72N4-4F
	HNV-14-F-2	SH2-62	FD45-1005-4-4	HNV-14-NPT-F-5	SS 105-2	S72C4-4F
	HNV-14-M-2	SH2-63	FD45-1004-4-4	HNV-14-NPT-M-5	SS 101-2	S72N4-4F
3/8"	HNV-38-F	H3-62	FD45-1003-6-6	HNV-38-NPT-F	S 105-3	72C6-6F
	HNV-38-M	H3-63	FD45-1002-6-6	HNV-38-NPT-M	S 101-3	72N6-6F
	HNV-38-F-5	BH3-60	FD45-1101-6-6	HNV-38-NPT-F-5	BS 105-3	B72C6-6F
	HNV-38-M-5	BH3-61	FD45-1086-6-6	HNV-38-NPT-M-5	BS 101-3	B72N6-6F
	HNV-38-F-2	SH3-62	FD45-1005-6-6	HNV-38-NPT-F-2	SS 105-3	S72C6-6F
	HNV-38-M-2	SH3-63	FD45-1004-6-6	HNV-38-NPT-M-2	SS 101-3	S72N6-6F
1/2"	HNV-12-F	H4-62	FD45-1003-08-10	HNV-12-NPT-F	S 105-4	72C8-8F
	HNV-12-M	H4-63	FD45-1002-08-10	HNV-12-NPT-M	S 101-4	72N8-8F
	HNV-12-F-5	BH4-60	FD45-1101-08-10	HNV-12-NPT-F-5	BS 105-4	B72C8-8F
	HNV-12-M-5	BH4-61	FD45-1086-08-10	HNV-12-NPT-M-5	BS 101-4	B72N8-8F
	HNV-12-F-2	SH4-62	FD45-1005-08-10	HNV-12-NPT-F-2	SS 105-4	S72C8-8F
	HNV-12-M-2	SH4-63	FD45-1004-08-10	HNV-12-NPT-M-2	SS 101-4	S72N8-8F
3/4"	HNV-34-F	H6-62	FD45-1003-12-12	HNV-34-NPT-F	S 105-6	72C12-12F
	HNV-34-M	H6-63	FD45-1002-12-12	HNV-34-NPT-M	S 101-6	72N12-12F
	HNV-34-F-5	BH6-60	FD45-1101-12-12	HNV-34-NPT-F-5	BS 105-6	B72C12-12F
	HNV-34-M-5	BH6-61	FD45-1086-12-12	HNV-34-NPT-M-5	BS 101-6	B72N12-12F
	HNV-34-F-2	SH6-62	FD45-1005-12-12	HNV-34-NPT-F-2	SS 105-6	S72C12-12F
	HNV-34-M-2	SH6-63	FD45-1004-12-12	HNV-34-NPT-M-2	SS 101-6	S72N12-12F
1"	HNV-1-F	H8-62	FD45-1003-16-16	HNV-1-NPT-F	S 105-8	72C16-16F
	HNV-1-M	H8-63	FD45-1002-16-16	HNV-1-NPT-M	S 101-8	72N16-16F
	HNV-1-F-5	BH8-60	FD45-1101-16-16	HNV-1-NPT-F-5	BS 105-8	B72C16-16F
	HNV-1-M-5	BH8-61	FD45-1086-16-16	HNV-1-NPT-M-5	BS 101-8	B72N16-16F
	HNV-1-F-2	SH8-62	FD45-1005-16-16	HNV-1-NPT-F-2	SS 105-8	S72C16-16F
	HNV-1-M-2	SH8-63	FD45-1004-16-16	HNV-1-NPT-M-2	SS 101-8	S72N16-16F
1 1/4"	HNV-114-F	—	—	—	—	—
	HNV-114-M	—	—	—	—	—
	HNV-114-F-5	—	FD45-1101-20-20	—	—	—
	HNV-114-M-5	—	FD45-1086-20-20	—	—	—
	HNV-114-F-2	—	—	—	—	—
	HNV-114-M-2	—	—	—	—	—
1 1/2"	HNV-112-F	H12-62N	—	HNV-112-NPT-F	—	—
	HNV-112-M	H12-63N	—	HNV-112-NPT-M	—	—
	HNV-112-F-5	BH12-60N	—	HNV-112-NPT-F-5	—	—
	HNV-112-M-5	BH12-61N	—	HNV-112-NPT-M-5	—	—
	HNV-112-F-2	SH12-62N	—	HNV-112-NPT-F-2	—	—
	HNV-112-M-2	SH12-63N	—	HNV-112-NPT-M-2	—	—

CONTINUED

# HYDRAULIC QUICK COUPLING INTERCHANGE GUIDE

## HNV SERIES CONTINUED

SIZE	PCI	PARKER	AEROQUIP	FASTER	SAFEWAY	SNAP-TITE
2 1/2"	HNV-2-F	H2016-62	—	HNV-2-NPT-F	—	—
	HNV-2-M	H2016-63	—	HNV-2-NPT-M	—	—
	HNV-2-F-5	BH2016-60	—	HNV-2-NPT-F-5	—	—
	HNV-2-M-5	BH2016-61	—	HNV-2-NPT-M-5	—	—
	HNV-2-F-2	SH2016-62	—	HNV-2-NPT-F-2	—	—
	HNV-2-M-2	SH2016-63	—	HNV-2-NPT-M-2	—	—
	HNV-212-F	H2020-62	—	HNV-2-212-F	—	—
	HNV-212-M	H2020-63	—	HNV-2-212-M	—	—
	HNV-212-F-5	BH2020-60	—	HNV-2-212-F-5	—	—
	HNV-212-M-5	BH2020-61	—	HNV-2-212-M-5	—	—
	HNV-212-F-2	SH2020-62	—	HNV-2-212-F-2	—	—
	HNV-212-M-2	SH2020-63	—	HNV-2-212-M-2	—	—
	HNV-3-F	H2024-62	—	HNV-2-3-NPT-F	—	—
	HNV-3-M	H2024-63	—	HNV-2-3-NPT-M	—	—
	HNV-3-F-5	BH2024-60	—	HNV-2-3-NPT-F-5	—	—
	HNV-3-M-5	BH2024-61	—	HNV-2-3-NPT-M-5	—	—
	HNV-3-F-2	SH2024-62	—	HNV-2-3-NPT-F-2	—	—
	HNV-3-M-2	SH2024-63	—	HNV-2-3-NPT-M-2	—	—

## ANV SERIES

SIZE	PCI	PARKER	AEROQUIP	FASTER	SAFEWAY	SNAP-TITE
1/4"	ANV-14-F	6601-4-4	5601-4-4S	ANV-14-NPT-F	S 565-2	61C4-4F
	ANV-14-M	6602-4-4	5602-4-4S	ANV-14-NPT-M	S 561-2	61N4-4F
	ANV-14-SAE-F	—	5608-4-4S	—	—	—
	ANV-14-SAE-M	—	5610-4-4S	—	—	—
3/8"	ANV-38-F	6601-6-6	5601-6-6S	ANV-38-NPT-F	S 565-3	61C6-6F
	ANV-38-M	6602-6-6	5602-6-6S	ANV-38-NPT-M	S 561-3	61N6-6F
	ANV-38-SAE-F	6608-6-6	5608-6-6S	ANV-38-38-SAE-F	S 565-3-6	—
	ANV-38-SAE-M	6610-6-6	5610-6-6S	ANV-38-38-SAE-M	S 561-3-6	—
1/2"	NV-12-F	6601-8-10	5601-8-10S	NV-12-NPT-F	S 565-4	61C8-8F
	NV-12-M	6602-8-10	5602-8-10S	NV-12-NPT-M	S 561-4	61N8-8F
	NV-12-UNF-F	6608-8-10	5608-8-10S	NV-12/34-UNF-F	S 565-4-8	—
	2NV-12-UNF-M	6610-8-10	5610-8-10S	NV-12/34-UNF-M	S 561-4-8	—
3/4"	ANV-34-F	6601-12-12	5601-12-12S	ANV-34-NPT-F	S 565-6	61C12-12F
	ANV-34-M	6602-12-12	5602-12-12S	ANV-34-NPT-M	S 561-6	61N12-12F
	ANV-34-SAE-F	6608-12-12	5608-12-12S	ANV-34-34-SAE-F	S 565-6-12	—
	ANV-34-SAE-M	6610-12-12	5610-12-12S	ANV-34-34-SAE-M	S 561-6-12	—
1"	ANV-1-F	6601-16-16	5601-16-16S	ANV-1-NPT-F	S 565-8	61C16-16F
	ANV-1-M	6602-16-16	5602-16-16S	ANV-1-NPT-M	S 561-8	61N16-16F
	ANV-1-SAE-F	6608-16-16	5608-16-16S	ANV-1-1-SAE-F	S 565-8-16	—
	ANV-1-SAE-M	6610-16-16	5610-16-16S	ANV-1-1-SAE-M	S 561-8-16	—
1 1/4"	ANV-114-F	—	—	ANV-114-NPT-F	—	—
	ANV-114-M	—	—	ANV-114-NPT-M	—	—
1 1/2"	ANV-112-F	—	—	ANV-112-NPT-F	—	—
	ANV-112-M	—	—	ANV-112-NPT-M	—	—
2"	ANV-2-F	—	—	ANV-2-NPT-F	—	—
	ANV-2-M	—	—	ANV-2-NPT-M	—	—

# HYDRAULIC QUICK COUPLING INTERCHANGE GUIDE

## FB SERIES

SIZE	PCI	PARKER	AEROQUIP	FASTER	SAFEWAY	SNAP-TITE
3/4"	FB-08-F	6125-08	5100S5-10B	—	—	B78C12-8F
	FB-08-F-H	6135-08	5110S5-10B	—	—	B78HC12-8F
	FB-08-M	6105-08	5100S2-10B	—	—	B78N12-8F
	FB-12-F	6125-12	5100S5-12B	FB-12/34-NPT-F-5	S515W-6	B78C12-12F
	FB-12-F-H	6135-12	5110S5-12B	—	—	B78HC12-12F
	FB-12-M	6105-12	5100S2-12B	FB-12/34-NPT-M-5	S511-6	B78N12-12F
1"	FB-16-F	6125-16	5100S5-16B	FB-16/1-NPT-F-5	S515W-8	B78C16-16F
	FB-16-F-H	6135-16	5110S5-16B	—	—	B78HC16-16F
	FB-16-M	6105-16	5100S2-16B	FB-16/1-NPT-M-5	S511-8	B78N16-16F
1 1/4"	FB-20-F	6125-20	5100S5-20B	FB-20/114-NPT-F-5	S515W-10	B78C20-20F
	FB-20-F-H	6135-20	5110S5-20B	—	—	B78HC20-20F
	FB-20-M	6105-20	5100S2-20B	FB-20/114-NPT-M-5	S511-10	B78N20-20F
1 1/2"	FB-24-F	6125-24	5100S5-24B	FB-24/112-NPT-F-5	—	B78C24-24F
	FB-24-F-H	6135-24	5110S5-24B	—	—	B78HC24-24F
	FB-24-M	6105-24	5100S2-24B	FB-24/112-NPT-M-5	—	B78N24-24F

## PVV SERIES

SIZE	PCI	PARKER	AEROQUIP	FASTER	SAFEWAY	SNAP-TITE
1/4"	PVV-14-F	3050-2	—	PVVM-1/14-NPT-F	S35-2P (POPPET)	—
	PVV-14-M	3010-2	—	PVVM-14-NPT-M	S31-2P (POPPET)	—
3/8"	PVV-38-F	3050-3	—	PVVM-1/38-NPT-F	—	—
	PVV-38-M	3010-3	—	PVVM-38-NPT-M	—	—
	PVVP-38-F	—	—	—	S35-3P	—
	PVVP-38-M	—	—	—	S31-3P	—

## NS/PS SERIES

SIZE	PCI	PARKER	AEROQUIP	FASTER	SAFEWAY	SNAP-TITE
1/4"	NS-14-F	4050-2	—	NS-14-NPT-F	S25A-2	21C4-4F
	NS-14-M	4010-2	—	NS-14-NPT-M	S41-2	21C4-4M
3/8"	NS-38-F	4050-3	—	NS-38-NPT-F	S45-3	21C6-6F
	NS-38-M	4010-3	—	NS-38-NPT-M	S41-3	21C6-6M
1/2"	NS-12-F	4050-4	—	NS-12-NPT-F	S25-4	61C8-8F
	2NS-12-M	8010-4	—	2NS-12-NPT-M	S71-4	61N8-8M
	PS-12-F	4250-4	—	PS-12-NPT-F	S45-4	610C8-8M
3/4"	NS-34-F	—	—	NS-34-NPT-F	—	—
	NS-34-M	—	—	NS-34-NPT-M	—	—
	NSP-34-F	4150-5	—	NSP-34-NPT-F	S25F-6	—
	NSP-34-M	4110-5	—	NSP-34-NPT-M	S21F-6	—

## NV/PV SERIES

SIZE	PCI	PARKER	AEROQUIP	FASTER	SAFEWAY	SNAP-TITE
1/4"	NV-14-F	4050-2P	FD42-1001-04-04	NV-14-NPT-F	S25A-2P	—
	NV-14-M	4010-2P	FD42-1002-04-04	NV-14-NPT-M	S41-2P	—

CONTINUED



# HYDRAULIC QUICK COUPLING INTERCHANGE GUIDE

## NV/PV SERIES CONTINUED

SIZE	PCI	PARKER	AEROQUIP	FASTER	SAFEWAY	SNAP-TITE
3/8"	NV-38-F	4050-3P	—	NV-38-NPT-F	S25-3P	—
	NV-38-M	4010-3P	—	NV-38-NPT-M	S21-3P	—
1/2"	NV-12-F	4050-4P	5601-8-10S	NV-12-NPT-F	S25-4P	—
	NV-12-M	8010-4P	5602-8-10S	NV-12-NPT-M	—	—
	NV-12-UNF-F	4050-15P	5608-8-10S	NV-12/34-UNF-F	—	—
	2NV-12-UNF-M	8010-15P	5610-8-10S	2NV-12/34-UNF-M	S71-15P	—
	PV-12-F	4250-4P	FD72-1001-08-10	PV-12-NPT-F	S45-4P	—
	2NV-12-M	8010-4P	FD76-1002-08-10	2NV-12-NPT-M	S71-4P	—
	PV-12/34-F	4050-5	5601-12-10S	MV-34-NPT-F	—	—
	PV-12/34-M	8010-5	5602-12-10S	MV-34-NPT-M	—	—
	PV-12-UNF-F	—	—	PV-12/34-UNF-F	—	—
	PV-12-UNF-F-02	—	—	CPV-1/34-UNF-F	—	—
	2NV-12-UNF-M-02	—	—	CNV-1/34-UNF-M	—	—
3/4"	NV-34-F	—	—	NV-34-NPT-F	—	—
	NV-34-M	—	—	NV-34-NPT-M	—	—
1"	NV-1-F	4050-6P	—	NV-1-NPT-F	S25-8P	—
	NV-1-M	4010-6P	—	NV-1-NPT-M	S21-8P	—

## FF SERIES

ISO SIZE	SIZE	PCI	PARKER	AEROQUIP	FASTER	SAFEWAY	HOLMBURY
5	1/8"	FF02-N18F	—	—	—	—	—
		FF02-N18-M	—	—	—	—	—
6.3	1/4"	FF04-N14F	—	FD89-1001-04-04	2FFI-14-NPT-F	—	FIMC-14-NPT-1/4"-F
		FF04-N14M	—	FD89-1002-04-04	2FFI-14-NPT-M	—	FIMC-14-NPT-1/4"-M
		FF04-S916F	—	—	2FFI-14-38-SAE-F	—	FIMC-14-SAE-9/16"-F
		FF04-S916M	—	—	2FFI-14-38-SAE-M	—	FIMC-14-SAE-9/16"-M
10	3/8"	FF06-N38F	FF371-6FP	FD89-1001-06-06	2FFN-38-NPT-F	FF495-3	FIMC-38-NPT-3/8"-F
		FF06-N38M	FF372-6FP	FD89-1002-06-06	2FFN-38-NPT-M	FF491-3	FIMC-38-NPT-3/8"-M
		FF06-N12F	FF371-8FP	FD89-1001-08-08	2FFN-38-12-NPT-F	FF495-4	FIMC-38-NPT-1/2"-F
		FF06-N12M	FF372-8FP	FD89-1002-08-08	2FFN-38-12-NPT-M	FF491-4	FIMC-38-NPT-1/2"-M
		FF06-S916F	—	—	—	—	FIMC-38-SAE-9/16"-F
		FF06-S916M	—	—	—	—	FIMC-38-SAE-9/16"-M
		FF06-S34F	—	—	2FFN-38-12-SAE-F	FF495-3-8	FIMC-38-SAE-3/4"-F
		FF06-S34M	—	—	2FFN-38-12-SAE-M	FF491-3-8	FIMC-38-SAE-3/4"-M
12.5	1/2"	FF08-N12F	FE501-8FP	FD89-1001-08-08	2FFI-12-NPT-F	—	FIMC-34-NPT-1/2"-F
		FF08-N12M	FE502-8FP	FD89-1002-08-08	2FFI-12-NPT-M	—	FIMC-34-NPT-1/2"-M
		FF08-N34F	FE501-12FP	FD89-1001-12-08	2FFI-12-34-NPT-F	FF495-6	FIMC-34-NPT-3/4"-F
		FF08-N34M	FF502-12FP	FD89-1002-12-08	2FFI-12-34-NPT-M	FF491-6	FIMC-34-NPT-3/4"-M
		FF08-S34F	—	—	2FFI-12-12-SAE-F	—	FIMC-34-SAE-3/4"-F
		FF08-S34M	—	—	2FFI-12-12-SAE-M	—	FIMC-34-SAE-3/4"-M

*CONTINUED*

# HYDRAULIC QUICK COUPLING INTERCHANGE GUIDE

## FF SERIES CONTINUED

ISO SIZE	SIZE	PCI	PARKER	AEROQUIP	FASTER	SAFEWAY	HOLMBURY
12.5	1/2"	FF08-S78F	FE501-10FO	—	2FFI-12-58-SAE-F	—	FIMC-34-SAE-7/8"-F
		FF08-S78M	FE502-10FO	—	2FFI-12-58-SAE-M	—	FIMC-34-SAE-7/8"-M
		FF08-S1116F	FE501-12FO	—	2FFI-12-34-SAE-F	FF495-6-12	FIMC-34-SAE-11/16"-F
		FF08-S1116M	FE502-12FO	—	2FFI-12-34-SAE-M	FF491-6-12	FIMC-34-SAE-11/16"-M
16	5/8"	FF10-N12F	—	—	2FFI-58-NPT-F	—	FIMC-34B-NPT-1/2"-F
		FF10-N12M	—	—	2FFI-58-NPT-M	—	FIMC-34B-NPT-1/2"-M
		FF10-N34F	—	—	2FFI-58-34-NPT-F	—	FIMC-34B-NPT-3/4"-F
		FF10-N34M	—	—	2FFI-58-34-NPT-M	—	FIMC-34B-NPT-3/4"-M
		FF10-S34F	—	—	—	—	—
		FF10-S34M	—	—	—	—	—
		FF10-S78F	—	—	2FFI-58-58-SAE-F	—	—
		FF10-S78M	—	—	2FFI-58-58-SAE-M	—	—
		FF10-S1116F	FE621-12FO	—	2FFI-58-34-SAE-F	—	FIMC-34B-SAE-3/4"-F
		FF10-S1116M	FE622-12FO	—	2FFI-58-34-SAE-M	—	FIMC-34B-SAE-3/4"-M
19	3/4"	FF12-N34F	—	FD89-1001-12-12	2FFI-34-NPT-F	—	FIMC-100-NPT-3/4"-F
		FF12-N34M	—	FD89-1002-12-12	2FFI-34-NPT-M	—	FIMC-100-NPT-3/4"-M
		FF12-N1F	—	—	2FFI-34-1-NPT-F	—	FIMC-100-NPT-1"-F
		FF12-N1M	—	—	2FFI-34-1-NPT-M	—	FIMC-100-NPT-1"-M
		FF12-S1116F	—	—	2FFI-34-34-SAE-F	—	FIMC-100-SAE-11/16"-F
		FF12-S1116M	—	—	2FFI-34-34-SAE-M	—	FIMC-100-SAE-11/16"-M
		FF12-S1516F	—	—	2FFI-34-1-SAE-F	—	FIMC-100-SAE-15/16"-F
		FF12-S1516M	—	—	2FFI-34-1-SAE-M	—	FIMC-100-SAE-15/16"-M
25	1"	FF16-N114F	—	—	—	—	FIMC-114-NPT-11/4"-F
		FF16-N114M	—	—	—	—	FIMC-114-NPT-11/4"-M
		FF16-S5158F	—	—	—	—	FIMC-114-SAE-15/8"-F
		FF16-S5158M	—	—	—	—	FIMC-114-SAE-15/8"-M
40	1 1/2"	FF24-N112F	—	—	—	—	FIMC-112-NPT-11/2"-F
		FF24-N112M	—	—	—	—	FIMC-112-NPT-11/2"-M

## 3FF SERIES

ISO SIZE	SIZE	PCI	PARKER	AEROQUIP	FASTER	SAFEWAY	HOLMBURY
12.5	1/2"	3FF08-N12M	FEC-502-8FP	CP74-N8-8F	3FFI-12-NPT-M	—	APM-34-NPT-1/2"-M
		3FF08-N34M	—	—	3FFI-12-34-NM	—	APM-34-NPT-3/4"-M
		3FF08-S78M	FEC-502-10FO	—	3FFI-12-58-SAE-M	—	APM-34-SAE-7/8"-M
		3FF08-S1116M	FEC-752-12FO	—	3FFI-12-34-SAE-M	—	APM-34-SAE-11/16"-M
		3FF08-B12M	—	—	3FFI-12-GAS-M	—	APM-34-BSP-1/2"-M
		3FF08-B34M	—	—	3FFI-12-34-GAS-M	—	APM-34-BSP-3/4"-M

## FFS SERIES

ISO SIZE	SIZE	PCI	PARKER	FASTER
6.3	1/4"	FFS04-N14F	—	2FFI-14-NPT-F-2
		FFS04-N14M	—	FFI-14-NPT-M-2
		FFS04-S16F	—	—
		FFS04-S16M	—	—
10	3/8"	FFS06-N38F	—	2FFN-38-NPT-F-2
		FFS06-N38M	—	FFN-38-NPT-M-2

CONTINUED

# HYDRAULIC QUICK COUPLING INTERCHANGE GUIDE

## FFS SERIES CONTINUED

ISO SIZE	SIZE	PCI	PARKER	FASTER
10	3/8"	FFS06-N12F	—	2FFN-38-12-NPT-F-2
		FFS06-N12M	—	FFN-38-12-NPT-M-2
		FFS06-S34F	—	—
		FFS06-S34M	—	—
12.5	1/2"	FFS08-N34F	FS-751-12FP*	2FFI-12-34-NPT-F-2
		FFS08-N34M	FS-752-12FP*	FFI-12-34-NPT-M-2
		FFS08-S1116F	FS-751-12FO*	—
		FFS08-S1116M	FS-752-12FO*	—
16	5/8"	FFS10-N34F	—	2FFI-58-34-N-F-2
		FFS10-N34M	—	FFI-58-34-N-M-2
		FFS10-S1116F	—	—
		FFS10-S1116M	—	—
19	3/4"	FFS12-N1F	FS-1001-16FP*	2FFI-34-1N-F-2
		FFS12-N1M	FS-1002-16FP*	FFI-34-1N-M-2
		FFS12-S1516F	FS-1001-16FO*	—
		FFS12-S1516M	FS-1002-16FO*	—
25	1"	FFS16-N114F	—	—
		FFS16-N114M	—	—
		FFS16-S158F	—	—
		FFS16-S158M	—	—

\* NOT A DIRECT INTERCHANGE BUT MAY BE USED AS A REPLACEMENT.

## TNV SERIES

SIZE	PCI	SNAP-TITE	FASTER
1/4"	TNV-04-F	VHC4-4F	TNV-04-NPT-F
	TNV-04-M	VHN4-4F	TNV-04-NPT-M
	TNV-04-F-5	BVHC4-4F	TNV-04-NPT-F-5
	TNV-04-M-5	BVHN4-4F	TNV-04-NPT-M-5
	TNV-04-F-2	SVHC4-4F	TNV-04-NPT-F-2
	TNV-04-M-2	SVHN4-4F	TNV-04-NPT-M-2
3/8"	TNV-06-F	VHC6-6F	TNV-06-NPT-F
	TNV-06-M	VHN6-6F	TNV-06-NPT-M
	TNV-06-F-5	BVHC6-6F	TNV-06-NPT-F-5
	TNV-06-M-5	BVHN6-6F	TNV-06-NPT-M-5
	TNV-06-F-2	SVHC6-6F	TNV-06-NPT-F-2
	TNV-06-M-2	SVHN6-6F	TNV-06-NPT-M-2
1/2"	TNV-08-F	VHC8-8F	TNV-08-NPT-F
	TNV-08-M	VHN8-8F	TNV-08-NPT-M
	TNV-08-F-5	BVHC8-8F	TNV-08-NPT-F-5
	TNV-08-M-5	BVHN8-8F	TNV-08-NPT-M-5
	TNV-08-F-2	SVHC8-8F	TNV-08-NPT-F-2
	TNV-08-M-2	SVHN8-8F	TNV-08-NPT-M-2
3/4"	TNV-12-F	VHC12-12F	TNV-12-NPT-F
	TNV-12-M	VHN12-12F	TNV-12-NPT-M
	TNV-12-F-5	BVHC12-12F	TNV-12-NPT-F-5
	TNV-12-M-5	BVHN12-12F	TNV-12-NPT-M-5
	TNV-12-F-2	SVHC12-12F	TNV-12-NPT-F-2
	TNV-12-M-2	SVHN12-12F	TNV-12-NPT-M-2

CONTINUED

# HYDRAULIC QUICK COUPLING INTERCHANGE GUIDE

## TNV SERIES *CONTINUED*

SIZE	PCI	SNAP-TITE	FASTER
1"	TNV-16-F	VHC16-16F	TNV-16-NPT-F
	TNV-16-M	VHN16-16F	TNV-16-NPT-M
	TNV-16-F-5	BVHC16-16F	TNV-16-NPT-F-5
	TNV-16-M-5	BVHN16-16F	TNV-16-NPT-M-5
	TNV-16-F-2	SVHC16-16F	TNV-16-NPT-F-2
	TNV-16-M-2	SVHN16-16F	TNV-16-NPT-M-2
1 1/4"	TNV-20-F	VHC20-20F	TNV-20-NPT-F
	TNV-20-M	VHN20-20F	TNV-20-NPT-M
	TNV-20-F-5	BVHC20-20F	TNV-20-NPT-F-5
	TNV-20-M-5	BVHN20-20F	TNV-20-NPT-M-5
	TNV-20-F-2	SVHC20-20F	TNV-20-NPT-F-2
	TNV-20-M-2	SVHN20-20F	TNV-20-NPT-M-2
1 1/2"	TNV-24-F	VHC24-24F	TNV-24-NPT-F
	TNV-24-M	VHN24-24F	TNV-24-NPT-M
	TNV-24-F-5	BVHC24-24F	TNV-24-NPT-F-5
	TNV-24-M-5	BVHN24-24F	TNV-24-NPT-M-5
	TNV-24-F-2	SVHC24-24F	TNV-24-NPT-F-2
	TNV-24-M-2	SVHN24-24F	TNV-24-NPT-M-2
2"	TNV-32-F	VHC32-32F	TNV-32-NPT-F
	TNV-32-M	VHN32-32F	TNV-32-NPT-M
	TNV-32-F-5	BVHC32-32F	TNV-32-NPT-F-5
	TNV-32-M-5	BVHN32-32F	TNV-32-NPT-M-5
	TNV-32-F-2	SVHC32-32F	TNV-32-NPT-F-2
	TNV-32-M-2	SVHN32-32F	TNV-32-NPT-M-2

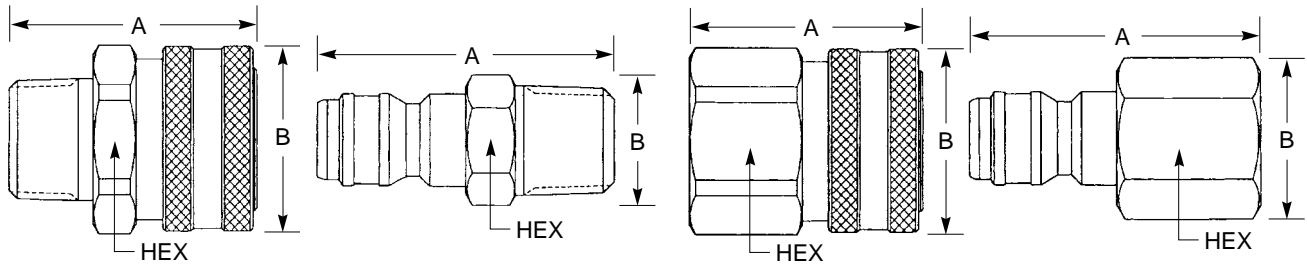
NOTE: NON-VALVED ALSO AVAILABLE FROM STOCK, CHANGE "TNV" TO "TNL". MALE THREADS ALSO AVAILABLE FROM STOCK, ADD "-02" TO END OF PART NUMBER. SEE PAGE 22, 24.

## SECTION 2



# PNEUMATIC AND STRAIGHT THROUGH QUICK COUPLINGS

# ST SERIES NON-VALVED INTERCHANGE COUPLINGS



COUPLER PART NUMBER	PLUG PART NUMBER	NOMINAL SIZE	MATERIAL	THREAD F	COUPLER			PLUG		
					A	B	HEX	A	B	HEX
B-18-FC	B-18-FP	1/8"	BRASS	1/8" NPTF	1.01	.65	.56	.98	.65	.56
SS-18-FC	SS-18-FP		303 SS	1/8" NPTF	1.01	.65	.56	.98	.65	.56
B-18-MC	B-18-MP		BRASS	1/8" NPTM	1.01	.65	.56	1.15	.58	.50
SS-18-MC	SS-18-MP		303 SS	1/8" NPTM	1.01	.65	.56	1.15	.58	.50
—	18-FP		STEEL	1/8" NPTF	—	—	—	.98	.65	.56
—	18-MP		STEEL	1/8" NPTM	—	—	—	1.15	.58	.50
B-14-FC	B-14-FP	1/4"	BRASS	1/4" NPTF	1.40	.96	.81	1.47	.79	.69
SS-14-FC	SS-14-FP		303 SS	1/4" NPTF	1.40	.96	.81	1.47	.79	.69
B-14-MC	B-14-MP		BRASS	1/4" NPTM	1.66	.96	.81	1.50	.65	.56
SS-14-MC	SS-14-MP		303 SS	1/4" NPTM	1.66	.96	.81	1.50	.65	.56
—	14-FP		STEEL	1/4" NPTF	—	—	—	1.47	.79	.69
—	14-MP		STEEL	1/4" NPTM	—	—	—	1.50	.65	.56
B-38-FC	B-38-FP	3/8"	BRASS	3/8" NPTF	1.60	1.13	1.00	1.60	1.01	.88
SS-38-FC	SS-38-FP		303 SS	3/8" NPTF	1.60	1.13	1.00	1.60	1.01	.88
B-38-MC	B-38-MP		BRASS	3/8" NPTM	1.70	1.13	1.00	1.69	.79	.69
SS-38-MC	SS-38-MP		303 SS	3/8" NPTM	1.70	1.13	1.00	1.69	.79	.69
—	38-FP		STEEL	3/8" NPTF	—	—	—	1.60	1.01	.86
—	38-MP		STEEL	3/8" NPTM	—	—	—	1.69	.79	.69
B-12-FC	B-12-FP	1/2"	BRASS	1/2" NPTF	1.96	1.27	1.13	1.82	1.16	1.00
SS-12-FC	SS-12-FP		303 SS	1/2" NPTF	1.96	1.27	1.13	1.82	1.16	1.00
B-12-MC	B-12-MP		BRASS	1/2" NPTM	2.00	1.27	1.13	1.91	1.01	.88
SS-12-MC	SS-12-MP		303 SS	1/2" NPTM	2.00	1.27	1.13	1.91	1.01	.88
—	12-FP		STEEL	1/2" NPTF	—	—	—	1.82	1.16	1.00
—	12-MP		STEEL	1/2" NPTM	—	—	—	1.91	1.01	.88
B-34-FC	B-34-FP	3/4"	BRASS	3/4" NPTF	2.10	1.65	1.50	2.05	1.37	1.19
SS-34-FC	SS-34-FP		303 SS	3/4" NPTF	2.10	1.65	1.50	2.05	1.37	1.19
B-34-MC	B-34-MP		BRASS	3/4" NPTM	2.00	1.65	1.50	2.25	1.23	1.06
SS-34-MC	SS-34-MP		303 SS	3/4" NPTM	2.00	1.65	1.50	2.25	1.23	1.06
—	34-FP		STEEL	3/4" NPTF	—	—	—	2.05	1.37	1.19
—	34-MP		STEEL	3/4" NPTM	—	—	—	2.25	1.23	1.06
B-1-FC	B-1-FP	1"	BRASS	1" NPTF	2.36	2.02	1.75	2.36	1.73	1.50
SS-1-FC	SS-1-FP		303 SS	1" NPTF	2.36	2.02	1.75	2.36	1.73	1.50
B-1-MC	B-1-MP		BRASS	1" NPTM	2.61	2.02	1.75	2.45	1.59	1.38
SS-1-MC	SS-1-MP		303 SS	1" NPTM	2.61	2.02	1.75	2.45	1.59	1.38
—	1-FP		STEEL	1" NPTF	—	—	—	2.36	1.73	1.50
—	1-MP		STEEL	1" NPTM	—	—	—	2.45	1.59	1.38
B-114-FC	B-114-FP	1 1/4"	BRASS	1 1/4" NPTF	2.36	2.59	2.25	2.47	2.31	2.00
B-114-MC	B-114-MP		BRASS	1 1/4" NPTM	2.91	2.59	2.25	2.80	2.02	1.75
—	114-FP		STEEL	1 1/4" NPTF	—	—	—	2.47	2.31	2.00
—	114-MP		STEEL	1 1/4" NPTM	—	—	—	2.80	2.02	1.75
B-112-FC	B-112-FP	1 1/2"	BRASS	1 1/2" NPTF	2.89	3.18	2.75	2.74	2.60	2.25
B-112-MC	B-112-MP		BRASS	1 1/2" NPTM	3.44	3.18	2.75	3.38	2.60	2.25
—	112-FP		STEEL	1 1/2" NPTF	—	—	—	2.74	2.60	2.25
—	112-MP		STEEL	1 1/2" NPTM	—	—	—	3.38	2.60	2.25
B-2-FC	B-2-FP	2"	BRASS	2" NPTF	3.00	4.04	3.50	3.00	3.03	2.63
B-2-MC	B-2-MP		BRASS	2" NPTM	3.70	4.04	3.50	3.58	3.03	2.63
—	2-FP		STEEL	2" NPTF	—	—	—	3.00	3.03	2.63
—	2-MP		STEEL	2" NPTM	—	—	—	3.58	3.03	2.63

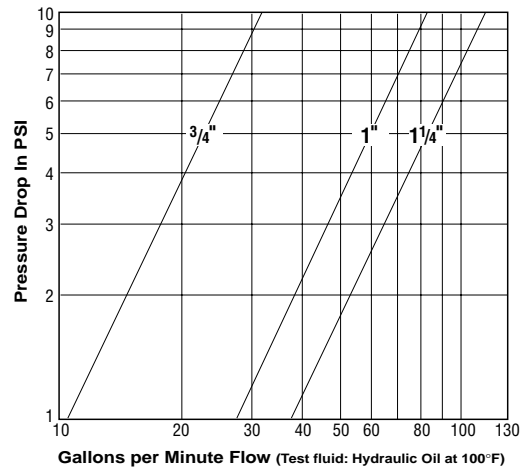
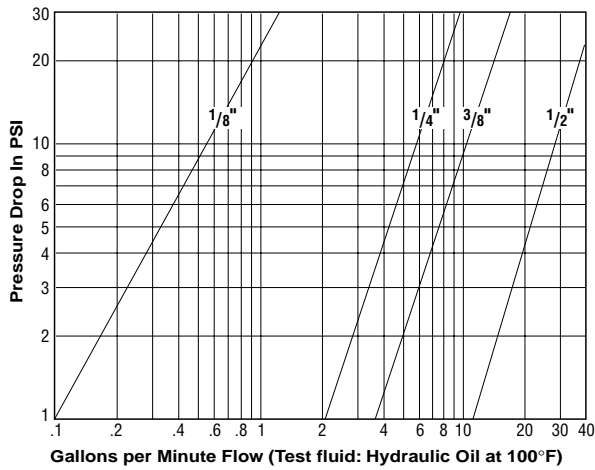
NOTE: ANY NOMINAL SIZE COUPLER WILL CONNECT WITH THE SAME NOMINAL SIZE PLUG REGARDLESS OF THE THREAD SIZE.  
EXAMPLE: B14FC CONNECTS WITH 14-MP.

# TECHNICAL DATA – ST SERIES

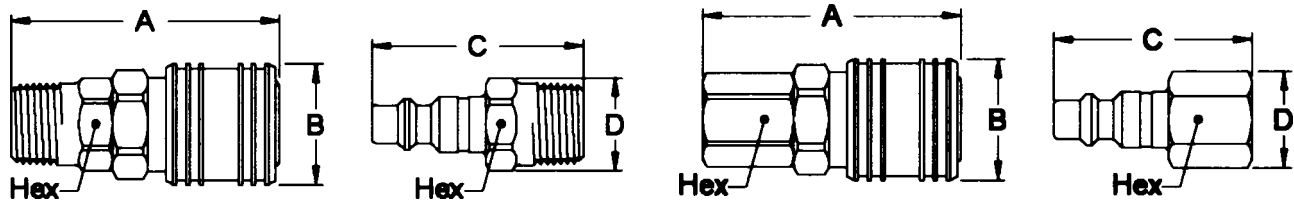
BODY SIZE	WORKING PRESSURE BRASS	WORKING PRESSURE STEEL	WORKING PRESSURE STAINLESS
1/8"	2,500 PSI	2,600 PSI	4,200 PSI
1/4"	4,500 PSI	5,000 PSI	6,500 PSI
3/8"	2,700 PSI	3,500 PSI	5,000 PSI
1/2"	2,500 PSI	2,700 PSI	3,000 PSI
3/4"	2,000 PSI	2,700 PSI	3,000 PSI
1"	1,000 PSI	2,000 PSI	1,500 PSI
1 1/4"	800 PSI	1,700 PSI	CF
1 1/2"	600 PSI	1,400 PSI	CF
2"	400 PSI	600 PSI	CF

CF: CONTACT FACTORY

## PERFORMANCE:



# I SERIES PNEUMATIC-INDUSTRIAL INTERCHANGE COUPLINGS – MANUAL



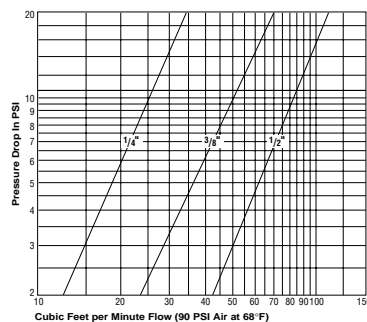
COUPLER PART NUMBER	PLUG PART NUMBER	NOMINAL SIZE	COUPLER MATERIAL	THREAD F	COUPLER			PLUG		
					A	B	HEX	C	D	HEX
I-2803-M	I-13-3	1/4"	BRASS/STEEL	1/8" NPTF	1.91	1.00	.69	1.47	.65	.56
I-2903-M	I-12-3		BRASS/STEEL	1/8" NPTM	2.07	1.00	.69	1.59	.58	.50
I-3003-M	I-11-3		BRASS/STEEL	1/4" NPTF	1.91	1.00	.69	1.63	.77	.69
C-3003M-SS	C-11-3-SS		STAINLESS	1/4" NPTF	1.91	1.00	.69	1.63	.77	.69
I-3203-M	I-15-3		BRASS/STEEL	3/8" NPTF	2.19	1.00	.75	1.63	.94	.81
C-3103M-SS	C-10-3-SS		STAINLESS	1/4" NPTM	1.91	1.00	.69	1.63	.79	.69
I-3303-M	I-14-3		BRASS/STEEL	3/8" NPTM	2.22	1.00	.69	1.75	.79	.69
I-3103-M	I-10-3		BRASS/STEEL	1/4" NPTM	2.07	1.00	.69	1.75	.65	.69
I-4004-M	I-41-4	3/8"	BRASS/STEEL	1/4" NPTF	2.10	1.13	.88	1.63	.79	.69
I-4104-M	I-40-4		BRASS/STEEL	1/4" NPTM	2.35	1.13	.88	1.88	.72	.63
I-4204-M	I-43-4		BRASS/STEEL	3/8" NPTF	2.35	1.13	.88	1.81	.94	.81
I-4304-M	I-42-4		BRASS/STEEL	3/8" NPTM	2.35	1.13	.88	1.88	.79	.69
I-4404-M	I-45-4		BRASS/STEEL	1/2" NPTF	2.62	1.13	.88	2.06	1.15	1.00
I-4504-M	I-44-4		BRASS/STEEL	1/2" NPTM	2.54	1.13	1.00	2.09	1.01	.88
I-4015-M	53-A		BRASS/STEEL	1/4" NPTF	2.72	1.19	1.10	1.92	.79	.69
I-4905-M	I-50-5		BRASS/STEEL	1/4" NPTM	2.77	1.19	1.00	2.25	.79	.69
I-5005-M	I-53-5	1/2"	BRASS/STEEL	3/8" NPTF	2.78	1.19	1.10	2.06	.94	.88
I-5105-M	I-52-5		BRASS/STEEL	3/8" NPTM	2.78	1.19	1.00	2.25	.87	.88
I-5205-M	I-55-5		BRASS/STEEL	1/2" NPTF	3.06	1.19	1.10	2.34	1.15	1.00
I-5305-M	I-54-5		BRASS/STEEL	1/2" NPTM	2.97	1.19	1.00	2.44	1.01	.88
I-5405-M	I-57-5		BRASS/STEEL	3/4" NPTF	3.09	1.19	1.19	2.44	1.37	1.19
I-5505-M	I-56-5		BRASS/STEEL	3/4" NPTM	2.97	1.19	1.06	2.50	1.23	1.06

## TECHNICAL DATA

BODY SIZE	WORKING PRESSURE CONNECTED	WORKING PRESSURE DISCONNECTED	BURST PRESSURE CONNECTED	BURST PRESSURE DISCONNECTED
1/4"	1,500 PSI	500 PSI	9,000 PSI	2,000 PSI
3/8"	1,500 PSI	500 PSI	9,000 PSI	2,000 PSI
1/2"	1,500 PSI	500 PSI	9,000 PSI	2,000 PSI

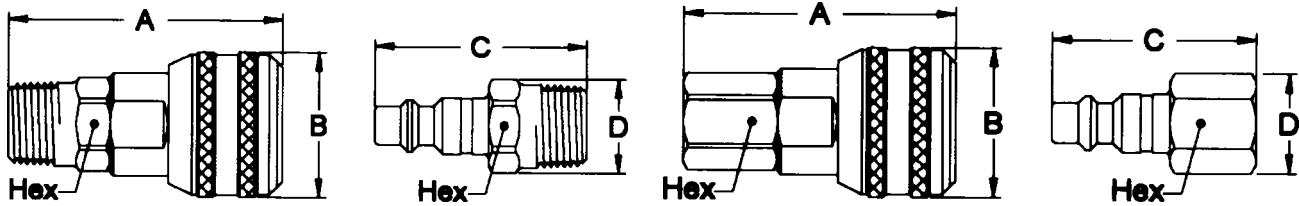
NOTE: ALL PLUGS ARE STEEL UNLESS OTHERWISE NOTED.

## PERFORMANCE:





# I SERIES PNEUMATIC-INDUSTRIAL INTERCHANGE COUPLINGS – AUTOMATIC

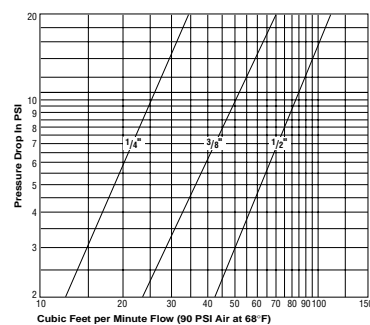


COUPLER PART NUMBER	PLUG PART NUMBER	NOMINAL SIZE	COUPLER MATERIAL	THREAD F	COUPLER			PLUG		
					A	B	HEX	C	D	HEX
I-2803-A	I-13-3	1/4"	BRASS	1/8" NPTF	1.95	1.19	.69	1.47	.65	.56
I-2903-A	I-12-3			1/8" NPTM	2.26	1.19	.69	1.59	.58	.50
I-3003-A	I-11-3			1/4" NPTF	2.17	1.19	.69	1.63	.79	.69
I-3103-A	I-10-3			1/4" NPTM	2.26	1.19	.69	1.75	.65	.56
I-3203-A	I-15-3			3/8" NPTF	2.23	1.19	.75	1.69	.94	.81
I-3303-A	I-14-3			3/8" NPTM	2.26	1.19	.69	1.75	.79	.69
I-4004-A	I-41-4	3/8"	BRASS	1/4" NPTF	2.10	1.38	.88	1.63	.79	.69
I-4104-A	I-40-4			1/4" NPTM	2.35	1.38	.88	1.88	.72	.63
I-4204-A	I-43-4			3/8" NPTF	2.35	1.38	.88	1.81	.94	.81
I-4304-A	I-42-4			3/8" NPTM	2.35	1.38	.88	1.88	.79	.69
I-4404-A	I-45-4			1/2" NPTF	2.62	1.38	1.00	2.06	1.15	1.00
I-4504-A	I-44-4			1/2" NPTM	2.54	1.38	.88	2.09	1.01	.88
I-4015-A	53-A	1/2"	BRASS	1/4" NPTF	2.72	1.50	1.00	1.92	.79	.69
I-4905-A	I-50-5			1/4" NPTM	2.78	1.50	1.00	2.25	.79	.69
I-5005-A	I-53-5			3/8" NPTF	2.79	1.50	1.00	2.06	.94	.81
I-5105-A	I-52-5			3/8" NPTM	2.79	1.50	1.00	2.25	.87	.75
I-5205-A	I-55-5			1/2" NPTF	3.07	1.50	1.00	2.34	1.15	1.00
I-5305-A	I-54-5			1/2" NPTM	2.98	1.50	1.00	2.44	1.01	.88
I-5405-A	I-57-5	3/4" NPTF	3.10	1.50	1.19	2.44	1.37	1.19		
I-5505-A	I-56-5	3/4" NPTM	2.98	1.50	1.06	2.50	1.23	1.06		
I-6206-A	I-65-6	3/4"	BRASS	1/2" NPTF	2.85	1.88	1.31	2.22	1.15	1.00
I-6306-A	I-64-6			1/2" NPTM	2.94	1.88	1.31	2.31	1.15	1.00
I-6406-A	I-67-6			3/4" NPTF	3.00	1.88	1.31	2.22	1.37	1.19
I-6506-A	I-66-6			3/4" NPTM	2.94	1.88	1.31	2.38	1.23	1.06
I-6606-A	I-69-6			1" NPTF	3.19	1.88	1.56	2.41	1.80	1.56
I-6706-A	I-68-6			1" NPTM	3.13	1.88	1.31	2.56	1.52	1.31

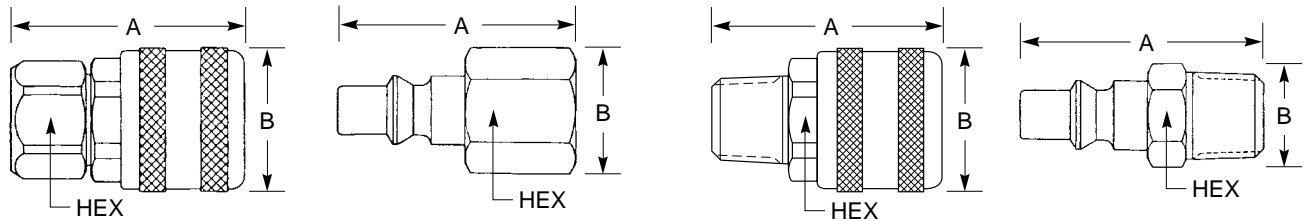
## TECHNICAL DATA

BODY SIZE	WORKING PRESSURE CONNECTED	WORKING PRESSURE DISCONNECTED
1/4"	2000 PSI	500 PSI
3/8"	1000 PSI	500 PSI
1/2"	500 PSI	500 PSI
3/4"	220 PSI	150 PSI

## PERFORMANCE:



# A SERIES PNEUMATIC – ARO 210/310 INTERCHANGE COUPLINGS – AUTOMATIC

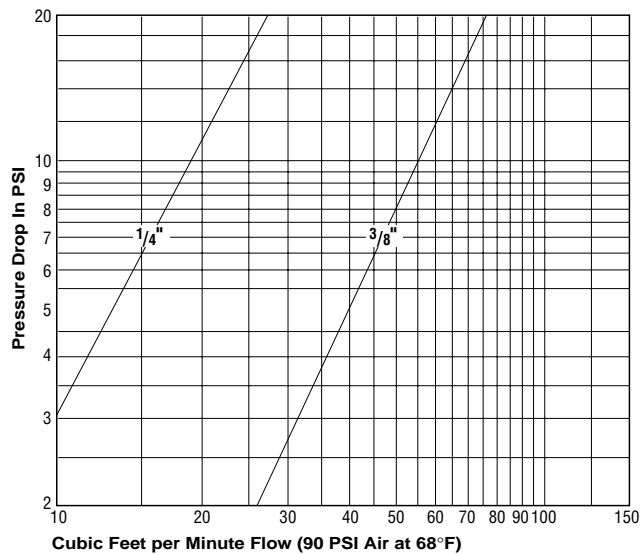


COUPLER PART NUMBER	PLUG PART NUMBER	NOMINAL SIZE	COUPLER MATERIAL	THREAD F	COUPLER			PLUG		
					A	B	HEX	A	B	HEX
A210-3003	A210-11	1/4"	STEEL	1/4" NPTF	1.65	1.01	.75	1.57	.79	.69
A210-3103	A210-10			1/4" NPTM	1.65	1.01	.75	1.48	.58	.50
A210-3303				3/8" NPTM	1.65	1.01	.75	1.60	.65	.56
A310-4204	A310-43	3/8"	BRASS	3/8" NPTF	2.11	1.20	.94	1.82	1.01	.88
A210-4303	A310-42			3/8" NPTM	2.11	1.20	.94	1.91	.79	.69

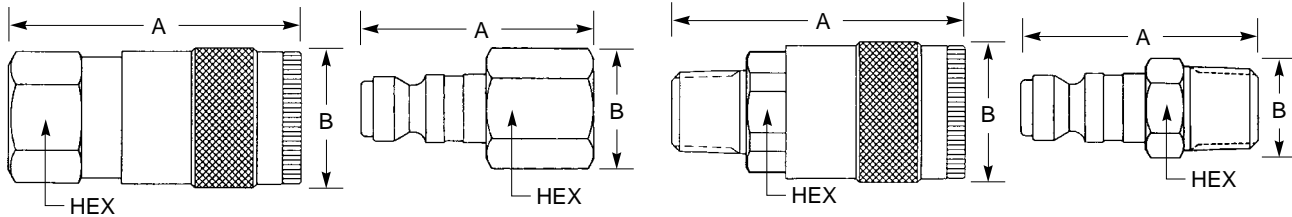
## TECHNICAL DATA

BODY SIZE	WORKING PRESSURE CONNECTED	WORKING PRESSURE DISCONNECTED	BURST PRESSURE CONNECTED	BURST PRESSURE DISCONNECTED
1/4"	250 PSI	250 PSI	1,000 PSI	1,000 PSI
3/8"	250 PSI	250 PSI	1,000 PSI	1,000 PSI

## PERFORMANCE:



# PT SERIES PNEUMATIC – PARKER® TRU-FLATE INTERCHANGE COUPLINGS/MANUAL



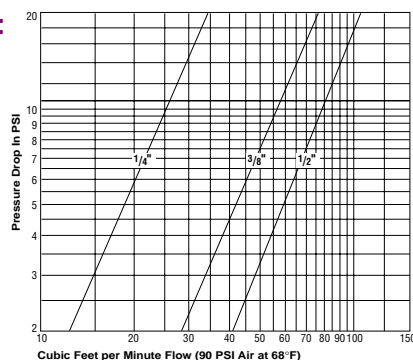
COUPLER PART NUMBER	PLUG PART NUMBER	NOMINAL SIZE	COUPLER MATERIAL	THREAD F	COUPLER			PLUG		
					A	B	HEX	A	B	HEX
PT-2803-M	PT-13	1/4"	BRASS	1/8" NPTF	1.83	.88	.75	1.34	.65	.56
PT-2903-M	PT-12			1/8" NPTM	1.88	.88	.75	1.47	.58	.50
PT-3003-M	PT-11			1/4" NPTF	2.04	.88	.75	1.56	.79	.69
PT-3103-M	PT-10			1/4" NPTM	2.04	.88	.75	1.59	.65	.56
PT-3203-M	PT-15			3/8" NPTF	2.14	.88	.81	1.56	1.01	.88
PT-3303-M	PT-14			3/8" NPTM	2.08	.88	.75	1.65	.79	.69
PT-4004-M	PT-41	3/8"	STEEL	1/4" NPTF	2.25	1.06	.88	1.75	.79	.69
PT-4104-M	PT-40			1/4" NPTM	2.45	1.06	.88	1.78	.79	.69
PT-4204-M	PT-43			3/8" NPTF	2.48	1.06	.88	1.75	1.0	.88
PT-4304-M	PT-42			3/8" NPTM	2.46	1.06	.88	1.84	.79	.69
PT-4404-M				1/2" NPTF	2.61	1.06	1.00	1.91	1.16	1.00
PT-4504-M				1/2" NPTM	2.55	1.06	.88	2.00	1.01	.88
PT-4015-M		1/2"	STEEL	1/4" NPTF	2.90	1.19	1.00	2.11	1.01	.88
PT-4905-M				1/4" NPTM	2.97	1.19	1.00	2.20	.79	.69
PT-5005-M	PT-53-5			3/8" NPTF	2.90	1.19	1.00	2.11	1.01	.88
PT-5105-M	PT-52-5			3/8" NPTM	2.97	1.19	1.00	2.20	.79	.69
PT-5205-M	PT-55-5			1/2" NPTF	3.04	1.19	1.00	2.26	1.16	1.00
PT-5305-M	PT-54-5			1/2" NPTM	3.07	1.19	1.00	2.35	1.01	.88
PT-5405-M	PT-57-5	3/4" NPTF	3.09	1.19	1.19	2.31	1.37	1.19		
PT-5505-M	PT-56-5	3/4" NPTM	3.12	1.19	1.06	2.51	1.23	1.06		

NOTE: ANY NOMINAL SIZE COUPLER WILL CONNECT WITH THE SAME NOMINAL SIZE PLUG REGARDLESS OF THE THREAD SIZE.  
EXAMPLE: PT-2803-M CONNECTS WITH PT-14.

## TECHNICAL DATA

BODY SIZE	WORKING PRESSURE CONNECTED	WORKING PRESSURE DISCONNECTED	BURST PRESSURE CONNECTED	BURST PRESSURE DISCONNECTED
1/4"	1,500 PSI	500 PSI	9,000 PSI	2,000 PSI
3/8"	1,500 PSI	500 PSI	9,000 PSI	2,000 PSI
1/2"	1,500 PSI	500 PSI	9,000 PSI	2,000 PSI

## PERFORMANCE:





## SECTION 3

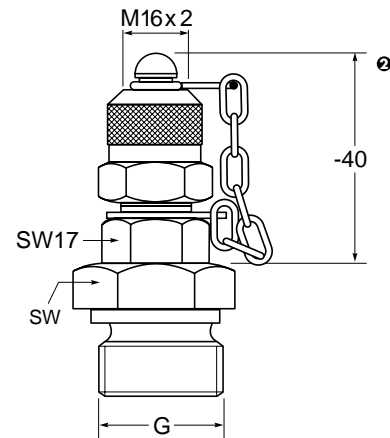
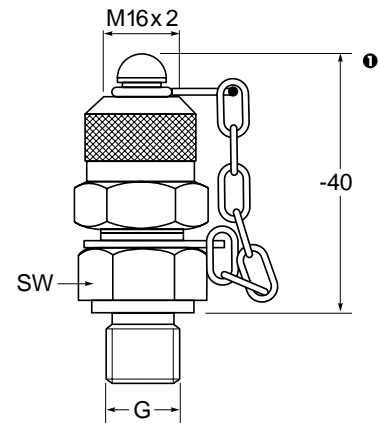


# DIAGNOSTICS AND GAUGES

# H900 SERIES TEST CONNECTORS

## TEST CONNECTORS – M16 x 2 with Metal Cap

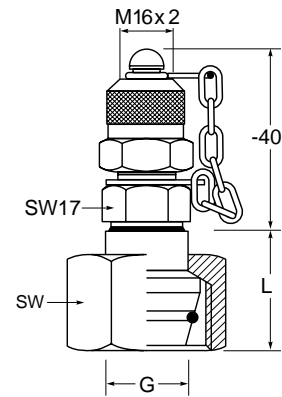
PART NUMBER	WORKING PRESSURE	FIGURE	HEX (mm) SW	THREAD G
H900-10	9100 PSI	1	17	5/16"-24 UNF
H900-11	9100 PSI	1	17	7/16"-20 UNF
H900-12	9100 PSI	2	19	9/16"-18 UNF
H900-13	9100 PSI	2	24	3/4"-16 UNF
H900-20	9100 PSI	1	17	1/8" NPT
H900-21	9100 PSI	1	19	1/4" NPT
H900-22	9100 PSI	1	19	3/8" NPT
H900-23	9100 PSI	2	24	1/2" NPT
H900-01	9100 PSI	1	17	M8 x 1
H900-25	9100 PSI	1	17	M10 x 1
H900-26	9100 PSI	1	17	M12 x 1.5
H900-27	9100 PSI	1	19	M14 x 1.5
H900-28	9100 PSI	1	22	M16 x 1.5
H900-02	9100 PSI	2	27	M18 x 1.5
H900-03	9100 PSI	2	27	M20 x 1.5
H900-04	9100 PSI	2	27	M22 x 1.5
H900-05	9100 PSI	2	32	M26 x 1.5
H900-06	9100 PSI	2	36	M27 x 2
H900-07	9100 PSI	2	41	M33 x 2
H900-08	9100 PSI	2	50	M42 x 2
H900-09	9100 PSI	2	60	M48 x 2
H900-30	9100 PSI	1	17	1/8" BSPP
H900-31	9100 PSI	1	19	1/4" BSPP
H900-32	9100 PSI	1	22	3/8" BSPP
H900-33	9100 PSI	2	27	1/2" BSPP
H900-34	9100 PSI	2	36	3/4" BSPP
H900-35	9100 PSI	2	41	1" BSPP
H900-36	9100 PSI	2	50	1 1/4" BSPP
H900-37	9100 PSI	2	60	1 1/2" BSPP
H900-38	9100 PSI	1	17	1/8" BSPT
H900-39	9100 PSI	1	19	1/4" BSPT



# H900 SERIES TEST CONNECTORS (CONTINUED)

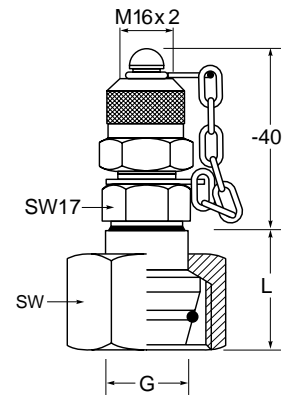
## DKO -TEST CONNECTOR for Metric Bite-Ring Fittings DIN 2353 24° Taper Adapter/Light Duty

PART NUMBER	WORKING PRESSURE	TUBE SIZE	HEX (mm) SW	THREAD G
H900-50	3625 PSI	6	14	M12 x 1.5
H900-51	3625 PSI	8	17	M14 x 1.5
H900-52	3625 PSI	10	19	M16 x 1.5
H900-53	3625 PSI	12	22	M18 x 1.5
H900-54	3625 PSI	15	27	M22 x 1.5
H900-55	3625 PSI	18	32	M26 x 1.5
H900-56	3625 PSI	22	36	M30 x 2
H900-57	3625 PSI	28	41	M36 x 2
H900-58	3625 PSI </td <td>35</td> <td>50</td> <td>M45 x 2</td>	35	50	M45 x 2
H900-59	3625 PSI	42	60	M52 x 2



## DKO -TEST CONNECTOR for Metric Bite-Ring Fittings DIN 2353 24° Taper Adapter/Heavy Duty

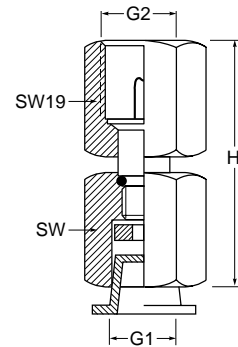
PART NUMBER	WORKING PRESSURE	TUBE SIZE	HEX (mm) SW	THREAD G
H900-60	9100 PSI	6	17	M14 x 1.5
H900-61	9100 PSI	8	19	M16 x 1.5
H900-62	9100 PSI	10	22	M18 x 1.5
H900-63	9100 PSI	12	24	M20 x 1.5
H900-64	9100 PSI	14	27	M22 x 1.5
H900-65	9100 PSI	16	30	M24 x 1.5
H900-66	9100 PSI	20	36	M30 x 2
H900-67	9100 PSI	25	46	M36 x 2
H900-68	9100 PSI	30	50	M42 x 2
H900-69	9100 PSI	38	60	M52 x 2



# H900 SERIES DIRECT GAUGE CONNECTORS

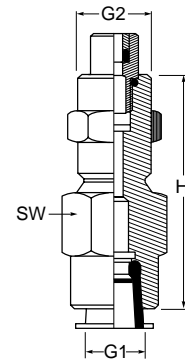
## M16 x 2 DIRECT GAUGE CONNECTOR

PART NUMBER	WORKING PRESSURE	THREAD G2	HEX (mm) SW	H (IN)	THREAD G1
H900-84	5880 PSI	M16 x 2	19	1.77	1/4" BSPP
H900-85	5880 PSI	M16 x 2	27	2.00	1/2" BSPP
H900-86	5880 PSI	M16 x 2	19	1.97	1/4" NPT F
H900-87	5880 PSI	M16 x 2	27	2.20	1/2" NPT F
H900-91	5880 PSI	M16 x 2	22	1.93	7/16"-20 UNF



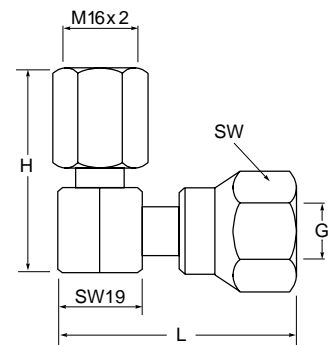
## M16 x 2 GAUGE CONNECTOR

PART NUMBER	WORKING PRESSURE	THREAD G2	HEX (mm) SW	H (IN)	THREAD G1
H900-80	5880 PSI	M16 x 2	19	1.89	1/4" BSPP
H900-81	5880 PSI	M16 x 2	27	2.05	1/2" BSPP
H900-82	5880 PSI	M16 x 2	19	1.97	1/4" NPT
H900-83	5880 PSI	M16 x 2	27	2.36	1/2" NPT
H900-90	5880 PSI	M16 x 2	22	1.89	7/16"-20 UNF



## M16 x 2 DIRECT GAUGE CONNECTOR – 90° ELBOW

PART NUMBER	WORKING PRESSURE	L (IN)	HEX (mm) SW	H (IN)	THREAD G1
H900-70	9100 PSI	1.97	19	1.69	1/4" BSPP
H900-71	9100 PSI	1.97	27	1.69	1/2" BSPP
H900-72	9100 PSI	1.97	19	1.69	1/4" NPT F
H900-73	9100 PSI	1.97	27	1.69	1/2" NPT F

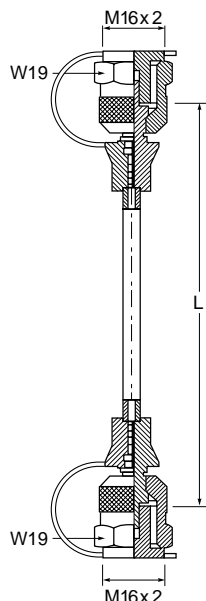




# H900 SERIES HIGH PRESSURE MICRO HOSE ASSEMBLIES

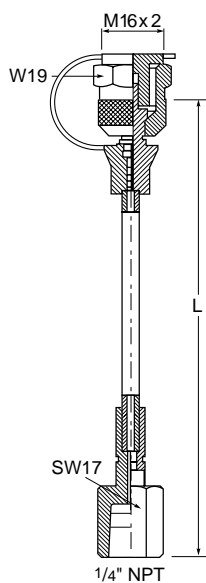
## HIGH PRESSURE HOSES M16 x 2 to M16 x 2

PART NUMBER	WORKING PRESSURE	LENGTH (IN)
H900-92-08	9100 PSI	8
H900-92-10	9100 PSI	10
H900-92-12	9100 PSI	12
H900-92-16	9100 PSI	16
H900-92-20	9100 PSI	20
H900-92-24	9100 PSI	24
H900-92-30	9100 PSI	30
H900-92-32	9100 PSI	32
H900-92-40	9100 PSI	40
H900-92-60	9100 PSI	60
H900-92-72	9100 PSI	72
H900-92-78	9100 PSI	78
H900-92-98	9100 PSI	98
H900-92-125	9100 PSI	125
H900-92-130	9100 PSI	130
H900-92-158	9100 PSI	158
H900-92-197	9100 PSI	197
H900-92-236	9100 PSI	236



## HIGH PRESSURE HOSES M16 x 2 to 1/4" NPT F

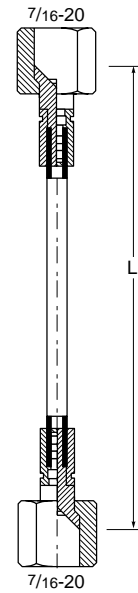
PART NUMBER	WORKING PRESSURE	LENGTH (IN)
H900-993-08	9100 PSI	8
H900-993-10	9100 PSI	10
H900-993-12	9100 PSI	12
H900-993-16	9100 PSI	16
H900-993-20	9100 PSI	20
H900-993-24	9100 PSI	24
H900-993-30	9100 PSI	30
H900-993-32	9100 PSI	32
H900-993-40	9100 PSI	40
H900-993-60	9100 PSI	60
H900-993-78	9100 PSI	78
H900-993-98	9100 PSI	98
H900-993-125	9100 PSI	125
H900-993-157	9100 PSI	157



# H900 SERIES HIGH PRESSURE MICRO HOSE ASSEMBLIES (CONTINUED)

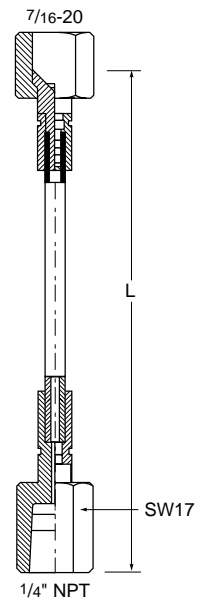
## HIGH PRESSURE HOSES 7/16 -20 to 7/16 -20 UNF

PART NUMBER	WORKING PRESSURE	LENGTH (IN)
H900-994-08	9100 PSI	8
H900-994-10	9100 PSI	10
H900-994-12	9100 PSI	12
H900-994-16	9100 PSI	16
H900-994-18	9100 PSI	18
H900-994-20	9100 PSI	20
H900-994-24	9100 PSI	24
H900-994-30	9100 PSI	30
H900-994-32	9100 PSI	32
H900-994-40	9100 PSI	40
H900-994-60	9100 PSI	60
H900-994-72	9100 PSI	72
H900-994-78	9100 PSI	78
H900-994-98	9100 PSI	98
H900-994-125	9100 PSI	125
H900-994-157	9100 PSI	157



## HIGH PRESSURE HOSES 7/16 -20 UNF to 1/4" NPT F

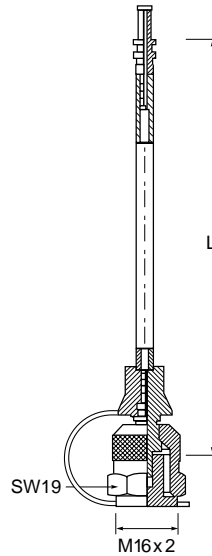
PART NUMBER	WORKING PRESSURE	LENGTH (IN)
H900-995-08	9100 PSI	8
H900-995-10	9100 PSI	10
H900-995-12	9100 PSI	12
H900-995-16	9100 PSI	16
H900-995-18	9100 PSI	18
H900-995-20	9100 PSI	20
H900-995-24	9100 PSI	24
H900-995-30	9100 PSI	30
H900-995-32	9100 PSI	32
H900-995-40	9100 PSI	40
H900-995-60	9100 PSI	60
H900-995-78	9100 PSI	78
H900-995-98	9100 PSI	98
H900-995-125	9100 PSI	125
H900-995-157	9100 PSI	157



# H900 SERIES HIGH PRESSURE MICRO HOSE ASSEMBLIES (CONTINUED)

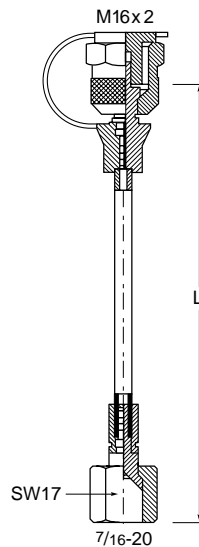
## HIGH PRESSURE HOSES M16 x 2 to Nipple for M16 x 2 / DN2

PART NUMBER	WORKING PRESSURE	LENGTH (IN)
H900-997-08	9100 PSI	8
H900-997-10	9100 PSI	10
H900-997-12	9100 PSI	12
H900-997-16	9100 PSI	16
H900-997-20	9100 PSI	20
H900-997-24	9100 PSI	24
H900-997-30	9100 PSI	30
H900-997-32	9100 PSI	32
H900-997-40	9100 PSI	40
H900-997-60	9100 PSI	60
H900-997-78	9100 PSI	78
H900-997-98	9100 PSI	98
H900-997-125	9100 PSI	125
H900-997-157	9100 PSI	157



## HIGH PRESSURE HOSES M16 x 2 to 7/16-20 / DN2

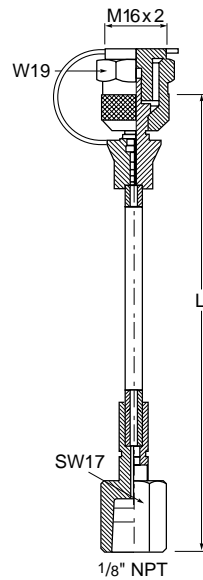
PART NUMBER	WORKING PRESSURE	LENGTH (IN)
H900-996-08	9100 PSI	8
H900-996-10	9100 PSI	10
H900-996-12	9100 PSI	12
H900-996-16	9100 PSI	16
H900-996-20	9100 PSI	20
H900-996-24	9100 PSI	24
H900-996-30	9100 PSI	30
H900-996-32	9100 PSI	32
H900-996-40	9100 PSI	40
H900-996-60	9100 PSI	60
H900-996-78	9100 PSI	78
H900-996-98	9100 PSI	98
H900-996-125	9100 PSI	125
H900-996-157	9100 PSI	157



# H900 SERIES HIGH PRESSURE MICRO HOSE ASSEMBLIES (CONTINUED)

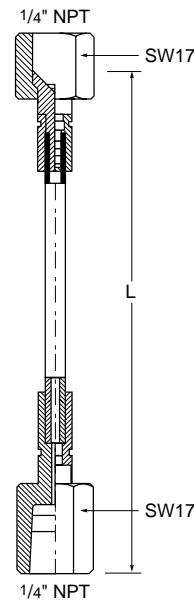
## HIGH PRESSURE HOSES M16 x 2 to 1/8" NPT F

PART NUMBER	WORKING PRESSURE	LENGTH (IN)
H900-998-10	9100 PSI	10
H900-998-12	9100 PSI	12
H900-998-16	9100 PSI	16
H900-998-20	9100 PSI	20
H900-998-24	9100 PSI	24
H900-998-30	9100 PSI	30
H900-998-32	9100 PSI	32
H900-998-40	9100 PSI	40
H900-998-60	9100 PSI	60
H900-998-78	9100 PSI	78
H900-989-98	9100 PSI	98
H900-998-125	9100 PSI	125
H900-998-157	9100 PSI	157

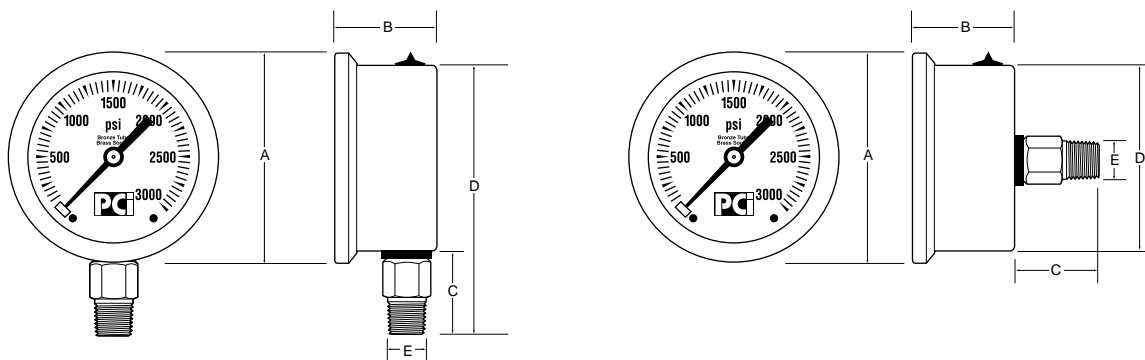


## HIGH PRESSURE HOSES 1/4 NPT F to 1/4" NPT F

PART NUMBER	WORKING PRESSURE	LENGTH (IN)
H900-999-08	9100 PSI	8
H900-999-10	9100 PSI	10
H900-999-12	9100 PSI	12
H900-999-16	9100 PSI	16
H900-999-20	9100 PSI	20
H900-999-24	9100 PSI	24
H900-999-30	9100 PSI	30
H900-999-32	9100 PSI	32
H900-999-40	9100 PSI	40
H900-999-60	9100 PSI	60
H900-999-78	9100 PSI	78
H900-999-98	9100 PSI	98
H900-999-125	9100 PSI	125
H900-999-157	9100 PSI	157



# PCLG SERIES – 2 1/2" STAINLESS CASE PRESSURE GAUGES



PART NUMBER	PRESSURE RANGE	CONNECTION (E)	SCALE	A	B	C	D
PCLG-30-0V	-30HG – 0 PSI	1/4" BOTTOM	PSI/BAR (x100=kPa)	2.80	1.28	1.07	3.55
PCLG-3030-C	-30HG – 30 PSI	1/4" BOTTOM	PSI/BAR (x100=kPa)	2.80	1.28	1.07	3.55
PCLG-30P	0 – 30 PSI	1/4" BOTTOM	PSI/BAR (x100=kPa)	2.80	1.28	1.07	3.55
PCLG-60P	0 – 60 PSI	1/4" BOTTOM	PSI/BAR (x100=kPa)	2.80	1.28	1.07	3.55
PCLG-100P	0 – 100 PSI	1/4" BOTTOM	PSI/BAR (x100=kPa)	2.80	1.28	1.07	3.55
PCLG-160P	0 – 160 PSI	1/4" BOTTOM	PSI/BAR (x100=kPa)	2.80	1.28	1.07	3.55
PCLG-200P	0 – 200 PSI	1/4" BOTTOM	PSI/BAR (x100=kPa)	2.80	1.28	1.07	3.55
PCLG-300P	0 – 300 PSI	1/4" BOTTOM	PSI/BAR (x100=kPa)	2.80	1.28	1.07	3.55
PCLG-600P	0 – 600 PSI	1/4" BOTTOM	PSI/BAR (x100=kPa)	2.80	1.28	1.07	3.55
PCLG-1000P	0 – 1000 PSI	1/4" BOTTOM	PSI/BAR (x100=kPa)	2.80	1.28	1.07	3.55
PCLG-2000P	0 – 2000 PSI	1/4" BOTTOM	PSI/BAR (x100=kPa)	2.80	1.28	1.07	3.55
PCLG-3000P	0 – 3000 PSI	1/4" BOTTOM	PSI/BAR (x100=kPa)	2.80	1.28	1.07	3.55
PCLG-5000P	0 – 5000 PSI	1/4" BOTTOM	PSI/BAR (x100=kPa)	2.80	1.28	1.07	3.55
PCLG-10,000P	0 – 10,000 PSI	1/4" BOTTOM	PSI/BAR (x100=kPa)	2.80	1.28	1.07	3.55

PART NUMBER	PRESSURE RANGE	CONNECTION (E)	SCALE	A	B	C	D
PCLG-30-0V-B	-30HG – 0 PSI	1/4" CENTER BACK	PSI/BAR (x100=kPa)	2.80	1.28	1.07	2.48
PCLG-3030-C-B	-30HG – 30 PSI	1/4" CENTER BACK	PSI/BAR (x100=kPa)	2.80	1.28	1.07	2.48
PCLG-30P-B	0 – 30 PSI	1/4" CENTER BACK	PSI/BAR (x100=kPa)	2.80	1.28	1.07	2.48
PCLG-60P-B	0 – 60 PSI	1/4" CENTER BACK	PSI/BAR (x100=kPa)	2.80	1.28	1.07	2.48
PCLG-100P-B	0 – 100 PSI	1/4" CENTER BACK	PSI/BAR (x100=kPa)	2.80	1.28	1.07	2.48
PCLG-160P-B	0 – 160 PSI	1/4" CENTER BACK	PSI/BAR (x100=kPa)	2.80	1.28	1.07	2.48
PCLG-200P-B	0 – 200 PSI	1/4" CENTER BACK	PSI/BAR (x100=kPa)	2.80	1.28	1.07	2.48
PCLG-300P-B	0 – 300 PSI	1/4" CENTER BACK	PSI/BAR (x100=kPa)	2.80	1.28	1.07	2.48
PCLG-600P-B	0 – 600 PSI	1/4" CENTER BACK	PSI/BAR (x100=kPa)	2.80	1.28	1.07	2.48
PCLG-1000P-B	0 – 1000 PSI	1/4" CENTER BACK	PSI/BAR (x100=kPa)	2.80	1.28	1.07	2.48
PCLG-2000P-B	0 – 2000 PSI	1/4" CENTER BACK	PSI/BAR (x100=kPa)	2.80	1.28	1.07	2.48
PCLG-3000P-B	0 – 3000 PSI	1/4" CENTER BACK	PSI/BAR (x100=kPa)	2.80	1.28	1.07	2.48
PCLG-5000P-B	0 – 5000 PSI	1/4" CENTER BACK	PSI/BAR (x100=kPa)	2.80	1.28	1.07	2.48
PCLG-10,000P-B	0 – 10,000 PSI	1/4" CENTER BACK	PSI/BAR (x100=kPa)	2.80	1.28	1.07	2.48

## ACCESSORIES:

PART NUMBER	DESCRIPTION
PC-01	BACK MOUNT PANEL CLAMP
PC-02	PANEL FLANGE

**CONSTRUCTION:** STAINLESS STEEL CASE  
BRONZE BOURDON TUBE  
GLYCERINE FILLED

**ACCURACY:** 1.5% FULL SCALE  
**TEMPERATURE:** -30°F – 160°F

**PGI** 1-800-322-9527

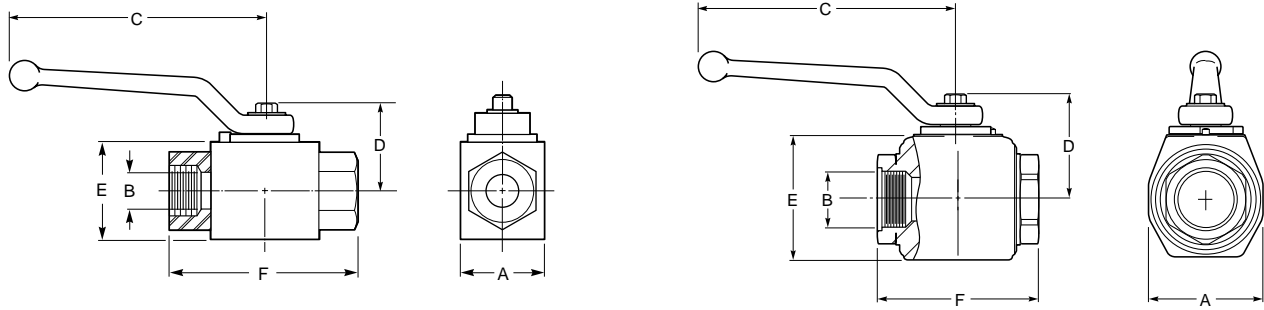


## SECTION 4



## VALVES

# BKH/SKH SERIES HIGH PRESSURE BALL VALVES – STEEL



PART NUMBER	NOMINAL SIZE	THREAD	WORKING PRESSURE	INCH DIMENSIONS					
				A	B	C	D	E	F
BKH-14-NPT-1125	1/4"	1/4" NPT F	7350 PSI						
BKH-14-BSP-1125	1/4"	1/4" BSP P	7350 PSI	1.02	.24	4.21	1.20	1.26	2.72
BKH-14-SAE-1125	1/4"	7/16-20 UNF	7350 PSI						
BKH-38-NPT-1125	3/8"	3/8" NPT F	7350 PSI						
BKH-38-BSP-1125	3/8"	3/8" BSP P	7350 PSI	1.26	.39	4.21	1.29	1.50	2.87
BKH-38-SAE-1125	3/8"	9/16-18 UNF	7350 PSI						
BKH-12-NPT-1125	1/2"	1/2" NPT F	7350 PSI						
BKH-12-BSP-1125	1/2"	1/2" BSP P	7350 PSI	1.38	.51	4.21	1.31	1.57	3.62
BKH-12-SAE-1125	1/2"	3/4-16 UNF	7350 PSI						
BKH-34-NPT-1125	3/4"	3/4" NPT F	5880 PSI						
BKH-34-BSP-1125	3/4"	3/4" BSP P	5880 PSI	1.93	.79	6.50	1.91	2.24	3.82
BKH-34-SAE-1125	3/4"	1 1/16-12 UNF	5880 PSI						
BKH-1-NPT-1125	1"	1" NPT F	5145 PSI						
BKH-1-BSP-1125	1"	1" BSP P	5145 PSI	2.36	.94	6.50	1.95	2.36	4.45
BKH-1-SAE-1125	1"	1 5/16-12 UNF	5145 PSI						
* BKH-114-NPT-1125	1"	1 1/4" NPT F	5145 PSI						
* BKH-114-BSP-1125	1"	1 1/4" BSP P	5145 PSI	2.36	.94	6.50	1.95	2.36	5.16
* BKH-114-SAE-1125	1"	1 5/8-12 UNF	5145 PSI						
* BKH-112-NPT-1125	1"	1 1/2" NPT F	5145 PSI						
* BKH-112-BSP-1125	1"	1 1/2" BSP P	5145 PSI	2.36	.94	6.50	1.95	2.36	5.47
* BKH-112-SAE-1125	1"	1 7/8-12 UNF	5145 PSI						
SKH-114-NPT-3125	1 1/4"	1 1/4" NPT F	6175 PSI						
SKH-114-BSP-3125	1 1/4"	1 1/4" BSP P	6175 PSI	2.99	1.26	8.30	2.60	3.30	4.50
SKH-114-SAE-3125	1 1/4"	1 5/8-12 UNF	6175 PSI						
SKH-112-NPT-3125	1 1/2"	1 1/2" NPT F	6175 PSI						
SKH-112-BSP-3125	1 1/2"	1 1/2" BSP P	6175 PSI	3.27	1.50	8.30	2.73	3.62	5.30
SKH-112-SAE-3125	1 1/2"	1 7/8-12 UNF	6175 PSI						
SKH-2-NPT-3125	2"	2" NPT F	6175 PSI						
SKH-2-BSP-3125	2"	2" BSP P	6175 PSI	3.94	1.89	8.50	3.15	4.37	5.50
SKH-2-SAE-3125	2"	2 1/2-12 UNF	6175 PSI						

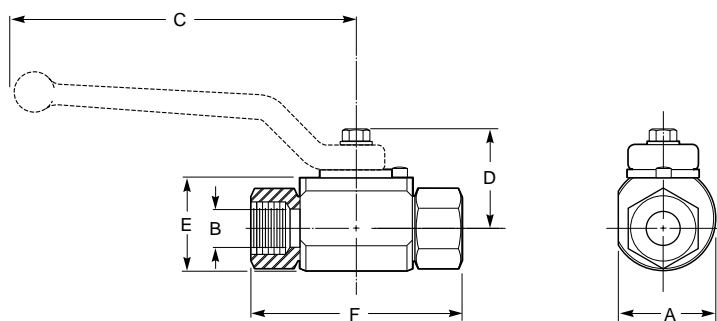
**CONSTRUCTION: STEEL BODY, BALL AND STEM  
VITON® "O" RINGS  
DELRIN® BALL SEATS  
FULL PORT**

\*REDUCED TO 1" PORT

SIDE OR TOP DRILLED AND TAPPED MOUNTING HOLES AVAILABLE. CONTACT PCI FOR A TECHNICAL DRAWING.  
AVAILABLE FOR BKH/SKH AND BK3/SK3 SERIES.  
HIGHER PRESSURE FULL PORT BALL VALVES RANGING FROM 6175 PSI TO 8820 PSI IN SIZES 1/4"-1" ARE AVAILABLE WITH A FORGED STEEL BODY. CONTACT PCI FOR DETAILS.



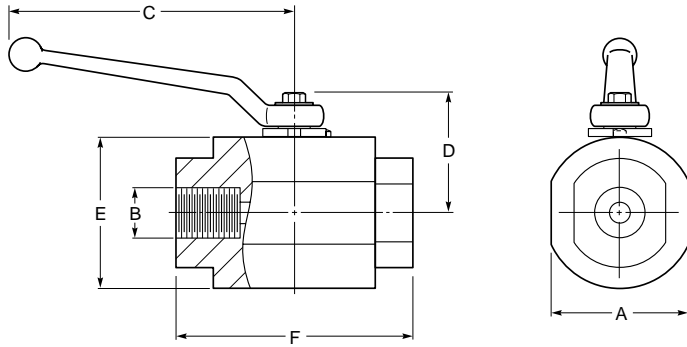
# RKH SERIES HIGH PRESSURE BALL VALVES – 316 STAINLESS



PART NUMBER	NOMINAL SIZE	THREAD	WORKING PRESSURE	A	B	INCH DIMENSIONS C	D	E	F
RKH-14-NPT-4425	1/4"	1/4" NPT F	5880 PSI						
RKH-14-BSP-4425	1/4"	1/4" BSP P	5880 PSI	1.38	.24	4.21	1.20	1.25	2.72
RKH-14-SAE-4425	1/4"	7/16-20 UNF	5880 PSI						
RKH-38-NPT-4425	3/8"	3/8" NPT F	5880 PSI						
RKH-38-BSP-4425	3/8"	3/8" BSP P	5880 PSI	1.38	.31	4.21	1.20	1.25	2.87
RKH-38-SAE-4425	3/8"	9/16-18 UNF	5880 PSI						
RKH-12-NPT-4425	1/2"	1/2" NPT F	5880 PSI						
RKH-12-BSP-4425	1/2"	1/2" BSP P	5880 PSI	1.65	.51	4.21	1.29	1.49	3.62
RKH-12-SAE-4425	1/2"	3/4-16 UNF	5880 PSI						
RKH-34-NPT-4425	3/4"	3/4" NPT F	5880 PSI						
RKH-34-BSP-4425	3/4"	3/4" BSP P	5880 PSI	1.77	.79	6.50	1.33	1.57	3.82
RKH-34-SAE-4425	3/4"	1 1/16-12 UNF	5880 PSI						
RKH-1-NPT-4425	1"	1" NPT F	5880 PSI						
RKH-1-BSP-4425	1"	1" BSP P	5880 PSI	1.97	.94	6.50	1.69	1.81	4.45
RKH-1-SAE-4425	1"	1 5/16-12 UNF	5880 PSI						
RKH-114-NPT-4425	1 1/4"	1 1/4" NPT F	5145 PSI						
RKH-114-BSP-4425	1 1/4"	1 1/4" BSP P	5145 PSI	3.54	1.25	8.30	2.59	3.30	6.54
RKH-114-SAE-4425	1 1/4"	1 5/8-12 UNF	5145 PSI						
RKH-112-NPT-4425	1 1/2"	1 1/2" NPT F	5145 PSI						
RKH-112-BSP-4425	1 1/2"	1 1/2" BSP P	5145 PSI	3.26	1.49	8.30	2.73	3.62	7.14
RKH-112-SAE-4425	1 1/2"	1 7/8-12 UNF	5145 PSI						
RKH-2-NPT-4425	2"	2" NPT F	5145 PSI						
RKH-2-BSP-4425	2"	2" BSP P	5145 PSI	3.94	1.89	8.50	3.15	4.37	9.30
RKH-2-SAE-4425	2"	2 1/2-12 UNF	5145 PSI						

**CONSTRUCTION:** "316" STAINLESS STEEL BODY, BALL AND STEM  
 VITON® "O" RINGS  
 DELRIN® BALL SEATS  
 FULL PORT

# HRKH SERIES ULTRA HIGH PRESSURE BALL VALVES – STEEL / STAINLESS



## STEEL

PART NUMBER	NOMINAL SIZE	THREAD	WORKING PRESSURE	INCH DIMENSIONS					
				A	B	C	D	E	F
HRKH-14-NPT-3923	1/2"	1/4" NPT F	11,760 PSI	2.13	.24	4.21	1.61	2.76	3.54
HRKH-38-NPT-3923	1/2"	3/8" NPT F	11,760 PSI	2.13	.35	4.21	1.61	2.76	3.54
HRKH-12-NPT-3923	1/2"	1/2" NPT F	11,760 PSI	2.13	.35	4.21	1.61	2.76	3.54
HRKH-34-NPT-3923	3/4"	3/4" NPT F	11,760 PSI	2.91	.51	6.49	2.20	3.76	4.33
HRKH-1-NPT-3923	1"	1" NPT F	11,760 PSI	3.54	.67	6.49	2.50	4.35	4.72
HRKH-114-NPT-3923	1"	1 1/4" NPT F	11,760 PSI	3.54	.67	6.49	2.50	4.35	4.72

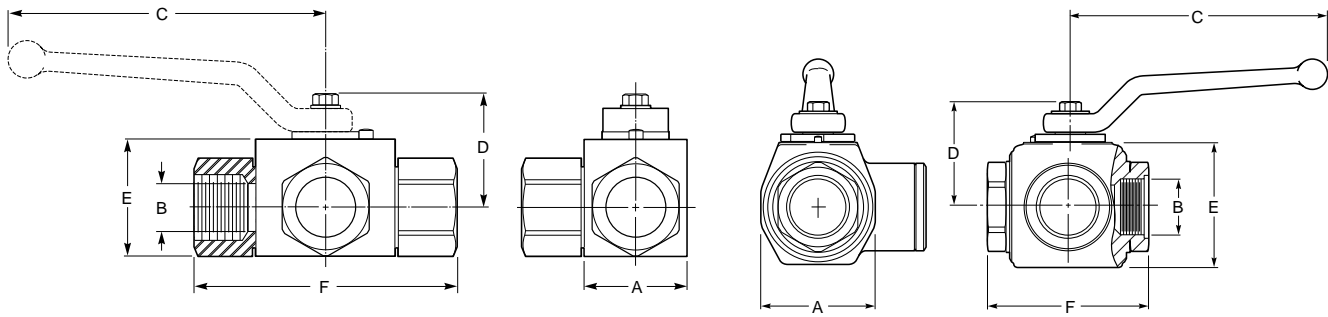
**CONSTRUCTION:** STEEL BODY, BALL AND STEM  
 BUNA-N "O" RINGS  
 DELRIN® BALL SEATS  
 REDUCED PORT SIZES 1/2"-1 1/4"

## 316 STAINLESS STEEL

PART NUMBER	NOMINAL SIZE	THREAD	WORKING PRESSURE	INCH DIMENSIONS					
				A	B	C	D	E	F
HRKH-14-NPT-4425	1/4"	1/4" NPT F	9600 PSI	1.83	.24	4.21	1.41	2.38	3.78
HRKH-38-NPT-4425	3/8"	3/8" NPT F	11,760 PSI	2.13	.35	4.21	1.61	2.76	3.54
HRKH-12-NPT-4425	1/2"	1/2" NPT F	11,760 PSI	2.13	.35	4.21	1.61	2.76	3.54
HRKH-34-NPT-4425	3/4"	3/4" NPT F	10,290 PSI	2.91	.51	6.49	2.20	3.76	4.33
HRKH-1-NPT-4425	1"	1" NPT F	11,760 PSI	3.54	.67	6.49	2.50	4.35	4.72
HRKH-114-NPT-4425	1"	1 1/4" NPT F	9600 PSI	3.54	.67	6.49	2.50	4.35	4.72

**CONSTRUCTION:** "316" STAINLESS STEEL BODY, BALL AND STEM  
 VITON® "O" RINGS  
 DELRIN® BALL SEATS  
 REDUCED PORT SIZES 1/2"-1 1/4"

# BK3/SK3 SERIES HIGH PRESSURE SELECTOR BALL VALVES – STEEL



PART NUMBER	NOMINAL SIZE	THREAD	WORKING PRESSURE	A	B	INCH DIMENSIONS C	D	E	F
BK3-14-NPT-1125-L	1/4"	1/4" NPT F	5880 PSI						
BK3-14-BSP-1125-L	1/4"	1/4" BSP P	5880 PSI	1.02	.24	4.21	1.20	1.26	2.72
BK3-14-SAE-1125-L	1/4"	7/16-20 UNF	5880 PSI						
BK3-38-NPT-1125-L	3/8"	3/8" NPT F	5880 PSI						
BK3-38-BSP-1125-L	3/8"	3/8" BSP P	5880 PSI	1.26	.39	4.21	1.29	1.50	2.87
BK3-38-SAE-1125-L	3/8"	9/16-18 UNF	5880 PSI						
BK3-12-NPT-1125-L	1/2"	1/2" NPT F	5145 PSI						
BK3-12-BSP-1125-L	1/2"	1/2" BSP P	5145 PSI	1.38	.51	4.21	1.31	1.57	3.62
BK3-12-SAE-1125-L	1/2"	3/4-16 UNF	5145 PSI						
BK3-34-NPT-1125-L	3/4"	3/4" NPT F	5145 PSI						
BK3-34-BSP-1125-L	3/4"	3/4" BSP P	5145 PSI	1.93	.79	6.50	1.91	2.24	3.82
BK3-34-SAE-1125-L	3/4"	1 1/16-12 UNF	5145 PSI						
BK3-1-NPT-1125-L	1"	1" NPT F	5145 PSI						
BK3-1-BSP-1125-L	1"	1" BSP P	5145 PSI	2.36	.94	6.50	1.95	2.36	4.45
BK3-1-SAE-1125-L	1"	1 5/16-12 UNF	5145 PSI						
SK3-114-NPT-3125-L	1 1/4"	1 1/4" NPT F	5145 PSI						
SK3-114-BSP-3125-L	1 1/4"	1 1/4" BSP P	5145 PSI	2.99	1.18	8.50	2.60	3.30	4.53
SK3-114-SAE-3125-L	1 1/4"	1 5/8-12 UNF	5145 PSI						
SK3-112-NPT-3125-L	1 1/2"	1 1/2" NPT F	5145 PSI						
SK3-112-BSP-3125-L	1 1/2"	1 1/2" BSP P	5145 PSI	3.27	1.37	8.30	2.73	3.62	4.81
SK3-112-SAE-3125-L	1 1/2"	1 7/8-12 UNF	5145 PSI						
SK3-2-NPT-3125-L	2"	2" NPT F	5145 PSI						
SK3-2-BSP-3125-L	2"	2" BSP P	5145 PSI	3.94	1.73	8.30	3.15	4.37	5.53
SK3-2-SAE-3125-L	2"	2 1/2-12 UNF	5145 PSI						

## CONSTRUCTION:

### LAST 4 DIGITS:

### DESCRIPTION:

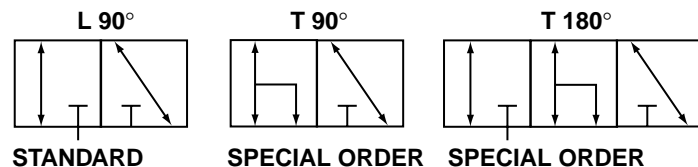
-1125

**CARBON STEEL BLOCK BODY,  
STEEL BALL AND STEM  
VITON® "O" RINGS  
DELTRIN® BALL SEATS**

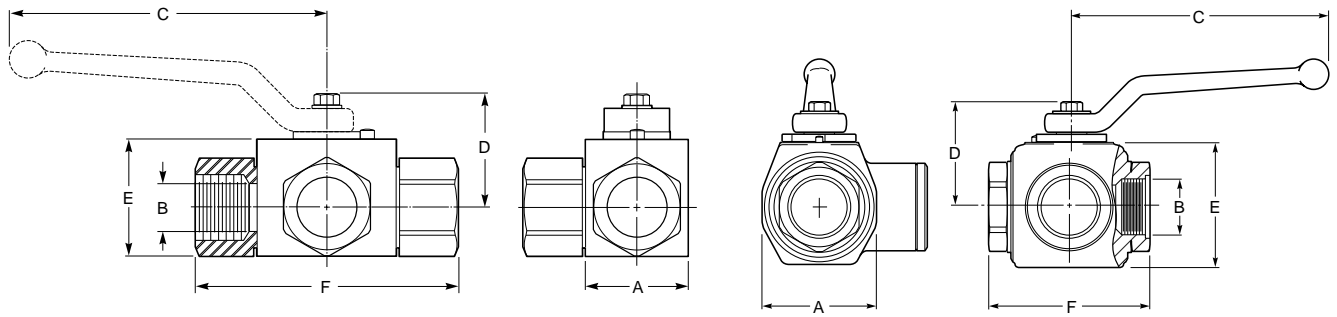
-3125

**FORGED STEEL BODY,  
STEEL BALL AND STEM  
VITON® "O" RINGS  
DELTRIN® BALL SEATS**

**NOTE:** The sealing function of the BK3/SK3 standard valves is only given when the pressure standing on the closed port is less than or equal to the inlet pressure of the open port. To apply pressure to any port, a special variation is required, add "A" to the end of the part number. Extra lead time and cost will apply.



# BK3/SK3 SERIES HIGH PRESSURE SELECTOR BALL VALVES – 316 STAINLESS

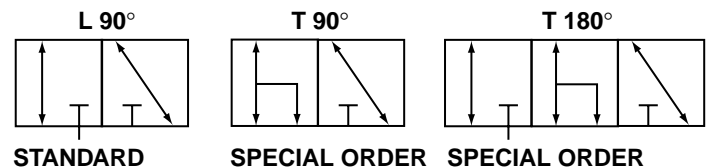


PART NUMBER	NOMINAL SIZE	THREAD	WORKING PRESSURE	A	B	INCH DIMENSIONS C	D	E	F
BK3-14-NPT-4425-L	1/4"	1/4" NPT F	5880 PSI						
BK3-14-BSP-4425-L	1/4"	1/4" BSP P	5880 PSI	2.02	.24	4.21	1.50	1.38	2.72
BK3-14-SAE-4425-L	1/4"	7/16-20 UNF	5880 PSI						
BK3-38-NPT-4425-L	3/8"	3/8" NPT F	5880 PSI						
BK3-38-BSP-4425-L	3/8"	3/8" BSP P	5880 PSI	2.26	.35	4.21	1.32	1.57	2.87
BK3-38-SAE-4425-L	3/8"	9/16-18 UNF	5880 PSI						
BK3-12-NPT-4425-L	1/2"	1/2" NPT F	5145 PSI						
BK3-12-BSP-4425-L	1/2"	1/2" BSP P	5145 PSI	2.60	.45	4.21	1.54	1.57	3.62
BK3-12-SAE-4425-L	1/2"	3/4-16 UNF	5145 PSI						
BK3-34-NPT-4425-L	3/4"	3/4" NPT F	5145 PSI						
BK3-34-BSP-4425-L	3/4"	3/4" BSP P	5145 PSI	3.08	.71	6.50	1.93	2.24	3.82
BK3-34-SAE-4425-L	3/4"	1 1/16-12 UNF	5145 PSI						
BK3-1-NPT-4425-L	1"	1" NPT F	5145 PSI						
BK3-1-BSP-4425-L	1"	1" BSP P	5145 PSI	3.27	.87	6.50	2.03	2.56	4.45
BK3-1-SAE-4425-L	1"	1 5/16-12 UNF	5145 PSI						
SK3-114-NPT-4425-L	1 1/4"	1 1/4" NPT F	5145 PSI						
SK3-114-BSP-4425-L	1 1/4"	1 1/4" BSP P	5145 PSI	3.85	1.18	8.30	2.40	3.15	4.52
SK3-114-SAE-4425-L	1 1/4"	1 5/8-12 UNF	5145 PSI						
SK3-112-NPT-4425-L	1 1/2"	1 1/2" NPT F	5145 PSI						
SK3-112-BSP-4425-L	1 1/2"	1 1/2" BSP P	5145 PSI	4.32	1.38	8.30	2.64	3.54	5.43
SK3-112-SAE-4425-L	1 1/2"	1 7/8-12 UNF	5145 PSI						
SK3-2-NPT-4425-L	2"	2" NPT F	5145 PSI						
SK3-2-BSP-4425-L	2"	2" BSP P	5145 PSI	4.92	1.73	8.30	3.03	4.72	5.51
SK3-2-SAE-4425-L	2"	2 1/2-12 UNF	5145 PSI						

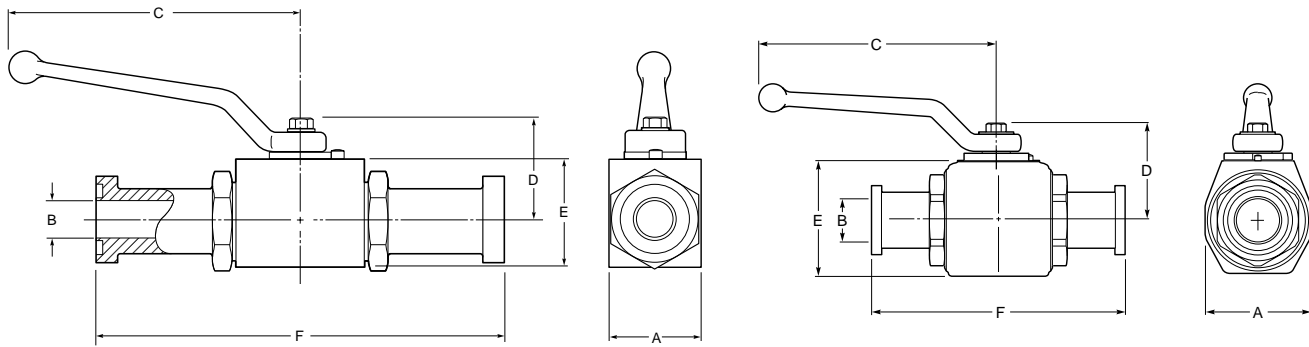
## CONSTRUCTION:

**LAST 4 DIGITS: -4425** DESCRIPTION: **316-STAINLESS STEEL BODY, BALL AND STEM VITON® "O" RINGS DELRIN® BALL SEATS**

**NOTE:** The sealing function of the BK3/SK3 standard valves is only given when the pressure standing on the closed port is less than or equal to the inlet pressure of the open port. To apply pressure to any port, a special variation is required, add "-A" to the end of the part number. Extra lead time and cost will apply.



# BKH/SKH CODE 61 / 62 SPLIT FLANGE BALL VALVES – STEEL/STAINLESS STEEL

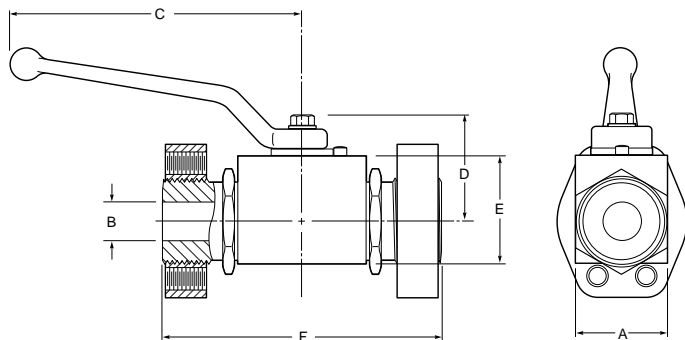


PART NUMBER	NOMINAL SIZE	MATERIAL	WORKING PRESSURE	CODE	A	B	INCH DIMENSIONS C	D	E	F
BKH-13-SAE-3000-S-1125	1/2"	STEEL	3000 PSI							
BKH-13-SAE-3000-S-4425	1/2"	STAINLESS	3000 PSI	61	1.37	.49	4.21	1.32	1.57	5.95
BKH-13-SAE-6000-S-1125	1/2"	STEEL	6000 PSI							
BKH-13-SAE-6000-S-4425	1/2"	STAINLESS	6000 PSI	62	1.37	.49	4.21	1.32	1.57	5.95
BKH-20-SAE-3000-S-1125	3/4"	STEEL	3000 PSI							
BKH-20-SAE-3000-S-4425	3/4"	STAINLESS	3000 PSI	61	1.93	.75	6.50	1.90	2.24	6.38
BKH-20-SAE-6000-S-1125	3/4"	STEEL	6000 PSI							
BKH-20-SAE-6000-S-4425	3/4"	STAINLESS	6000 PSI	62	1.93	.75	6.50	1.90	2.24	6.85
BKH-25-SAE-3000-S-1125	1"	STEEL	3000 PSI							
BKH-25-SAE-3000-S-4425	1"	STAINLESS	3000 PSI	61	2.36	.95	6.50	1.95	2.36	7.00
BKH-25-SAE-6000-S-1125	1"	STEEL	6000 PSI							
BKH-25-SAE-6000-S-4425	1"	STAINLESS	6000 PSI	62	2.36	.95	6.50	1.95	2.36	7.80
SKH-32-SAE-3000-S-3125	1 1/4"	STEEL	3000 PSI							
SKH-32-SAE-3000-S-4425	1 1/4"	STAINLESS	3000 PSI	61	2.99	1.25	8.30	2.60	3.30	7.50
SKH-32-SAE-6000-S-3125	1 1/4"	STEEL	6000 PSI							
SKH-32-SAE-6000-S-4425	1 1/4"	STAINLESS	6000 PSI	62	2.99	1.25	8.30	2.60	3.30	8.78
SKH-40-SAE-3000-S-3125	1 1/2"	STEEL	3000 PSI							
SKH-40-SAE-3000-S-4425	1 1/2"	STAINLESS	3000 PSI	61	3.27	1.50	8.30	2.74	3.62	9.10
SKH-40-SAE-6000-S-3125	1 1/2"	STEEL	6000 PSI							
SKH-40-SAE-6000-S-4425	1 1/2"	STAINLESS	6000 PSI	62	3.27	1.50	8.30	2.74	3.62	11.07
SKH-50-SAE-3000-S-3125	2"	STEEL	3000 PSI							
SKH-50-SAE-3000-S-4425	2"	STAINLESS	3000 PSI	61	3.94	1.89	8.30	3.15	4.37	9.14
SKH-50-SAE-6000-S-3125	2"	STEEL	6000 PSI							
SKH-50-SAE-6000-S-4425	2"	STAINLESS	6000 PSI	62	3.94	1.89	8.30	3.15	4.37	12.44
SKH-65/50-SAE-3000-S-3125	2"x 2 1/2"	STEEL	3000 PSI							
SKH-65/50-SAE-3000-S-4425	2"x 2 1/2"	STAINLESS	3000 PSI	61	CF	CF	CF	CF	CF	CF
SKH-65/50-SAE-6000-S-3125	2"x 2 1/2"	STEEL	6000 PSI							
SKH-65/50-SAE-6000-S-4425	2"x 2 1/2"	STAINLESS	6000 PSI	62	CF	CF	CF	CF	CF	CF

## CONSTRUCTION:

LAST 4 DIGITS:	DESCRIPTION:
-1125	CARBON STEEL BLOCK BODY, STEEL BALL AND STEM VITON® "O" RINGS DELTRIN® BALL SEATS
-3125	FORGED STEEL BODY, STEEL BALL AND STEM VITON® "O" RINGS DELTRIN® BALL SEATS
-4425	316-STAINLESS STEEL BODY, BALL AND STEM VITON® "O" RINGS DELTRIN® BALL SEATS

# BKH/SKH CODE 61 / 62 4-BOLT FLANGE BALL VALVES – STEEL / STAINLESS STEEL



Shown with Flange removed

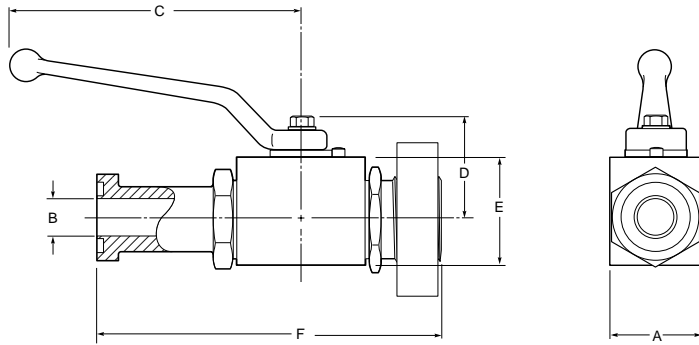
PART NUMBER	NOMINAL SIZE	MATERIAL	WORKING PRESSURE	CODE	INCH DIMENSIONS						BOLT SIZE	
					A	B	C	D	E	F	METRIC	UNC
BKH-13-SAE-3000-F-1123	1/2"	STEEL	3000 PSI	61	1.37	.49	4.21	1.32	1.57	4.09	M8	5/16-18
BKH-13-SAE-3000-F-4425	1/2"	STAINLESS	3000 PSI									
BKH-13-SAE-6000-F-1123	1/2"	STEEL	6000 PSI	62	1.37	.49	4.21	1.32	1.57	4.09	M8	5/16-18
BKH-13-SAE-6000-F-4425	1/2"	STAINLESS	6000 PSI									
BKH-20-SAE-3000-F-1123	3/4"	STEEL	3000 PSI	61	1.93	.75	6.50	1.90	2.24	4.76	M10	3/8-16
BKH-20-SAE-3000-F-4425	3/4"	STAINLESS	3000 PSI									
BKH-20-SAE-6000-F-1123	3/4"	STEEL	6000 PSI	62	1.93	.75	6.50	1.90	2.24	4.76	M10	3/8-16
BKH-20-SAE-6000-F-4425	3/4"	STAINLESS	6000 PSI									
BKH-25-SAE-3000-F-1123	1"	STEEL	3000 PSI	61	2.36	.95	6.50	1.95	2.36	5.24	M10	3/8-16
BKH-25-SAE-3000-F-4425	1"	STAINLESS	3000 PSI									
BKH-25-SAE-6000-F-1123	1"	STEEL	6000 PSI	62	2.36	.95	6.50	1.95	2.36	5.24	M12	7/16-14
BKH-25-SAE-6000-F-4425	1"	STAINLESS	6000 PSI									
SKH-32-SAE-3000-F-3123	1 1/4"	STEEL	3000 PSI	61	2.99	1.25	8.30	2.60	3.30	6.42	M10	7/16-14
SKH-32-SAE-3000-F-4425	1 1/4"	STAINLESS	3000 PSI									
SKH-32-SAE-6000-F-3123	1 1/4"	STEEL	6000 PSI	62	2.99	1.25	8.30	2.60	3.30	6.42	M14	1/2-13
SKH-32-SAE-6000-F-4425	1 1/4"	STAINLESS	6000 PSI									
SKH-40-SAE-3000-F-3123	1 1/2"	STEEL	3000 PSI	61	3.27	1.50	8.30	2.74	3.62	6.61	M12	1/2-13
SKH-40-SAE-3000-F-4425	1 1/2"	STAINLESS	3000 PSI									
SKH-40-SAE-6000-F-3123	1 1/2"	STEEL	6000 PSI	62	3.27	1.50	8.30	2.74	3.62	6.61	M16	5/8-11
SKH-40-SAE-6000-F-4425	1 1/2"	STAINLESS	6000 PSI									
SKH-50-SAE-3000-F-3123	2"	STEEL	3000 PSI	61	3.94	1.89	8.30	3.15	4.37	7.32	M12	1/2-13
SKH-50-SAE-3000-F-4425	2"	STAINLESS	3000 PSI									
SKH-50-SAE-6000-F-3123	2"	STEEL	6000 PSI	62	3.94	1.89	8.30	3.15	4.37	7.32	M20	3/4-10
SKH-50-SAE-6000-F-4425	2"	STAINLESS	6000 PSI									
SKH-65/50-SAE-3000-F-3123	2"	STEEL	3000 PSI	61	CF	1.89	CF	CF	CF	6.85	M12	1/2-13
SKH-65/50-SAE-3000-F-4425	2"	STAINLESS	3000 PSI									

CF = CONTACT FACTORY

## CONSTRUCTION:

LAST 4 DIGITS:	DESCRIPTION:
-1123	CARBON STEEL BLOCK BODY, STEEL BALL AND STEM BUNA-N "O" RINGS DELTRIN® BALL SEATS
-3123	FORGED STEEL BODY, STEEL BALL AND STEM BUNA-N "O" RINGS DELTRIN® BALL SEATS
-4425	316-STAINLESS STEEL BODY, BALL AND STEM VITON® "O" RINGS DELTRIN® BALL SEATS

# BKH/SKH CODE 61 / 62 4-BOLT FLANGE X SPLIT FLANGE BALL VALVES – STEEL / STAINLESS

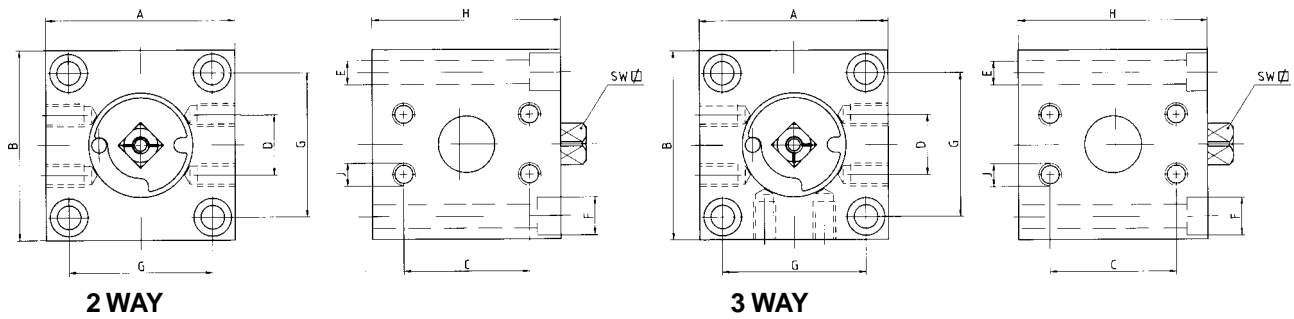


PART NUMBER	NOMINAL SIZE	MATERIAL	WORKING PRESSURE	CODE	A	B	C	D	E	F	BOLT SIZE METRIC	UNC
BKH-13-SAE-3000-D/S-1123	1/2"	STEEL	3000 PSI	61	1.37	.49	4.21	1.32	1.57	5.02	M8	5/16-18
BKH-13-SAE-3000-D/S-4425	1/2"	STAINLESS	3000 PSI									
BKH-13-SAE-6000-D/S-1123	1/2"	STEEL	6000 PSI	62	1.37	.49	4.21	1.32	1.57	5.02	M8	5/16-18
BKH-13-SAE-6000-D/S-4425	1/2"	STAINLESS	6000 PSI									
BKH-20-SAE-3000-D/S-1123	3/4"	STEEL	3000 PSI	61	1.93	.75	6.50	1.90	2.24	5.57	M10	3/8-16
BKH-20-SAE-3000-D/S-4425	3/4"	STAINLESS	3000 PSI									
BKH-20-SAE-6000-D/S-1123	3/4"	STEEL	6000 PSI	62	1.93	.75	6.50	1.90	2.24	5.81	M10	3/8-16
BKH-20-SAE-6000-D/S-4425	3/4"	STAINLESS	6000 PSI									
BKH-25-SAE-3000-D/S-1123	1"	STEEL	3000 PSI	61	2.36	.95	6.50	1.95	2.36	6.12	M10	3/8-16
BKH-25-SAE-3000-D/S-4425	1"	STAINLESS	3000 PSI									
BKH-25-SAE-6000-D/S-1123	1"	STEEL	6000 PSI	62	2.36	.95	6.50	1.95	2.36	6.52	M12	7/16-14
BKH-25-SAE-6000-D/S-4425	1"	STAINLESS	6000 PSI									
SKH-32-SAE-3000-D/S-3123	1 1/4"	STEEL	3000 PSI	61	2.99	1.25	8.30	2.60	3.30	6.95	M10	7/16-14
SKH-32-SAE-3000-D/S-4425	1 1/4"	STAINLESS	3000 PSI									
SKH-32-SAE-6000-D/S-3123	1 1/4"	STEEL	6000 PSI	62	2.99	1.25	8.30	2.60	3.30	7.60	M14	1/2-13
SKH-32-SAE-6000-D/S-4425	1 1/4"	STAINLESS	6000 PSI									
SKH-40-SAE-3000-D/S-3123	1 1/2"	STEEL	3000 PSI	61	3.27	1.50	8.30	2.74	3.62	7.85	M12	1/2-13
SKH-40-SAE-3000-D/S-4425	1 1/2"	STAINLESS	3000 PSI									
SKH-40-SAE-6000-D/S-3123	1 1/2"	STEEL	6000 PSI	62	3.27	1.50	8.30	2.74	3.62	8.86	M16	5/8-11
SKH-40-SAE-6000-D/S-4425	1 1/2"	STAINLESS	6000 PSI									
SKH-50-SAE-3000-D/S-3123	2"	STEEL	3000 PSI	61	3.94	1.89	8.30	3.15	4.37	8.23	M12	1/2-13
SKH-50-SAE-3000-D/S-4425	2"	STAINLESS	3000 PSI									
SKH-50-SAE-6000-D/S-3123	2"	STEEL	6000 PSI	62	3.94	1.89	8.30	3.15	4.37	9.88	M20	3/4-10
SKH-50-SAE-6000-D/S-4425	2"	STAINLESS	6000 PSI									
SKH-65/50-SAE-3000-D/S-3123	2"x 2 1/2"	STEEL	3000 PSI	61	3.94	1.89	8.30	3.15	4.37	CF	M12	1/2-13
SKH-65/50-SAE-3000-D/S-4425	2"x 2 1/2"	STAINLESS	3000 PSI									

## CONSTRUCTION:

LAST 4 DIGITS:	DESCRIPTION:
-1123	CARBON STEEL BLOCK BODY, STEEL BALL AND STEM BUNA-N "O" RINGS DELTRIN® BALL SEATS
-3123	FORGED STEEL BODY, STEEL BALL AND STEM BUNA-N "O" RINGS DELTRIN® BALL SEATS
-4425	316-STAINLESS STEEL BODY, BALL AND STEM VITON® "O" RINGS DELTRIN® BALL SEATS

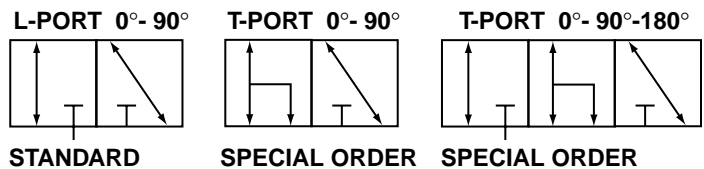
# PV2 / PV3 SERIES 4-BOLT DIRECT MOUNT – CODE 62 – BALL VALVES – STEEL



PART NUMBER	NOMINAL SIZE	WORKING PRESSURE	PORTING	INCH DIMENSIONS							
				A	B	C	D	H	H1	H2	BOLT J
PV2-13-SAE-6000	1/2"	6000 PSI	2-WAY	2.36	2.36	1.59	.72	.35	.59	1.69	M8
PV3-13-SAE-6000	1/2"	6000 PSI	3-WAY								
PV2-20-SAE-6000	3/4"	6000 PSI	2-WAY	3.15	3.15	2.00	.94	.43	.71	2.36	M10
PV3-20-SAE-6000	3/4"	6000 PSI	3-WAY								
PV2-25-SAE-6000	1"	6000 PSI	2-WAY	3.70	3.70	2.25	1.09	.43	.71	2.76	M12
PV3-25-SAE-6000	1"	6000 PSI	3-WAY								
PV2-32-SAE-6000	1 1/4"	6000 PSI	2-WAY	3.94	3.94	2.63	1.25	.49	.79	2.99	M14
PV3-32-SAE-6000	1 1/4"	6000 PSI	3-WAY								
PV2-40-SAE-6000	1 1/2"	6000 PSI	2-WAY	4.33	4.33	3.13	1.44	.49	.79	3.31	M16
PV3-40-SAE-6000	1 1/2"	6000 PSI	3-WAY								
PV2-50-SAE-6000	2"	6000 PSI	2-WAY	5.12	5.12	3.81	1.75	.49	.79	4.25	M20
PV3-50-SAE-6000	2"	6000 PSI	3-WAY								

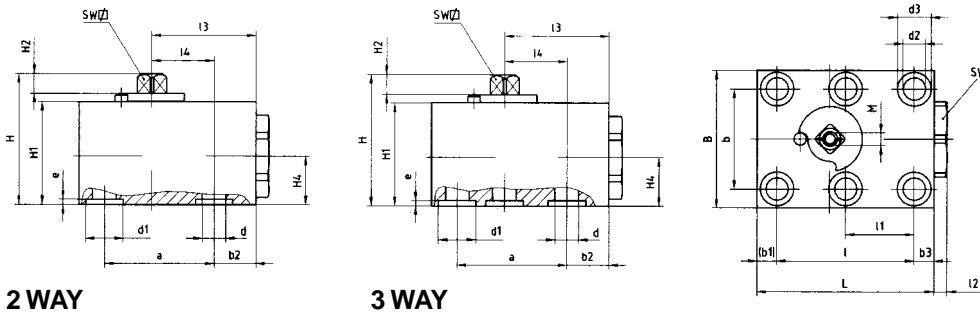
**CONSTRUCTION:** STEEL BODY, BALL AND STEM  
 DELRIN® BALL SEATS  
 BUNA N "O" RINGS

**PORTING CONFIGURATIONS:** The sealing function of PV3-standard valves is only given when the pressure standing on the closed port is zero or if the pressure between the connected ports is higher than the pressure on the closed port. To apply **pressure from all ports** (PN1 = PN2), a special variant is required. Add **A** to the order code.





# BKHU SERIES MANIFOLD MOUNT 2 WAY – 3 WAY – STEEL



**2 WAY**

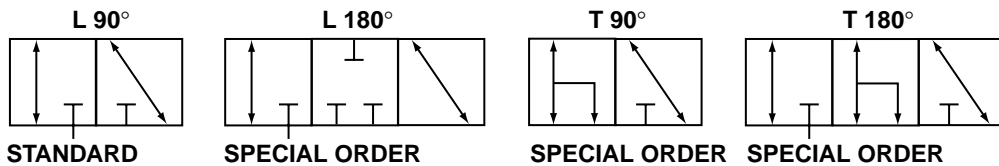
**3 WAY**

PART NUMBER	NOMINAL SIZE	WORKING PRESSURE	PORTS	a	B	b	d2	H	H1	H2	H4	L
BKHU-DN06-1125	1/4"	7250 PSI	2	1.54	1.93	1.38	.33	1.93	1.50	.31	.75	2.24
BKHU3-DN06-1125	1/4"	7250 PSI	3	1.54	1.93	1.38	.33	1.93	1.50	.31	.75	2.24
BKHU-DN10-1125	3/8"	7250 PSI	2	1.73	2.17	1.57	.35	2.05	1.61	.31	.75	2.80
BKHU3-DN10-1125	3/8"	7250 PSI	3	1.73	2.17	1.57	.35	2.05	1.61	.31	.75	2.80
BKHU-DN13-1125	1/2"	7250 PSI	2	2.28	2.36	1.77	.35	2.40	1.97	.31	1.06	3.88
BKHU3-DN13-1125	1/2"	7250 PSI	3	2.28	2.36	1.77	.35	2.40	1.97	.31	1.06	3.88
BKHU-DN20-1125	3/4"	5800 PSI	2	2.72	2.76	2.00	.41	3.39	2.76	.47	1.52	4.65
BKHU3-DN20-1125	3/4"	5800 PSI	3	2.72	2.76	2.00	.41	3.39	2.76	.47	1.52	4.65
BKHU-DN25-1125	1"	5800 PSI	2	3.19	3.15	2.36	.51	3.78	3.15	.47	1.77	5.39
BKHU3-DN25-1125	1"	5800 PSI	3	3.19	3.15	2.36	.51	3.78	3.15	.47	1.77	5.39
BKHU-DN32-1125	1 1/4"	4570 PSI	2	3.78	3.94	3.07	.51	4.69	3.94	.53	2.13	6.52
BKHU3-DN32-1125	1 1/4"	4570 PSI	3	3.78	3.94	3.07	.51	4.69	3.94	.53	2.13	6.52
BKHU-DN40-1125	1 1/2"	4570 PSI	2	4.41	5.12	3.74	.67	4.69	3.94	.53	1.97	7.20
BKHU3-DN40-1125	1 1/2"	4570 PSI	3	4.41	5.12	3.74	.67	4.69	3.94	.53	1.97	7.20
BKHU-DN50-1125	2"	4570 PSI	2	5.35	5.91	4.41	.87	5.28	4.53	.53	2.13	8.70
BKHU3-DN50-1125	2"	4570 PSI	3	5.35	5.91	4.41	.87	5.28	4.53	.53	2.13	8.70

**CONSTRUCTION:**

**LAST 4 DIGITS: -1125**      **DESCRIPTION:**  
**CARBON STEEL BLOCK BODY, STEEL BALL AND STEM**  
**VITON® "O" RINGS**  
**DELTRIN BALL SEATS**

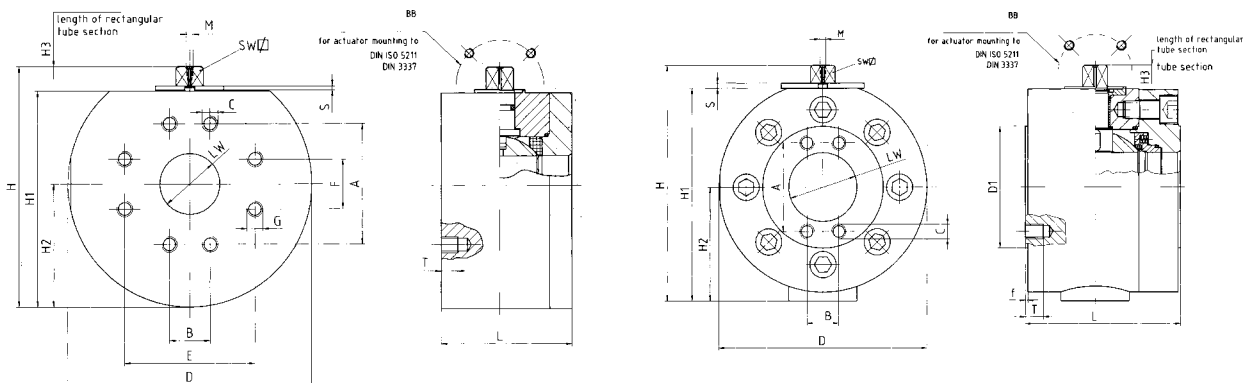
**PORTING CONFIGURATIONS:** The sealing function of the BKHU3 valves is only given when the pressure against the closed port is either zero or if the pressure between the connected ports is higher than that of the closed port.



**NOTE: STAINLESS STEEL VERSION AVAILABLE, CONTACT FACTORY FOR DETAILS.**

# FCKH SERIES FLANGED-WAFER STYLE BALL VALVES

## STEEL / STAINLESS ISO 6162-2



PART NUMBER	NOMINAL SIZE	MATERIAL	WORKING PRESSURE CODE 61	WORKING PRESSURE CODE 62
FCKH-DN25-SAE-3000/6000-3123	1"	STEEL	4567 PSI	5800 PSI
FCKH-DN25-SAE-3000/6000-4425	1"	STAINLESS	4567 PSI	5800 PSI
FCKH-DN32-SAE-3000/6000-3123	1 1/4"	STEEL	3625 PSI	5800 PSI
FCKH-DN32-SAE-3000/6000-4425	1 1/4"	STAINLESS	3625 PSI	5800 PSI
FCKH-DN40-SAE-3000/6000-3123	1 1/2"	STEEL	2900 PSI	5800 PSI
FCKH-DN40-SAE-3000/6000-4425	1 1/2"	STAINLESS	2900 PSI	5800 PSI
FCKH-DN50-SAE-3000/6000-3123	2"	STEEL	2900 PSI	5800 PSI
FCKH-DN50-SAE-3000/6000-4425	2"	STAINLESS	2900 PSI	5800 PSI
FCKH-DN65-SAE-3000-3923	2 1/2"	STEEL	2320 PSI	—
FCKH-DN65-SAE-3000-4925	2 1/2"	STAINLESS	2320 PSI	—
FCKH-DN65-SAE-6000-3923*	2 1/2"	STEEL	—	4640 PSI
FCKH-DN65-SAE-6000-4925*	2 1/2"	STAINLESS	—	4640 PSI
FCKH-DN80-SAE-3000-3923	3"	STEEL	1450 PSI	—
FCKH-DN80-SAE-3000-4925	3"	STAINLESS	1450 PSI	—
FCKH-DN80-SAE-6000-3923*	3"	STEEL	—	4640 PSI
FCKH-DN80-SAE-6000-4925*	3"	STAINLESS	—	4640 PSI
FCKH-DN100-SAE-3000-3923	4"	STEEL	365 PSI	—
FCKH-DN100-SAE-3000-4925	4"	STAINLESS	365 PSI	—
FCKH-DN125-SAE-3000-3923	5"	STEEL	365 PSI	—
FCKH-DN125-SAE-3000-4925	5"	STAINLESS	365 PSI	—

\* DIFFERENT TO ISO STANDARD.

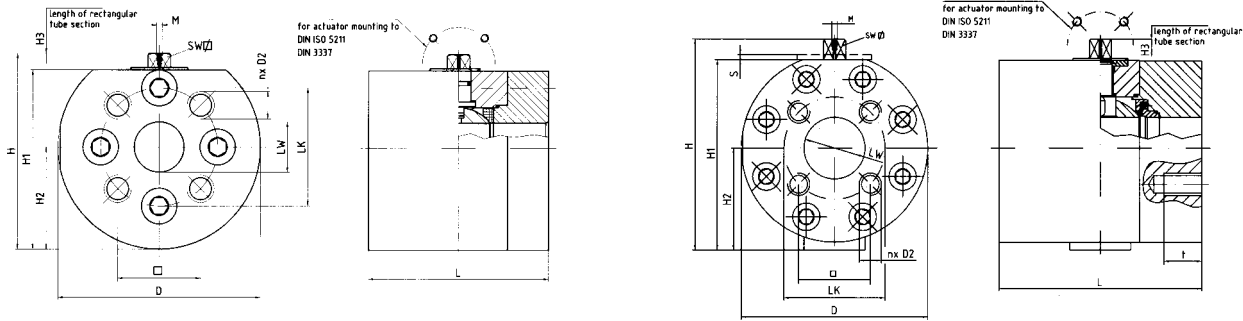
### SAE 3000 DIMENSIONS

SIZE	A	B	C		T	L	LW	D	H	H1	H2	H3	SW	S	BB		F	D1
			METRIC	UNC											DIN 3337	F		
1"	2.06	1.04	M10	3/8-16	.63	3.50	.94	4.69	4.75	4.10	2.34	.59	.55	.16	F05	—	—	—
1 1/4"	2.31	1.19	M10	7/16-14	.63	3.98	1.26	5.47	5.79	5.04	2.74	.73	.67	.20	F05	—	—	—
1 1/2"	2.75	1.41	M12	1/2-13	.71	4.49	1.50	6.26	6.35	5.60	3.13	.73	.67	.20	F05	—	—	—
2"	3.06	1.69	M12	1/2-13	.71	4.96	1.87	7.05	7.04	6.43	3.52	.73	.67	.20	F05 (07)	—	—	—
2 1/2"	3.50	2.00	M12	1/2-13	.71	6.50	2.48	8.60	9.43	8.66	4.53	.73	.75	.24	F07	.02	5.04	—
3"	4.19	2.44	M16	5/8-11	.87	7.48	2.99	9.37	10.51	9.45	5.08	1.02	.87	.24	F10	.02	5.91	—
4"	5.13	3.06	M16	5/8-11	.87	8.98	3.93	10.91	12.91	10.93	5.75	1.22	1.06	.24	F10	.02	6.77	—
5"	6.00	3.63	M16	5/8-11	.87	10.00	4.72	12.52	14.37	12.99	6.65	1.29	1.06	.24	F14	.02	8.19	—

### SAE 6000 DIMENSIONS

SIZE	A	B	C		T	L	LW	D	H	H1	H2	H3	SW	S	BB		F	D1
			METRIC	UNC											DIN 3337	F		
1"	2.25	10.94	M12	7/16-14	.71	3.50	.94	4.69	4.75	4.10	2.34	.59	.55	.16	F05	—	—	—
1 1/4"	2.62	1.24	M14	1/2-13	.79	3.98	1.26	5.47	5.79	5.04	2.74	.73	.67	.20	F05	—	—	—
1 1/2"	3.12	1.44	M16	5/8-11	.87	4.49	1.50	6.26	6.35	5.60	3.13	.73	.67	.20	F05	—	—	—
2"	3.81	1.75	M20	3/4-10	1.02	4.96	1.87	7.05	7.04	6.43	3.52	.73	.67	.20	F05 (07)	—	—	—
2 1/2"	4.87	2.31	M24	—	1.14	7.87	2.48	9.80	10.99	9.93	5.53	1.02	.87	.20	F10	—	—	—
3"	6.00	2.82	M24	—	1.38	2.95	2.95	10.55	12.06	10.88	5.87	1.14	1.06	.20	F10	—	—	—

# FCKH SERIES FLANGED-WAFER STYLE BALL VALVES STEEL / STAINLESS ISO 6164



## VERSION A (2")

## VERSION B (2 1/2" – 4")

PART NUMBER	NOMINAL SIZE	WORKING MATERIAL	PRESSURE
FCKH-DN50-250-ISO 6164-34231	2"	STEEL	3625 PSI
FCKH-DN50-250-ISO 6164-4425	2"	STAINLESS	3625 PSI
FCKH-DN50-400-ISO 6164-34231	2"	STEEL	5800 PSI
FCKH-DN50-400-ISO 6164-4425	2"	STAINLESS	5800 PSI
FCKH-DN65-250-ISO 6164-39231	2 1/2"	STEEL	3625 PSI
FCKH-DN65-250-ISO 6164-4925	2 1/2"	STAINLESS	3625 PSI
FCKH-DN65-320-ISO 6164-39231	2 1/2"	STEEL	4640 PSI
FCKH-DN65-320-ISO 6164-4925	2 1/2"	STAINLESS	4640 PSI
FCKH-DN80-250-ISO 6164-39231	3"	STEEL	3625 PSI
FCKH-DN80-250-ISO 6164-4925	3"	STAINLESS	3625 PSI
FCKH-DN80-320-ISO 6164-39231	3"	STEEL	4640 PSI
FCKH-DN80-320-ISO 6164-4925	3"	STAINLESS	4640 PSI
FCKH-DN100-250-ISO 6164-39231	4"	STEEL	3625 PSI
FCKH-DN100-250-ISO 6164-4925	4"	STAINLESS	3625 PSI
FCKH-DN100-320-ISO 6164-39231	4"	STEEL	4640 PSI
FCKH-DN100-320-ISO 6164-4925	4"	STAINLESS	4640 PSI

## VERSION A DIMENSIONS

SIZE	LW	L	D	H	H1	H2	H3	S	SW	n	D2	t	□	LK	DIN/ISO 5211	M
2"*	1.87	4.25	7.87	8.54	7.56	3.94	.73	.20	.67	4 QTY	M20	1.18	3.28	4.65	F10	M10

\* EQUIVALENT TO FLANGE ISO – DIN 56

## VERSION B DIMENSIONS

SIZE	LW	L	D	H	H1	H2	H3	S	SW	n	D2	t	□	LK	DIN/ISO 5211	M
2 1/2"	2.48	7.87	9.84	10.98	9.92	5.53	1.02	.20	.87	4 QTY	M20	1.18	4.04	5.71	F10	M10
3"	2.95	7.87	10.63	13.46	10.87	5.87	1.14	.20	1.06	4 QTY	M30	1.89	4.87	6.89	F10	M10
4"*	3.74	11.02	11.81	13.98	12.01	6.50	1.28	.20	1.06	8 QTY	M24	1.18	—	7.87	F12	M12

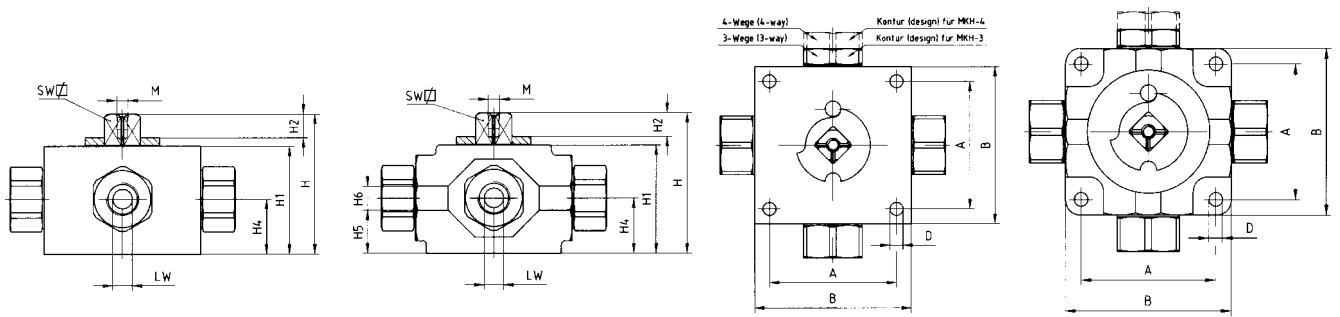
\* DIFFERENT TO ISO STANDARD.  
CONTACT FACTORY FOR DETAILS

## CONSTRUCTION:

### LAST 4/5 DIGITS: DESCRIPTION:

- 34231 CARBON STEEL BLOCK BODY, STEEL BALL AND STEM  
DELTRIN® BALL SEATS, BUNA N "O" RINGS, ZINC YELLOW PLATED
- 39231 CARBON STEEL BODY, TRUNION AND STEM  
DELTRIN® BALL SEATS, BUNA N "O" RINGS, ZINC YELLOW PLATED
- 4925 316-STAINLESS STEEL BODY, BALL/TRUNION AND STEM  
DELTRIN® BALL SEATS  
VITON® "O" RINGS

# 3KH / 4KH SERIES MULTI-WAY BALL VALVES – SIZES 1/4" – 3/4"



PART NUMBER	NOMINAL SIZE	THREAD	MATERIAL	PORTING	WORKING PRESSURE	A	B	INCH DIMENSIONS			
								D	H	H1	H2
3KH-14-NPT-1123-**-	1/4"	1/4" NPT F	STEEL	3-WAY	7250 PSI						
3KH-14-NPT-4425-**-	1/4"	1/4" NPT F	STAINLESS	3-WAY	7250 PSI	2.16	2.75	.25	2.68	2.04	.47
3KH-14-SAE-1123-**-	1/4"	7/16"-20 UNF	STEEL	3-WAY	7250 PSI						
3KH-14-SAE-4425-**-	1/4"	7/16"-20 UNF	STAINLESS	3-WAY	7250 PSI	2.16	2.75	.25	2.68	2.04	.47
4KH-14-NPT-1123-**-	1/4"	1/4" NPT F	STEEL	4-WAY	7250 PSI						
4KH-14-NPT-4425-**-	1/4"	1/4" NPT F	STAINLESS	4-WAY	7250 PSI	2.16	2.75	.25	2.68	2.04	.47
4KH-14-SAE-1123-**-	1/4"	7/16"-20 UNF	STEEL	4-WAY	7250 PSI						
4KH-14-SAE-4425-**-	1/4"	7/16"-20 UNF	STAINLESS	4-WAY	7250 PSI	2.16	2.75	.25	2.68	2.04	.47
3KH-38-NPT-1123-**-	3/8"	3/8" NPT F	STEEL	3-WAY	7250 PSI						
3KH-38-NPT-4425-**-	3/8"	3/8" NPT F	STAINLESS	3-WAY	7250 PSI	2.55	3.15	.25	2.79	2.17	.47
3KH-38-SAE-1123-**-	3/8"	9/16"-18 UNF	STEEL	3-WAY	7250 PSI						
3KH-38-SAE-4425-**-	3/8"	9/16"-18 UNF	STAINLESS	3-WAY	7250 PSI	2.55	3.15	.25	2.79	2.17	.47
4KH-38-NPT-1123-**-	3/8"	3/8" NPT F	STEEL	4-WAY	7250 PSI						
4KH-38-NPT-4425-**-	3/8"	3/8" NPT F	STAINLESS	4-WAY	7250 PSI	2.55	3.15	.25	2.79	2.17	.47
4KH-38-SAE-1123-**-	3/8"	9/16"-18 UNF	STEEL	4-WAY	7250 PSI						
4KH-38-SAE-4425-**-	3/8"	9/16"-18 UNF	STAINLESS	4-WAY	7250 PSI	2.55	3.15	.25	2.79	2.17	.47
3KH-12-NPT-1123-**-	1/2"	1/2" NPT F	STEEL	3-WAY	5800 PSI						
3KH-12-NPT-4425-**-	1/2"	1/2" NPT F	STAINLESS	3-WAY	5800 PSI	3.15	3.90	.34	3.03	2.36	.47
3KH-12-SAE-1123-**-	1/2"	3/4"-16 UNF	STEEL	3-WAY	5800 PSI						
3KH-12-SAE-4425-**-	1/2"	3/4"-16 UNF	STAINLESS	3-WAY	5800 PSI	3.15	3.90	.34	3.03	2.36	.47
4KH-12-NPT-1123-**-	1/2"	1/2" NPT F	STEEL	4-WAY	5800 PSI						
4KH-12-NPT-4425-**-	1/2"	1/2" NPT F	STAINLESS	4-WAY	5800 PSI	3.15	3.90	.34	3.03	2.36	.47
4KH-12-SAE-1123-**-	1/2"	3/4"-16 UNF	STEEL	4-WAY	5800 PSI						
4KH-12-SAE-4425-**-	1/2"	3/4"-16 UNF	STAINLESS	4-WAY	5800 PSI	3.15	3.90	.34	3.03	2.36	.47
3KH-34-NPT-1123-**-	3/4"	3/4" NPT F	STEEL	3-WAY	5800 PSI						
3KH-34-NPT-4425-**-	3/4"	3/4" NPT F	STAINLESS	3-WAY	5800 PSI	4.13	4.41	.34	3.52	2.79	.53
3KH-34-SAE-1123-**-	3/4"	11/16"-12 UNF	STEEL	3-WAY	5800 PSI						
3KH-34-SAE-4425-**-	3/4"	11/16"-12 UNF	STAINLESS	3-WAY	5800 PSI	4.13	4.41	.34	3.52	2.79	.53
4KH-34-NPT-1123-**-	3/4"	3/4" NPT F	STEEL	4-WAY	5800 PSI						
4KH-34-NPT-4425-**-	3/4"	3/4" NPT F	STAINLESS	4-WAY	5800 PSI	4.13	4.41	.34	3.52	2.79	.53
4KH-34-SAE-1123-**-	3/4"	11/16"-12 UNF	STEEL	4-WAY	5800 PSI						
4KH-34-SAE-4425-**-	3/4"	11/16"-12 UNF	STAINLESS	4-WAY	5800 PSI	4.13	4.41	.34	3.52	2.79	.53

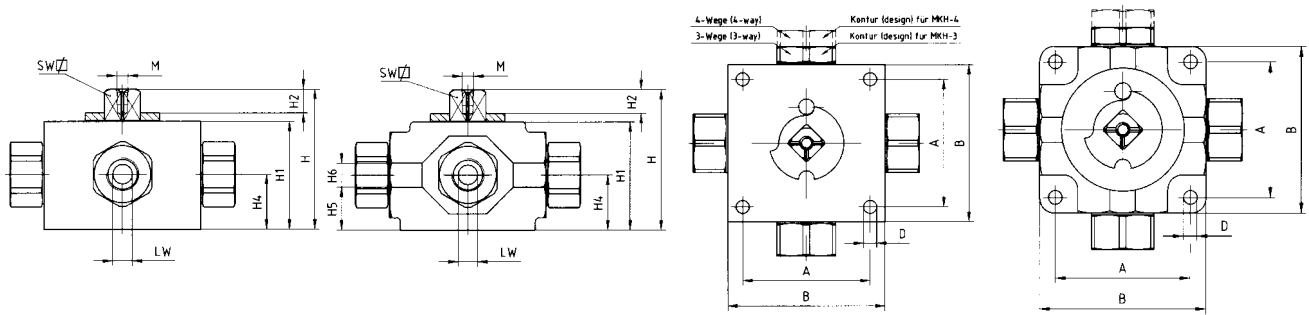
## CONSTRUCTION:

<b>LAST 4 DIGITS:</b>	<b>DESCRIPTION:</b>
-1125	CARBON STEEL BLOCK BODY, STEEL BALL AND STEM VITON® "O" RINGS, DELRIN® BALL SEATS
-4425	316-STAINLESS STEEL BODY, BALL AND STEM VITON® "O" RINGS, DELRIN® BALL SEATS

CONTINUED ON NEXT PAGE

\*\* – ADD PORTING PATTERN CHOICE FROM PAGE 70 TO END OF PART NUMBER.

# 3KH / 4KH SERIES MULTI-WAY BALL VALVES – SIZES 1" – 1 1/2"



PART NUMBER	NOMINAL SIZE	THREAD	MATERIAL	PORTING	WORKING PRESSURE	INCH DIMENSIONS					
						A	B	D	H	H1	H2
3KH-1-NPT-1123-**	1"	1" NPT F	STEEL	3-WAY	5075 PSI	4.13	4.88	.43	3.86	3.11	.53
3KH-1-NPT-4425-**	1"	1" NPT F	STAINLESS	3-WAY	5075 PSI	4.13	4.88	.43	3.86	3.11	.53
3KH-1-SAE-1123-**	1"	15/16"-12 UNF	STEEL	3-WAY	5075 PSI	4.13	4.88	.43	3.86	3.11	.53
3KH-1-SAE-4425-**	1"	15/16"-12 UNF	STAINLESS	3-WAY	5075 PSI	4.13	4.88	.43	3.86	3.11	.53
4KH-1-NPT-1123-**	1"	1" NPT F	STEEL	4-WAY	5075 PSI	4.13	4.88	.43	3.86	3.11	.53
4KH-1-NPT-4425-**	1"	1" NPT F	STAINLESS	4-WAY	5075 PSI	4.13	4.88	.43	3.86	3.11	.53
4KH-1-SAE-1123-**	1"	15/16"-12 UNF	STEEL	4-WAY	5075 PSI	4.13	4.88	.43	3.86	3.11	.53
4KH-1-SAE-4425-**	1"	15/16"-12 UNF	STAINLESS	4-WAY	5075 PSI	4.13	4.88	.43	3.86	3.11	.53
3KH-114-NPT-1123-**	1"	1 1/4" NPT F	STEEL	3-WAY	5075 PSI	4.13	4.88	.43	3.86	3.11	.53
3KH-114-NPT-4425-**	1"	1 1/4" NPT F	STAINLESS	3-WAY	5075 PSI	4.13	4.88	.43	3.86	3.11	.53
3KH-114-SAE-1123-**	1"	15/8"-12 UNF	STEEL	3-WAY	5075 PSI	4.13	4.88	.43	3.86	3.11	.53
3KH-114-SAE-4425-**	1"	15/8"-12 UNF	STAINLESS	3-WAY	5075 PSI	4.13	4.88	.43	3.86	3.11	.53
4KH-114-NPT-1123-**	1"	1 1/4" NPT F	STEEL	4-WAY	5075 PSI	4.13	4.88	.43	3.86	3.11	.53
4KH-114-NPT-4425-**	1"	1 1/4" NPT F	STAINLESS	4-WAY	5075 PSI	4.13	4.88	.43	3.86	3.11	.53
4KH-114-SAE-1123-**	1"	15/8"-12 UNF	STEEL	4-WAY	5075 PSI	4.13	4.88	.43	3.86	3.11	.53
4KH-114-SAE-4425-**	1"	15/8"-12 UNF	STAINLESS	4-WAY	5075 PSI	4.13	4.88	.43	3.86	3.11	.53
3KH-112-NPT-1123-**	1 1/2"	1 1/2" NPT F	STEEL	3-WAY	915 PSI	5.91	7.76	.57	5.08	4.21	.63
3KH-112-NPT-4425-**	1 1/2"	1 1/2" NPT F	STAINLESS	3-WAY	915 PSI	5.91	7.76	.57	5.08	4.21	.63
3KH-112-SAE-1123-**	1 1/2"	17/8"-12 UNF	STEEL	3-WAY	915 PSI	5.91	7.76	.57	5.08	4.21	.63
3KH-112-SAE-4425-**	1 1/2"	17/8"-12 UNF	STAINLESS	3-WAY	915 PSI	5.91	7.76	.57	5.08	4.21	.63
4KH-112-NPT-1123-**	1 1/2"	1 1/2" NPT F	STEEL	4-WAY	915 PSI	5.91	7.76	.57	5.08	4.21	.63
4KH-112-NPT-4425-**	1 1/2"	1 1/2" NPT F	STAINLESS	4-WAY	915 PSI	5.91	7.76	.57	5.08	4.21	.63
4KH-112-SAE-1123-**	1 1/2"	17/8"-12 UNF	STEEL	4-WAY	915 PSI	5.91	7.76	.57	5.08	4.21	.63
4KH-112-SAE-4425-**	1 1/2"	17/8"-12 UNF	STAINLESS	4-WAY	915 PSI	5.91	7.76	.57	5.08	4.21	.63

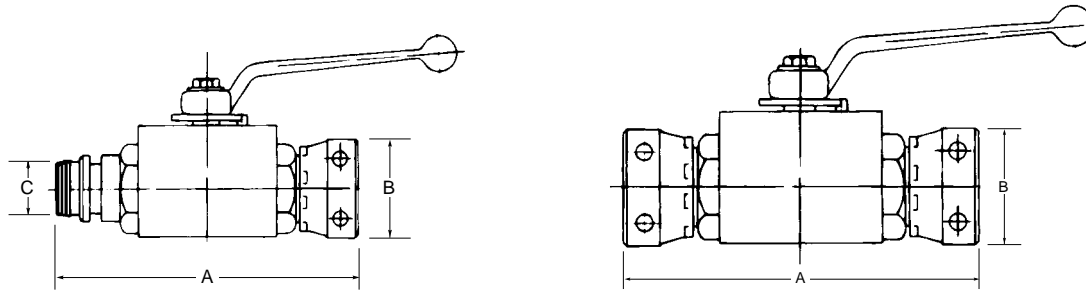
\*\* – ADD PORTING PATTERN CHOICE FROM PAGE 70 TO END OF PART NUMBER

# STANDARD & SPECIAL OPERATING PORTINGS for MULTI-WAY BALL VALVES

ORDER NUMBER	BALL VALVE TYPE	OPERATION	OPERATION SYMBOLS	
01	3/2-Way ball valve with L-bore*	positive 0°-90°		
02	3/3-Way ball valve with L-bore* and additional bore	0°-45°-90°		
03	3/2-Way ball valve with T-bore*	positive 0°-90°		
04	3/3-Way ball valve with T-bore and additional bore	0°-45°-90°		
05	3/2-Way ball valve with T-bore and relief bore	0°-90°		
06	4/2-Way ball valve with X-bore*	0°-90°		
07	4/3-Way ball valve with X-bore and additional bore	0°-45°-90°		
08	4/2-Way ball valve with T-bore*	positive 0°-90°		
09	4/3-Way ball valve with T-bore*	positive 0°-90°-180°		
10	4/3-Way ball valve with L-bore and relief bore	0°-45°-90°		
11	3/2-Way ball valve with L-bore and additional L-bore	0°-45°		
12	3/3-Way ball valve with L-bore* and additional relief bore	0°-45°-90°		
13	2/2-Way ball valve	0°-90°		
14	4/3-Way ball valve with T-bore and cross bore	0°-45°-90°		
15	5/4-Way ball valve with L-bore vertical*	positive 0°-90°		
16	4/2-Way ball valve with cross bore	0°-45°		
17	4/3-Way ball valve with X-bore and additional T-bore	0°-45°-90°		
19	3/2-Way ball valve with T-bore	positive 0°-90°		
20	3/3-Way ball valve with T-bore*	positive 0°-90°-180°		

\* MIDDLE POSITION FIXING DEVICE OR LOCKING DEVICE RECOMMENDED.

# BBKH/BSKH SERIES HIGH PRESSURE BALL VALVES WITH STECKO CONNECTIONS

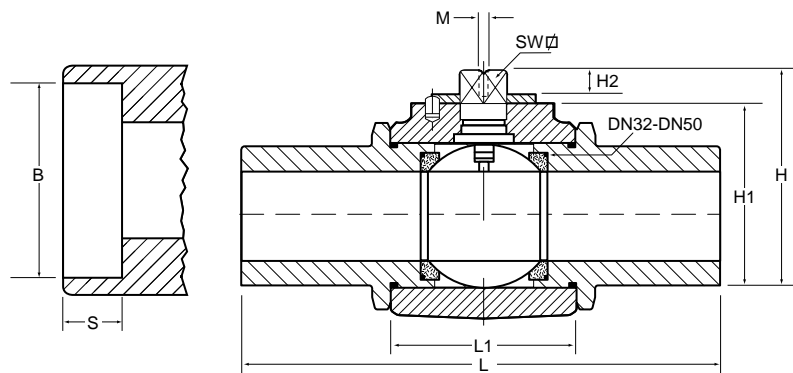


PART NUMBER	NOMINAL SIZE	DN SIZE	STECKO CONNECTION	WORKING PRESSURE	A	B	C
BBKH-06-1123-1-FF	1/4"	6	FxF	7250 PSI	4.17	.98	—
BBKH-06-1123-1-FM			FxM	7250 PSI	4.17	.98	.59
BBKH-10-1123-1-FF	3/8"	10	FxF	7250 PSI	4.45	1.18	—
BBKH-10-1123-1-FM			FxM	7250 PSI	4.45	1.18	.79
BBKH-13-1123-1-FF	1/2"	13	FxF	7250 PSI	4.65	1.26	—
BBKH-13-1123-1-FM			FxM	7250 PSI	4.65	1.26	.94
BBKH-20-1123-1-FF	3/4"	20	FxF	5800 PSI	5.43	1.57	—
BBKH-20-1123-1-FM			FxM	5800 PSI	5.31	1.57	1.14
BBKH-25-1123-1-FF	1"	25	FxF	5075 PSI	5.94	2.17	—
BBKH-25-1123-1-FM			FxM	5075 PSI	5.94	2.17	1.54
BSKH-32-3123-1-FF	1 1/4"	32	FxF	5075 PSI	6.54	2.36	—
BSKH-32-3123-1-FM			FxM	5075 PSI	6.50	2.36	1.81
BSKH-40-3123-1-FF	1 1/2"	40	FxF	5075 PSI	8.78	2.76	—
BSKH-40-3123-1-FM			FxM	5075 PSI	8.54	2.76	2.20
BSKH-50-3123-1-FF	2"	50	FxF	5075 PSI	9.37	3.15	—
BSKH-50-3123-1-FM			FxM	5075 PSI	8.58	3.15	2.52

## CONSTRUCTION:

LAST 5 DIGITS:	DESCRIPTION:
-1123-1	CARBON STEEL BLOCK BODY, STEEL BALL AND STEM BUNA N "O" RINGS DELRIN® BALL SEATS YELLOW ZINC COATING
-3123-1	FORGED STEEL BODY, STEEL BALL AND STEM BUNA N "O" RINGS DELRIN® BALL SEATS YELLOW ZINC COATING

# ASKH SERIES – BALL VALVES WITH SOCKET WELD ENDS – STEEL



PART NUMBER	NOMINAL SIZE	WORKING PRESSURE	L	L1	B	D	H	H1	H2	SW	M	S
ASKH-DN10-PN40-3143-SW		580 PSI				.51						
ASKH-DN10-PN100-3143-SW		1450 PSI				.51						
ASKH-DN10-PN160-3123-SW	3/8"	2320 PSI	10.63	1.65	.71	.51	1.95	1.50	.31	.35	M5	.39
ASKH-DN10-PN250-3123-SW		.47										
ASKH-DN10-PN320-3123-SW		.47										
ASKH-DN10-PN400-3123-SW		.39										
ASKH-DN15-PN40-3143-SW		580 PSI										
ASKH-DN15-PN100-3143-SW	1450 PSI				.67							
ASKH-DN15-PN160-3123-SW	5/8"	2320 PSI	10.63	1.85	.87	.67	2.44	1.81	.47	.47	M6	.39
ASKH-DN15-PN250-3123-SW		.63										
ASKH-DN15-PN320-3123-SW		.59										
ASKH-DN15-PN400-3123-SW		.67										
ASKH-DN20-PN40-3143-SW		580 PSI										
ASKH-DN20-PN100-3143-SW	1450 PSI				.87							
ASKH-DN25-PN40-3143-SW		580 PSI				1.12						
ASKH-DN25-PN100-3143-SW		1450 PSI				1.12						
ASKH-DN25-PN160-3123-SW	1"	2320 PSI	10.63	2.56	1.35	1.06	3.11	2.48	.47	.67	M6	.51
ASKH-DN25-PN250-3123-SW		1.04										
ASKH-DN25-PN320-3123-SW		.94										
ASKH-DN25-PN400-3123-SW		1.14										
ASKH-DN32-PN40-3143-SW		580 PSI										
ASKH-DN32-PN100-3143-SW	1450 PSI				1.28							
ASKH-DN40-PN40-3143-SW		580 PSI				1.69						
ASKH-DN40-PN100-3123-SW		1450 PSI				1.69						
ASKH-DN40-PN160-3123-SW	1 1/2"	2320 PSI	10.63	3.35	1.93	1.61	4.41	3.62	.53	.67	M8	.51
ASKH-DN40-PN250-3123-SW		1.52										
ASKH-DN40-PN320-3123-SW		1.42										
ASKH-DN40-PN400-3123-SW		1.57										
ASKH-DN50-PN40-3143-SW		580 PSI										
ASKH-DN50-PN100-3123-SW	1450 PSI				2.13							
ASKH-DN50-PN160-3123-SW	2"	2320 PSI	11.81	3.94	2.43	2.07	6.34	4.57	.53	.75	M8	.63
ASKH-DN50-PN250-3123-SW		1.77										
ASKH-DN50-PN320-3123-SW		2.34										
ASKH-DN50-PN400-3123-SW		1.95										

**CONSTRUCTION:**

\* PN160-400 AVAILABLE ON 3/4" AND 1 1/4". CONTACT PCI FOR DETAILS.

**LAST 4 DIGITS:**

**DESCRIPTION:**

-3123

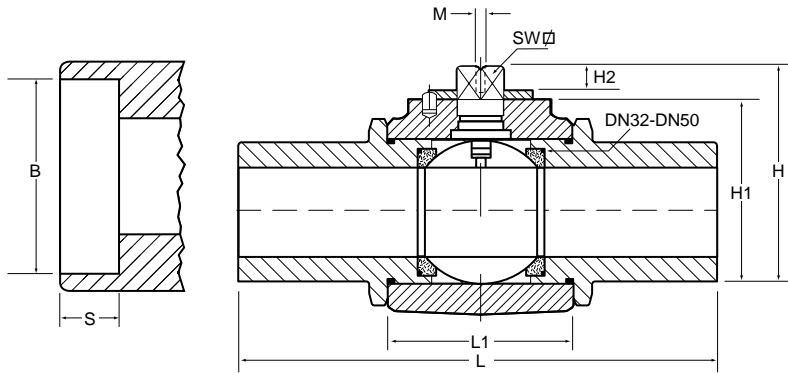
FORGED STEEL BODY, STEEL BALL AND STEM  
BUNA N "O" RINGS, DELRIN® BALL SEATS

-3143

FORGED STEEL BODY, STEEL BALL AND STEM  
BUNA N "O" RINGS, TEFLON BALL SEATS



# ARKH SERIES – BALL VALVES WITH SOCKET WELD ENDS – STAINLESS STEEL



PART NUMBER	NOMINAL SIZE	WORKING PRESSURE	L	L1	B	D	H	H1	H2	SW	M	S
ARKH-DN10-PN40-4425-SW		580 PSI				.51						
ARKH-DN10-PN100-4425-SW		1450 PSI				.51						
ARKH-DN10-PN160-4425-SW	3/8"	2320 PSI	10.63	1.65	.71	.51	1.95	1.50	.31	.35	M5	.39
ARKH-DN10-PN250-4425-SW		.47										
ARKH-DN10-PN320-4425-SW		.47										
ARKH-DN10-PN400-4425-SW		.39										
ARKH-DN15-PN40-4425-SW		580 PSI										
ARKH-DN15-PN100-4425-SW	1450 PSI				.67							
ARKH-DN15-PN160-4425-SW	5/8"	2320 PSI	10.63	1.85	.87	.67	2.44	1.81	.47	.47	M6	.39
ARKH-DN15-PN250-4425-SW		.63										
ARKH-DN15-PN320-4425-SW		.59										
ARKH-DN15-PN400-4425-SW		.67										
ARKH-DN20-PN40-4425-SW		580 PSI										
ARKH-DN20-PN100-4425-SW	1450 PSI				.87							
ARKH-DN25-PN40-4425-SW		580 PSI				1.12						
ARKH-DN25-PN100-4425-SW		1450 PSI				1.12						
ARKH-DN25-PN160-4425-SW	1"	2320 PSI	10.63	2.56	1.35	1.06	3.11	2.48	.47	.67	M6	.51
ARKH-DN25-PN250-4425-SW		1.04										
ARKH-DN25-PN320-4425-SW		.94										
ARKH-DN25-PN400-4425-SW		1.14										
ARKH-DN32-PN40-4425-SW		580 PSI										
ARKH-DN32-PN100-4425-SW	1450 PSI				1.28							
ARKH-DN40-PN40-4425-SW		580 PSI				1.69						
ARKH-DN40-PN100-4425-SW		1450 PSI				1.69						
ARKH-DN40-PN160-4425-SW	1 1/2"	2320 PSI	10.63	3.35	1.93	1.61	4.41	3.62	.53	.67	M8	.51
ARKH-DN40-PN250-4425-SW		1.52										
ARKH-DN40-PN320-4425-SW		1.42										
ARKH-DN40-PN400-4425-SW		1.57										
ARKH-DN50-PN40-4425-SW		580 PSI										
ARKH-DN50-PN100-4425-SW	1450 PSI				2.13							
ARKH-DN50-PN160-4425-SW	2"	2320 PSI	11.81	3.94	2.43	2.07	6.34	4.57	.53	.75	M8	.63
ARKH-DN50-PN250-4425-SW		1.77										
ARKH-DN50-PN320-4425-SW		2.34										
ARKH-DN50-PN400-4425-SW		1.95										

**CONSTRUCTION:**

\* PN160-400 AVAILABLE ON 3/4" AND 1 1/4". CONTACT PCI FOR DETAILS.

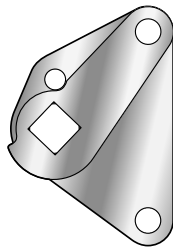
**LAST 4 DIGITS:**

**DESCRIPTION:**

-4425

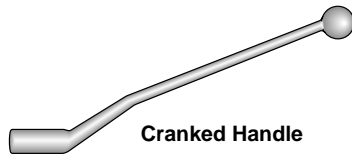
316-STAINLESS STEEL BODY, BALL AND STEM  
 VITON® "O" RINGS  
 DELRIN® BALL SEATS

# HIGH PRESSURE BALL VALVE ACCESSORIES



Handle Lock-Out

STEEL AND STAINLESS



Cranked Handle

STEEL AND STAINLESS



Flat Handle

RED ALUMINUM

## COMPLETE BALL SEAT AND "O" RING REPLACEMENT KIT

### DELTRIN BALL SEATS – BUNA N "O" RINGS

PART NUMBER	REBUILDS
BKH-14-KIT-1123	RKH-BKH-BK3 / 1/4"
BKH-38-KIT-1123	RKH-BKH-BK3 / 3/8"
BKH-12-KIT-1123	RKH-BKH-BK3 / 1/2"
BKH-34-KIT-1123	RKH-BKH-BK3 / 3/4"
BKH-1-KIT-1123	RKH-BKH-BK3 / 1" - 1 1/2"
SKH-114-KIT-3123	RKH-SKH-SK3 / 1 1/4"
SKH-112-KIT-3123	RKH-SKH-SK3 / 1 1/2"
SKH-2-KIT-3123	RKH-SKH-SK3 / 2"

### HANDLE STOP PLATES

PART NUMBER	DESCRIPTION
SP-09	Stop Plate for BKH / BK3 / RKH 1/4"-1/2"
SP-12	Stop Plate for BK3 / 4KH 1/4"-1/2"
SP-14	Stop Plate for BKH / BK3 / RKH 3/4"-1"
SP-17	Stop Plate for SKH / SK3 / RKH 1 1/4"-2"

### ACTUATOR MOUNTING PADS

PART NUMBER	DESCRIPTION
MP-09	4 Hole Pad for RKH 1/4"-1/2"
MP-12	4 Hole Pad for RKH 5/8"
MP-14	4 Hole Pad for RKH 3/4"-1"
MP-17	4 Hole Pad for RKH 1 1/4"-2"

### HANDLES

PART NUMBER	DESCRIPTION
SW-09-S	Steel Cranked Handle 1/4"-1/2"
SW-09-A	Aluminum Flat Handle 1/4"-1/2"
SW-09-SS	Stainless Cranked Handle 1/4"-1/2"
SW-12-S	Steel Cranked Handle 5/8"
SW-12-A	Aluminum Flat Handle 5/8"
SW-12-SS	Stainless Cranked Handle 5/8"
SW-14-S	Steel Cranked Handle 3/4"-1"
SW-14-A	Aluminum Flat Handle 3/4"-1"
SW-14-SS	Stainless Cranked Handle 3/4"-1"
SW-17-S	Steel Cranked Handle 1 1/4"-2"
SW-17-A	Aluminum Flat Handle 1 1/4"-2"
SW-17-SS	Stainless Cranked Handle 1 1/4"-2"

### DELTRIN BALL SEATS – VITON® "O" RINGS

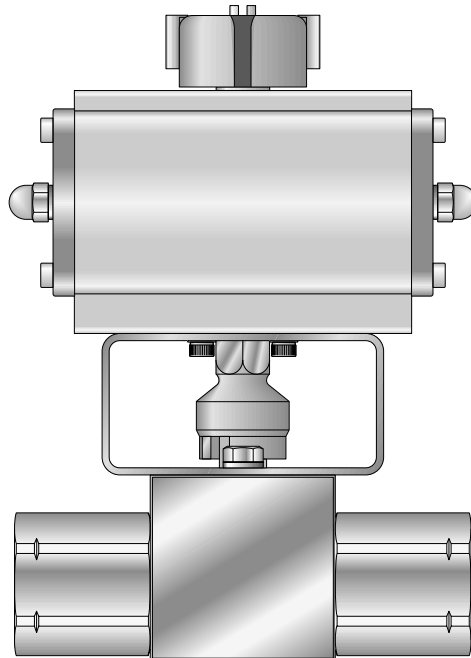
PART NUMBER	REBUILDS
BKH-14-KIT-1125	RKH-BKH-BK3 / 1/4"
BKH-38-KIT-1125	RKH-BKH-BK3 / 3/8"
BKH-12-KIT-1125	RKH-BKH-BK3 / 1/2"
BKH-34-KIT-1125	RKH-BKH-BK3 / 3/4"
BKH-1-KIT-1125	RKH-BKH-BK3 / 1" - 1 1/2"
SKH-114-KIT-3125	RKH-SKH-SK3 / 1 1/4"
SKH-112-KIT-3125	RKH-SKH-SK3 / 1 1/2"
SKH-2-KIT-3125	RKH-SKH-SK3 / 2"

### HANDLE LOCK-OUT KITS

PART NUMBER	DESCRIPTION
LK-1	Steel Lock-Out for BKH / BK3 / RKH 1/4"-1/2"
LK-1-SS	Stainless Lock-Out for BKH / BK3 / RKH 1/4"-1/2"
LK-2	Steel Lock-Out for BKH / BK3 / RKH 3/4"-1 1/2"
LK-2-SS	Stainless Lock-Out for BKH / BK3 / RKH 3/4"-1"
LK-3	Steel Lock-Out for SKH / SK3 / RKH 1 1/4"-2"
LK-3-SS	Stainless Lock-Out for SKH / SK3 / RKH 1 1/4"-2"

# HIGH PRESSURE BALL VALVE – ACTUATORS

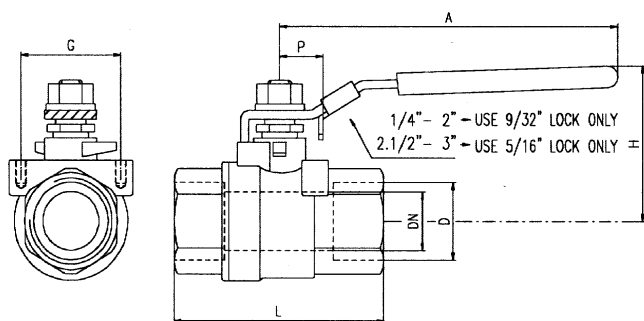
PCI offers a complete line of electric, hydraulic and pneumatic actuators, fully tested and mounted on our high-pressure ball valves. See below:



**Fax or e-mail us (Fax: (440) 349-3653, E-mail: [prescomp@aol.com](mailto:prescomp@aol.com)) with your actuated valve requirements using the following guidelines:**

- Type of actuator (electric, hydraulic or pneumatic?)
- Operation (double acting or spring return?)
- Media?
- Maximum system pressure?
- Temperature?
- Specifications on electric or pneumatic service available?
- Environment (is weatherproofing required?)

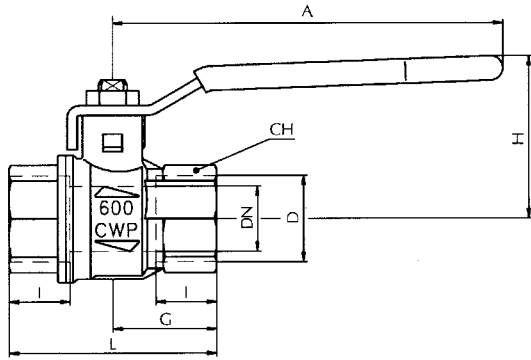
# SLB SERIES 1000 PSI FULL PORT VALVES – STAINLESS STEEL



PART NUMBER	NOMINAL SIZE	WORKING PRESSURE	THREAD	INCH DIMENSIONS						
				D	DN	P	L	G	A	H
SLB-14-NPT-LH	1/4"	1000 PSI	1/4" NPT F	1/4	.43	.50	1.97	1.12	3.78	2.13
SLB-38-NPT-LH	3/8"	1000 PSI	3/8" NPT F	3/8	.49	.50	1.97	1.12	3.78	2.13
SLB-12-NPT-LH	1/2"	1000 PSI	1/2" NPT F	1/2	.63	.50	2.44	1.12	3.78	2.24
SLB-34-NPT-LH	3/4"	1000 PSI	3/4" NPT F	3/4	.79	.88	2.80	1.38	4.96	2.70
SLB-1-NPT-LH	1"	1000 PSI	1" NPT F	1	.98	.88	3.27	1.38	4.96	2.85
SLB-114-NPT-LH	1 1/4"	1000 PSI	1 1/4" NPT F	1 1/4	1.26	.95	3.82	1.50	7.01	3.56
SLB-112-NPT-LH	1 1/2"	1000 PSI	1 1/2" NPT F	1 1/2	1.50	.95	4.04	1.50	7.01	3.74
SLB-2-NPT-LH	2"	1000 PSI	2" NPT F	2	2.01	.95	4.92	1.50	7.01	4.11
SLB-212-NPT-LH	2 1/2"	1000 PSI	2 1/2" NPT F	2 1/2	2.56	1.75	6.02	2.56	9.61	4.72
SLB-3-NPT-LH	3"	1000 PSI	3" NPT F	3	3.15	1.75	6.85	2.56	9.61	5.16

**CONSTRUCTION:** "316" STAINLESS STEEL BODY, BALL AND STEM  
 PURE PTFE SEATS  
 BLOWOUT PROOF STEMS  
 MOUNTING PAD STANDARD  
 LOCKING HANDLE STANDARD  
 150 WSP STEAM RATED  
 -20°F – +350°F TEMP RATING  
 FULL PORT ALL SIZES

# 171N SERIES – 600 W.O.G. FULL PORT VALVES – BRASS

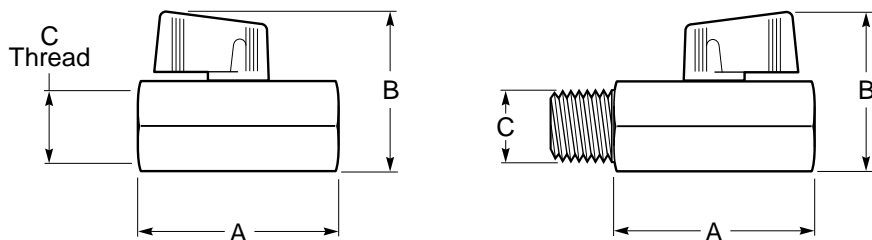


PART NUMBER	NOMINAL SIZE	WORKING PRESSURE	THREAD	D	DN	I	INCH DIMENSIONS			A	H	CH
							L	G				
171N-14-NPT	1/4"	600 PSI	1/4" NPT F	1/4								
171N-14-NPT-LH	1/4"	600 PSI	1/4" NPT F	1/4	.31	.47	1.77	.89	3.23	1.50	.79	
171N-38-NPT	3/8"	600 PSI	3/8" NPT F	3/8								
171N-38-NPT-LH	3/8"	600 PSI	3/8" NPT F	3/8	.39	.47	1.77	.89	3.23	1.50	.79	
171N-12-NPT	1/2"	600 PSI	1/2" NPT F	1/2								
171N-12-NPT-LH	1/2"	600 PSI	1/2" NPT F	1/2	.59	.61	2.32	1.16	3.94	1.69	.98	
171N-34-NPT	3/4"	600 PSI	3/4" NPT F	3/4								
171N-34-NPT-LH	3/4"	600 PSI	3/4" NPT F	3/4	.79	.67	2.52	1.26	4.72	1.97	1.22	
171N-1-NPT	1"	600 PSI	1" NPT F	1								
171N-1-NPT-LH	1"	600 PSI	1" NPT F	1	.98	.83	3.18	1.59	4.72	2.13	1.57	
171N-114-NPT	1 1/4"	600 PSI	1 1/4" NPT F	1 1/4								
171N-114-NPT-LH	1 1/4"	600 PSI	1 1/4" NPT F	1 1/4	1.26	.91	3.66	1.83	6.22	2.87	1.93	
171N-112-NPT	1 1/2"	600 PSI	1 1/2" NPT F	1 1/2								
171N-112-NPT-LH	1 1/2"	600 PSI	1 1/2" NPT F	1 1/2	1.57	.91	4.02	2.00	6.22	3.11	2.13	
171N-2-NPT	2"	600 PSI	2" NPT F	2								
171N-2-NPT-LH	2"	600 PSI	2" NPT F	2	1.97	1.04	4.76	2.38	6.22	3.39	2.70	
171N-212-NPT	2 1/2"	600 PSI	2 1/2" NPT F	2 1/2								
171N-212-NPT-LH	2 1/2"	600 PSI	2 1/2" NPT F	2 1/2	2.56	1.26	6.14	3.07	10.04	5.20	3.35	
171N-3-NPT	3"	600 PSI	3" NPT F	3								
171N-3-NPT-LH	3"	600 PSI	3" NPT F	3	3.15	1.38	6.97	3.48	10.04	5.51	3.90	
171N-4-NPT	4"	600 PSI	4" NPT F	4								
171N-4-NPT-LH	4"	600 PSI	4" NPT F	4	3.94	1.63	8.50	4.25	10.04	6.06	4.92	

**CONSTRUCTION:** HOT FORGED SAND BLASTED BRASS BODY  
 BLOWOUT PROOF NICKEL-PLATED BRASS STEM  
 DOUBLE VITON® "O" RINGS IN STEM  
 GLASS FILLED PTFE SEATS  
 AGA-CGA APPROVED  
 -4°F – +350°F TEMP RATING  
 UL LISTED

**NOTE:** -LH SUFFIX = LOCKING HANDLE INCLUDED. VALVES AVAILABLE WITH ISO 5211 MOUNTING PAD FOR DIRECT MOUNT ACTUATION IN SIZES 1/4"- 2". CONTACT PCI FOR DETAILS.

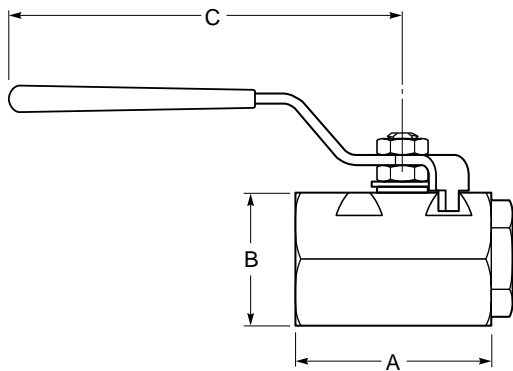
# 383 SERIES LOW PRESSURE WEDGE HANDLE BALL VALVES – CHROME-PLATED BRASS



PART NUMBER	NOMINAL SIZE	THREAD (C)	WORKING PRESSURE	INCH DIMENSIONS	
				A	B
383N-18-NPT	1/8"	1/8" NPT F x F	450 PSI	1.71	1.50
383M-18-NPT	1/8"	1/8" NPT F x M	450 PSI		
383N-14-NPT	1/4"	1/4" NPT F x F	450 PSI	1.71	1.50
383M-14-NPT	1/4"	1/4" NPT F x M	450 PSI		
383N-38-NPT	3/8"	3/8" NPT F x F	450 PSI	1.71	1.50
383M-38-NPT	3/8"	3/8" NPT F x M	450 PSI		
383N-12-NPT	1/2"	1/2" NPT F x F	450 PSI	2.10	1.73
383M-12-NPT	1/2"	1/2" NPT F x M	450 PSI		

**CONSTRUCTION:** ONE-PIECE SAND BLASTED BRASS BODY  
 CHROME PLATED  
 BLOWOUT PROOF STEM  
 VITON® "O" RINGS  
 PTFE SEATS  
 UL LISTED  
 -4°F – +200°F TEMPERATURE RATING

# MPV SERIES MEDIUM PRESSURE BALL VALVES – STEEL

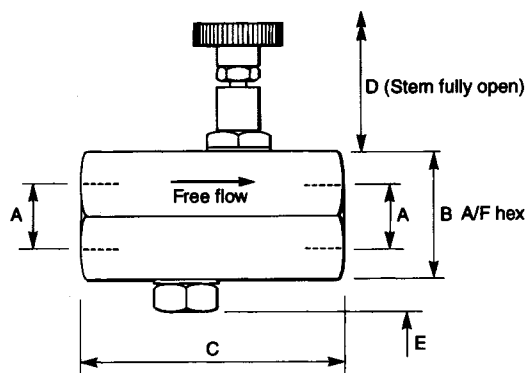


PART NUMBER	NOMINAL SIZE	THREAD	WORKING PRESSURE	A	B	C
MPV-14-NPT MPV-14-SAE	1/4"	1/4" NPT F 7/16"-20	3000 PSI	2.00	1.06	3.78
MPV-38-NPT MPV-38-SAE	3/8"	3/8" NPT F 9/16"-18	3000 PSI	2.00	1.06	3.78
MPV-12-NPT MPV-12-SAE	1/2"	1/2" NPT F 3/4"-16	3000 PSI	2.72	1.62	4.78
MPV-34-NPT MPV-34-SAE	3/4"	3/4" NPT F 1 1/16"-12	3000 PSI	3.49	1.88	4.78
MPV-1-NPT MPV-1-SAE	1"	1" NPT F 1 5/16"-12	3000 PSI	3.93	2.50	6.10

**CONSTRUCTION: STEEL BODY, BALL & STEM**  
**CARBON/GRAPHITE FILLED PTFE SEATS AND SEALS**  
**TEMP RATING -20°F – 425°F**  
**FULL PORT**

**NOTE: LOCKING HANDLE NOT AVAILABLE FOR MPV SERIES. CONSIDER USING BKH SERIES AS AN ALTERNATIVE.**

# FCV SERIES – IN-LINE FLOW CONTROL VALVE



PART NUMBER	NOMINAL SIZE	(A) THREAD	WORKING PRESSURE	B	INCH DIMENSIONS C	D	E
FCV2818-2	1/4"	1/4" NPT F	5075 PSI	.98	2.52	1.57	.39
FCV2817-2	1/4"	1/4" BSPP	5075 PSI	.98	2.52	1.57	.39
FCV2818-3	3/8"	3/8" NPT F	5075 PSI	1.30	2.99	1.57	.47
FCV2817-3	3/8"	3/8" BSPP	5075 PSI	1.30	2.99	1.57	.47
FCV2818-4	1/2"	1/2" NPT F	5075 PSI	1.42	2.99	1.57	.51
FCV2817-4	1/2"	1/2" BSPP	5075 PSI	1.42	2.99	1.57	.51
FCV2818-6	3/4"	3/4" NPT F	5075 PSI	1.67	3.54	2.40	.79
FCV2817-6	3/4"	3/4" BSPP	5075 PSI	1.67	3.54	2.40	.79

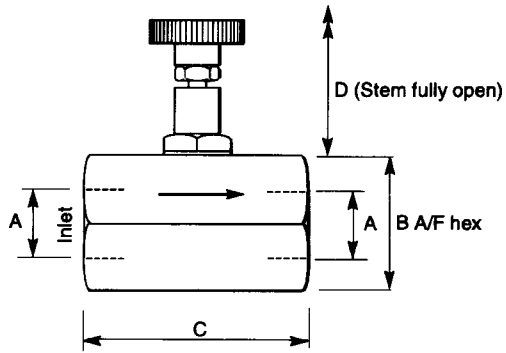
## FACTORS

SIZE	ORIFICE DIAMETER	CV FREE FLOW	CV CONTROLLED FLOW	CRACKING PRESSURE
1/4"	.16	0.70	0.44	2.9
3/8"	.26	1.14	0.90	2.9
1/2"	.28	1.74	1.32	2.9
3/4"	.34	2.90	2.02	2.9

**CONSTRUCTION:** BODY AND ASSEMBLY - STEEL  
STEM - STAINLESS STEEL  
SEALS - VITON®



# NVI SERIES - IN-LINE NEEDLE VALVE



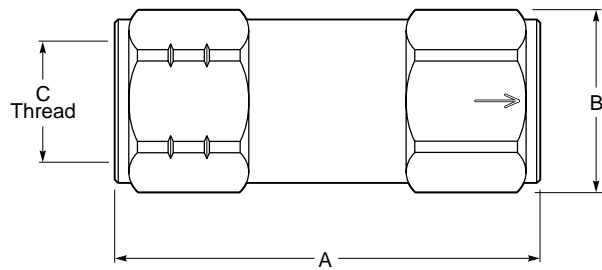
PART NUMBER	NOMINAL SIZE	(A) THREAD	WORKING PRESSURE	INCH DIMENSIONS		
				B	C	D
NVI-2810-2	1/4"	1/4" NPT F	5075 PSI	.98	2.05	1.57
NVI-2811-2	1/4"	1/4" BSPP	5075 PSI	.98	2.05	1.57
NVI-2810-3	3/8"	3/8" NPT F	5075 PSI	1.30	2.36	1.57
NVI-2811-3	3/8"	3/8" BSPP	5075 PSI	1.30	2.36	1.57
NVI-2810-4	1/2"	1/2" NPT F	5075 PSI	1.42	2.36	1.57
NVI-2811-4	1/2"	1/2" BSPP	5075 PSI	1.42	2.36	1.57
NVI-2810-6	3/4"	3/4" NPT F	5075 PSI	1.67	2.83	2.40
NVI-2811-6	3/4"	3/4" BSPP	5075 PSI	1.67	2.83	2.40

## FACTORS

SIZE	ORIFICE DIAMETER	CV
1/4"	.15	0.39
3/8"	.26	0.93
1/2"	.28	1.12
3/4"	.34	2.00

**CONSTRUCTION:** BODY AND ASSEMBLY - STEEL  
STEM - STAINLESS STEEL  
SEALS - VITON®

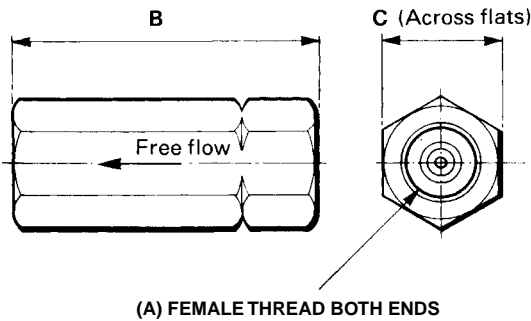
# VU SERIES – SOFT SEAT IN-LINE CHECK VALVES



PART NUMBER	NOMINAL SIZE	WORKING PRESSURE	THREAD (C)	CRACKING PRESSURE	RATED FLOW	A	B (HEX)
VU-14-F-7 VU-14-F-70	1/4"	10,000 PSI	1/4" NPT F	7 PSI 70 PSI	5.8 GPM 5.8 GPM	1.97	.75
VU-38-F-7 VU-38-F-70	3/8"	10,000 PSI	3/8" NPT F	7 PSI 70 PSI	9.47 GPM 9.47 GPM	2.36	.91
VU-12-F-7 VU-12-F-70	1/2"	7350 PSI	1/2" NPT F	7 PSI 70 PSI	17.9 GPM 17.9 GPM	2.76	1.06
VU-34-F-7 VU-34-F-70	3/4"	7350 PSI	3/4" NPT F	7 PSI 70 PSI	29.7 GPM 29.7 GPM	3.39	1.38
VU-1-F-7 VU-1-F-70	1"	7350 PSI	1" NPT F	7 PSI 70 PSI	35.8 GPM 35.8 GPM	3.94	1.62
VU-114-F-7 VU-114-F-70	1 1/4"	4410 PSI	1 1/4" NPT F	7 PSI 70 PSI	59.7 GPM 59.7 GPM	5.12	2.16
VU-112-F-7 VU-112-F-70	1 1/2"	4410 PSI	1 1/2" NPT F	7 PSI 70 PSI	90.8 GPM 90.8 GPM	5.31	2.56
VU-2-F-7 VU-2-F-70	2"	4410 PSI	2" NPT F	7 PSI 70 PSI	144.7 GPM 144.7 GPM	5.91	2.95

**CONSTRUCTION: CARBON STEEL BODY AND VALVE - ZINC PLATED  
STAINLESS STEEL SPRINGS  
BUNA N POPPET "O" RINGS,**

# HSP SERIES – HARD SEAT IN-LINE CHECK VALVES



PART NUMBER	NOMINAL SIZE	WORKING PRESSURE	THREAD (A)	CRACKING PRESSURE	RATED FLOW	B	C (HEX)
HSP-1000-2-5 HSP-1000-2-65	1/4"	6000 PSI	1/4" NPT F	5 65	6 GPM	2.44	.87
HSP-1001-4-5 HSP-1001-4-65	1/4"	6000 PSI	7/16"-20 SAE	5 65	6 GPM	2.44	.87
HSP-1000-3-5 HSP-1000-3-65	3/8"	6000 PSI	3/8"- NPT F	5 65	9.5 GPM	2.87	.95
HSP-1001-6-5 HSP-1001-6-65	3/8"	6000 PSI	9/16"-18 SAE	5 65	9.5 GPM	2.87	.95
HSP-1000-4-5 HSP-1000-4-65	1/2"	5000 PSI	1/2"- NPT F	5 65	18 GPM	3.50	1.14
HSP-1001-8-5 HSP-1001-8-65	1/2"	5000 PSI	3/4"-16 SAE	5 65	18 GPM	3.50	1.14
HSP-1000-6-5 HSP-1000-6-65	3/4"	5000 PSI	3/4"- NPT F	5 65	30 GPM	4.25	1.50
HSP-1001-12-5 HSP-1001-12-65	3/4"	5000 PSI	11/16"-12 SAE	5 65	30 GPM	4.25	1.50
HSP-1000-8-5 HSP-1000-8-65	1"	5000 PSI	1"- NPT F	5 65	35 GPM	5.12	1.69
HSP-1001-16-5 HSP-1001-16-65	1"	5000 PSI	15/16"-12 SAE	5 65	35 GPM	5.12	1.69
HSP-1000-10-5 HSP-1000-10-65	1 1/4"	3000 PSI	1 1/4"- NPT F	5 65	60 GPM	5.56	2.40
HSP-1001-20-5 HSP-1001-20-65	1 1/4"	3000 PSI	1 5/8"-12 SAE	5 65	60 GPM	5.56	2.40
HSP-1000-12-5 HSP-1000-12-65	1 1/2"	3000 PSI	1 1/2"- NPT F	5 65	90 GPM	5.56	2.56
HSP-1001-24-5 HSP-1001-24-65	1 1/2"	3000 PSI	1 7/8"-12 SAE	5 65	90 GPM	5.56	2.56
HSP-1000-16-5 HSP-1000-16-65	2"	3000 PSI	2"- NPT F	5 65	145 GPM	7.91	3.15

**CONSTRUCTION:** CARBON STEEL BODY  
BLACK OXIDE COATING  
METAL SEAT FOR CORROSIVE FLUIDS



## SECTION 5



## PIPE, TUBE AND HOSE CLAMPS

# STANDARD SERIES CLAMPS – ORDERING EXAMPLE

**\*\*A3 – 21.3 – A**

CLAMP SET MATERIAL	
Polypropylene (Green)	A
Polyamide*	MA
Rubber*	RA

\* SPECIAL ORDER

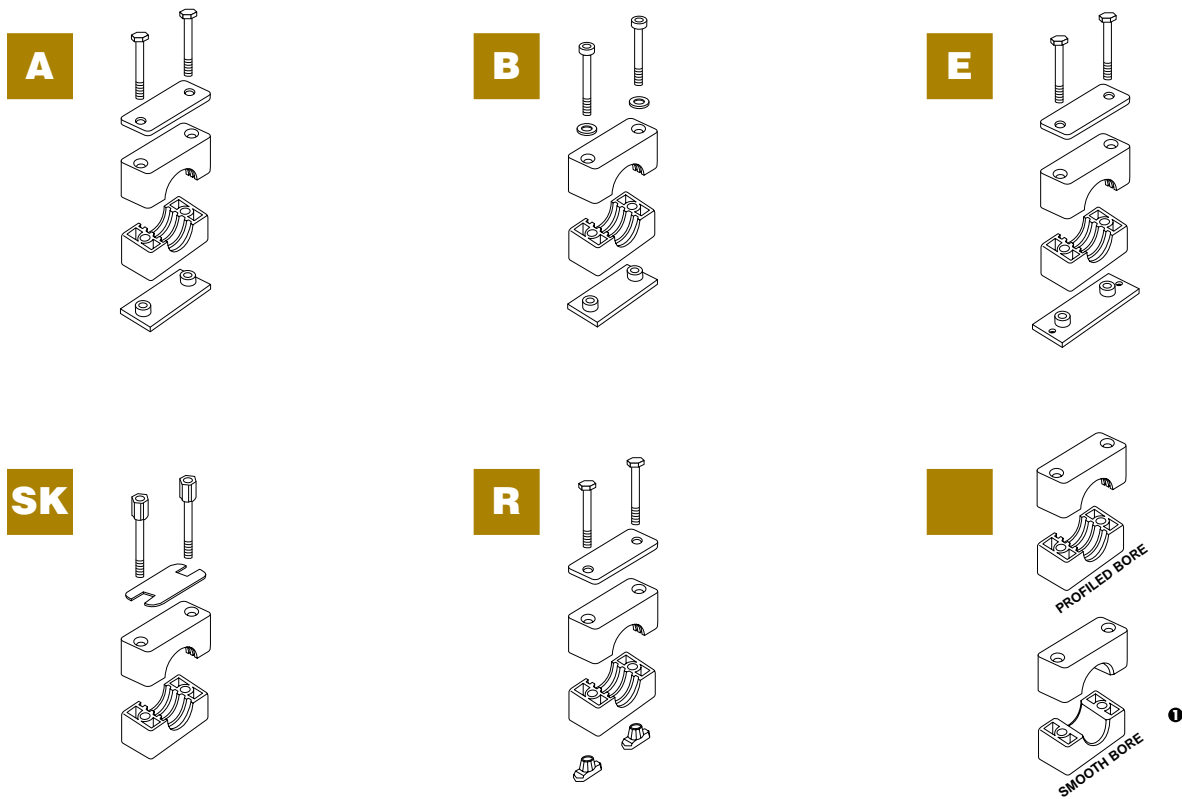
**GROUP SIZE**  
Refer to Chart on Page 87

**CLAMP SET ID**  
Refer to Chart on Page 87

DESCRIPTION	
<b>A</b>	Clamp with Weld Plate & Cover Plate
<b>B</b>	Clamp with Weld Plate & No Cover Plate
<b>SK</b>	Clamp with Stacking Kit
<b>E</b>	Clamp with Elongated Weld Plate & Cover Plate
<b>R</b>	Clamp with Rail Nuts & Cover Plate
	Clamp Set Only

**CLAMP SET BORE**  
Pipe and tube clamp sizes have a profiled bore. For hose and special applications add "H" to the part number for a smooth bore.

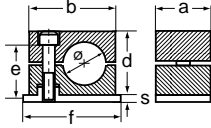
\*\* "S" PREFIX = STAINLESS STEEL HARDWARE



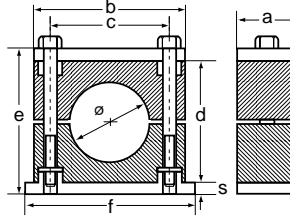
❶ NOT AVAILABLE IN ALL SIZES. CONTACT PCI FOR AVAILABILITY.

# STANDARD SERIES – SIZES AND DIMENSIONS

**Group 0**



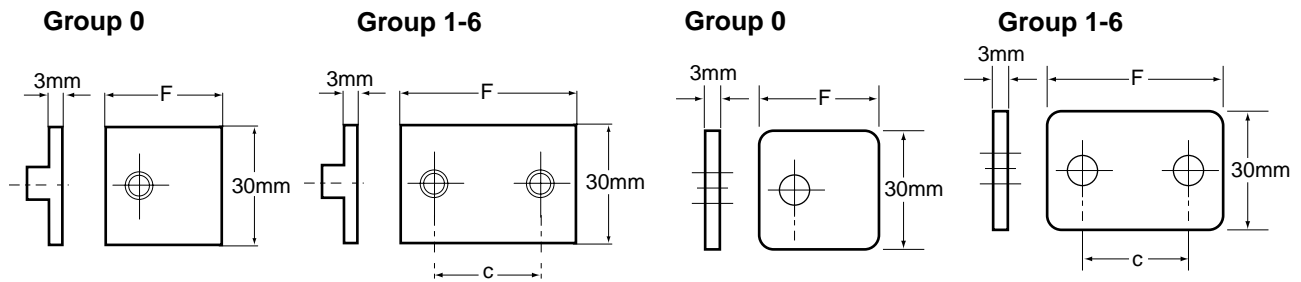
**Group 1-6**



PCI GROUP	DIN GROUP	DIAMETER				DIMENSIONS							
		Ø mm	Inch	PIPE NOMINAL BORE	TUBE O.D.	PART #	A	B	C	D	F	S	H
0	0	6	0.24			A0-06-A							
		8	0.31		5/16"	A0-08-A	30mm	28mm	–	27mm	32mm	3mm	33mm
		10	0.39	1/8"		A0-10-A	1.18"	1.10"	–	1.06"	1.26"	.12"	1.30"
		12	0.47			A0-12-A							
1	1	6	0.24			A1-06-A							
		6.4	0.25		1/4"	A1-6.4-A							
		8	0.31		5/16"	A1-08-A	30mm	34mm	20mm	27mm	42mm	3mm	33mm
		9.5	0.37		3/8"	A1-9.5-A	1.18"	1.34"	.79"	1.06"	1.65"	.12"	1.30"
		10	0.39	1/8"		A1-10-A							
2	2	12	0.47			A1-12-A							
		12.7	0.50		1/2"	A2-12.7-A							
		13.5	0.53	1/4"		A2-13.5-A							
		14	0.55			A2-14-A							
		15	0.59			A2-15-A	30mm	40mm	26mm	33mm	48mm	3mm	39mm
		16	0.63		5/8"	A2-16-A	1.18"	1.57"	1.02"	1.30"	1.89"	.12"	1.54"
		17.2	0.67	3/8"		A2-17.2-A							
3	3	18	0.71			A2-18-A							
		19	0.75			A2-19-A							
		19	0.75		3/4"	A3-19-A							
		20	0.79			A3-20-A							
		21.3	0.84	1/2"		A3-21.3-A	30mm	45mm	33mm	35mm	55mm	3mm	41mm
4	4	22	0.87		7/8"	A3-22-A	1.18"	1.69"	1.30"	1.38"	2.17"	.12"	1.61"
		25	0.98			A3-25-A							
		25.4	1.00		1"	A3-25.4-A							
		26.9	1.06	3/4"		A4-26.9-A							
5	5	28	1.10			A4-28-A	30mm	57mm	40mm	42mm	62mm	3mm	48mm
		30	1.18			A4-30-A	1.18"	2.24"	1.57"	1.65"	2.44"	.12"	1.89"
		32	1.25		1 1/4"	A4-32-A							
		32	1.25		1 1/4"	A5-32-A							
		33.7	1.33	1"		A5-33.7-A							
6	6	35	1.38			A5-35-A							
		38	1.50		1 1/2"	A5-38-A	30mm	68mm	52mm	58mm	74mm	3mm	64mm
		40	1.57			A5-40-A	1.18"	2.68"	2.05"	2.28"	2.91"	.12"	2.52"
		42	1.65			A5-42-A							
		42.4	1.67	1 1/4"		A5-42.4-A							
		45	1.77			A5-45-A							
6	6	44.5	1.75		1 3/4"	A6-44.5-A	30mm	86mm	66mm	66mm	88mm	3mm	77mm
		48.3	1.90	1 1/2"		A6-48.3-A	1.18"	3.39"	2.60"	2.60"	3.46"	.12"	2.83"
		50.8	2.00		2"	A6-50.8-A							

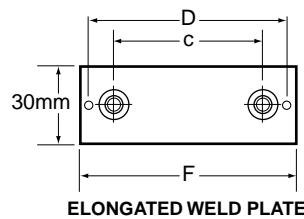
ADD "S" PREFIX FOR STAINLESS STEEL HARDWARE WHEN ORDERING A COMPLETE CLAMP ASSEMBLY.

# STANDARD SERIES – COMPONENTS

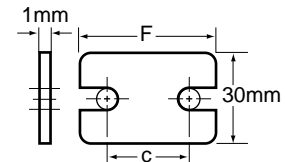


WELD PLATE				COVER PLATE		
GROUP	PART NUMBER	DIMENSIONS		PART NUMBER	DIMENSIONS	
		F	C		F	C
0	WP0	32mm 1.28"	— 0.00"	CP0	28mm 1.10"	— 0.00"
1	WP1	42mm 1.65"	20mm 0.79"	CP1	37mm 1.46"	20mm 0.79"
2	WP2	48mm 1.89"	26mm 1.02"	CP2	43mm 1.69"	26mm 1.02"
3	WP3	55mm 2.17"	33mm 1.30"	CP3	50mm 1.97"	33mm 1.30"
4	WP4	62mm 2.44"	40mm 1.57"	CP4	57mm 2.24"	40mm 1.57"
5	WP5	74mm 2.91"	52mm 2.05"	CP5	69mm 2.72"	52mm 2.05"
6	WP6	88mm 3.46"	66mm 2.60"	CP6	83mm 3.27"	66mm 2.60"

ADD "S" PREFIX FOR STAINLESS STEEL HARDWARE.



ELONGATED WELD PLATE



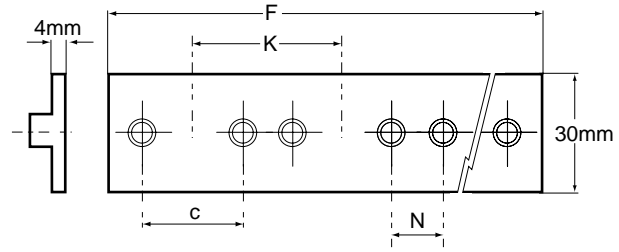
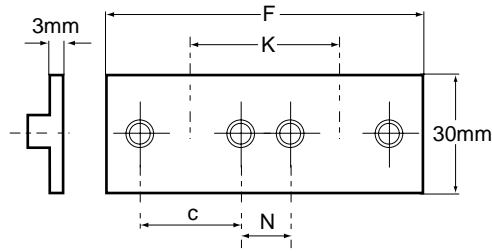
SAFETY PLATE

GROUP	PART NUMBER	DIMENSIONS			PART NUMBER	DIMENSIONS	
		F	c	d		F	c
0	EWP0	46mm 1.81"	— 0.00"	— 0.00"	SP0	28mm 1.10"	— 0.00"
1	EWP1	64mm 2.52"	20mm 0.79"	50mm 2.01"	SP1	34mm 1.34"	20mm 0.79"
2	EWP2	70mm 2.76"	26mm 1.02"	56mm 2.20"	SP2	41mm 1.61"	26mm 1.02"
3	EWP3	78mm 3.07"	33mm 1.30"	64mm 2.52"	SP3	47mm 1.85"	33mm 1.30"
4	EWP4	86mm 3.39"	40mm 1.57"	71mm 2.80"	SP4	57mm 2.24"	40mm 1.57"
5	EWP5	97mm 3.82"	52mm 2.05"	83mm 3.27"	SP5	67mm 2.64"	52mm 2.05"
6	EWP6	112mm 4.41"	66mm 2.60"	100mm 3.94"	SP6	82mm 3.23"	66mm 2.60"

ADD "S" PREFIX FOR STAINLESS STEEL HARDWARE.



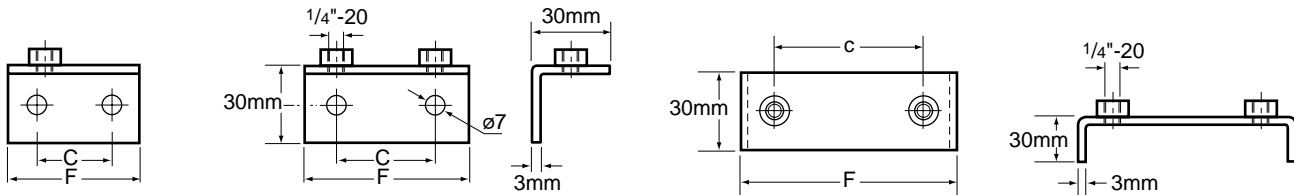
# STANDARD SERIES – COMPONENTS



**DOUBLE WELD PLATE**

**MULTIPLE WELD PLATE**

GROUP	PART NUMBER	DIMENSIONS				PART NUMBER	DIMENSIONS				NUMBER OF CLAMPS PER PLATE
		F	C	N	K		F	C	N	K	
0	DWP0	61mm 2.40"	—	—	30mm 1.18"	MWP0	306mm 12.05"	—	—	30mm 1.18"	10
1	DWP1	81mm 3.19"	20mm 0.79"	20mm 0.79"	40mm 1.57"	MWP1	404mm 15.91"	20mm 0.79"	20mm 0.79"	40mm 1.57"	10
2	DWP2	91mm 3.58"	26mm 1.02"	18mm 0.71"	44mm 1.73"	MWP2	447mm 17.60"	26mm 1.02"	18mm 0.71"	44mm 1.73"	10
3	DWP3	106mm 4.17"	33mm 1.30"	19mm 0.75"	52mm 2.05"	MWP3	525mm 20.67"	33mm 1.30"	19mm 0.75"	52mm 2.05"	10
4	DWP4	121mm 4.76"	40mm 1.57"	20mm 0.79"	60mm 2.36"	MWP4	303mm 11.93"	40mm 1.57"	20mm 0.79"	60mm 2.36"	5
5	DWP5	148mm 5.83"	52mm 2.05"	23mm 0.91"	75mm 2.95"	MWP5	375mm 14.76"	52mm 2.05"	23mm 0.91"	75mm 2.95"	5
6	DWP6	177mm 6.97"	66mm 2.60"	24mm 0.94"	90mm 3.54"	MWP6	447mm 17.60"	66mm 2.60"	24mm 0.94"	90mm 3.54"	5

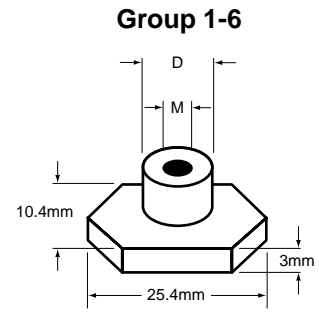
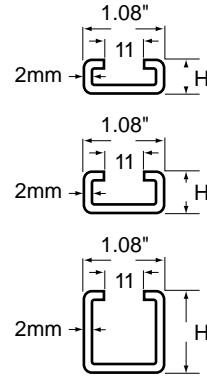
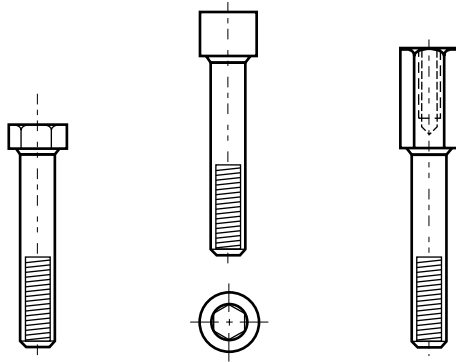


**ANGLED WELD PLATE**

**BRIDGE WELD PLATE**

GROUP	PART NUMBER	DIMENSIONS		PART NUMBER	DIMENSIONS	
		F	C		F	C
0	AWP0	32mm 1.26"	14mm 0.55"	—	—	—
1	AWP1	42mm 1.65"	20mm 0.79"	BWP1	48mm 1.89"	20mm 0.79"
2	AWP2	48mm 1.89"	26mm 1.02"	BWP2	54mm 2.13"	26mm 1.02"
3	AWP3	55mm 2.17"	33mm 1.30"	BWP3	62mm 2.44"	33mm 1.30"
4	AWP4	62mm 2.44"	40mm 1.57"	BWP4	71mm 2.80"	40mm 1.57"
5	AWP5	74mm 2.91"	52mm 2.05"	BWP5	85mm 3.35"	52mm 2.05"
6	AWP6	88mm 3.46"	66mm 2.60"	BWP6	98mm 3.86"	66mm 2.60"

# STANDARD SERIES – COMPONENTS



GROUP	HEX HEAD BOLT	SOCKET HEAD CAP SCREW	STACKING BOLT	MOUNTING RAIL		RAIL NUT	
	PART NUMBER SIZE	PART NUMBER SIZE	PART NUMBER SIZE	PART NUMBER HEIGHT H	PART NUMBER LENGTH L	PART NUMBER M	PART NUMBER D
<b>0</b>	HB0/1 1/4"-20 x 1 1/4"	SC0/1 1/4"-20 x 3/4"	SB0/1 1/4"-20 x 3/4"	MR-11-1 11 0.43	1M 3.28	RNS/T1 1/4"-20	12mm 0.47"
<b>1</b>	HB0/1 1/4"-20 x 1 1/4"	SC0/1 1/4"-20 x 3/4"	SB0/1 1/4"-20 x 3/4"	MR-11-2 11 0.43	2M 6.56		
<b>2</b>	HB2 1/4"-20 x 1 3/8"	SC2 1/4"-20 x 1"	SB2 1/4"-20 x 1"	MR-14-1 14 0.55	1M 3.28		
<b>3</b>	HB3 1/4"-20 x 1 1/2"	SC3 1/4"-20 x 1 1/4"	SB3 1/4"-20 x 1 1/4"	MR-14-2 14 0.55	1M 6.56		
<b>4</b>	HB4 1/4"-20 x 1 3/4"	SC4 1/4"-20 x 1 3/8"	SB4 1/4"-20 x 1 3/8"	MR-30-1 30 1.18	1M 3.28		
<b>5</b>	HB5 1/4"-20 x 2 1/2"	SC5 1/4"-20 x 2"	SB5 1/4"-20 x 2"	MR-30-2 30 1.18	2M 6.56		
<b>6</b>	HB6 1/4"-20 x 2 3/4"	SC6 1/4"-20 x 2 3/8"	SB6 1/4"-20 x 2 3/8"				

ADD "S" PREFIX FOR STAINLESS STEEL BOLTS.

# TWIN SERIES CLAMPS – ORDERING EXAMPLE

**\*\*AT4 – 26.9 – A**

CLAMP SET MATERIAL	
Polypropylene (Green)	AT
Polyamide*	MT
Rubber*	RT

\* SPECIAL ORDER

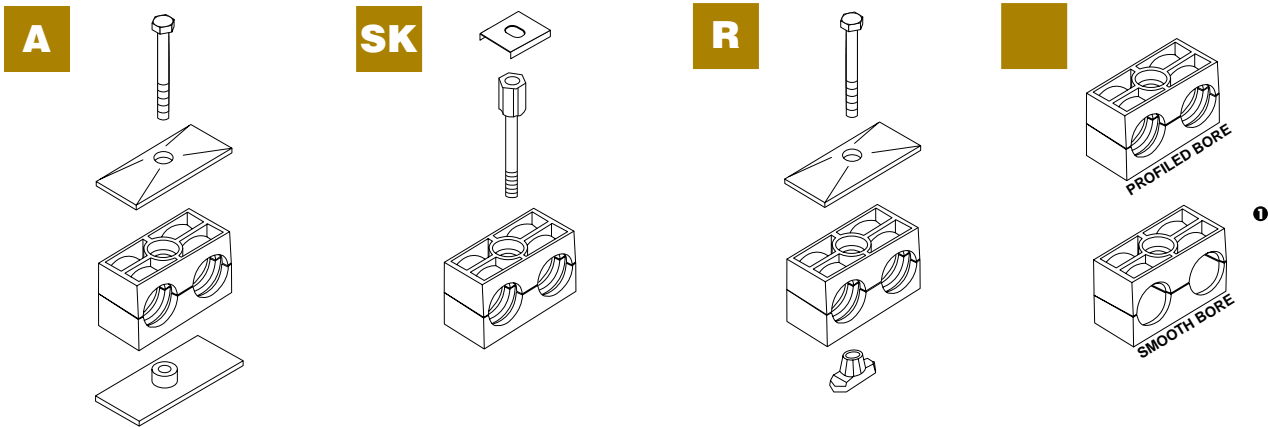
GROUP SIZE
Refer to Chart on Page 92

CLAMP SET ID
Refer to Chart on Page 92

DESCRIPTION	
<b>A</b>	Clamp with Weld Plate & Cover Plate
<b>SK</b>	Clamp with Stacking Kit
<b>R</b>	Clamp with Rail Nuts & Cover Plate
	Clamp Set Only

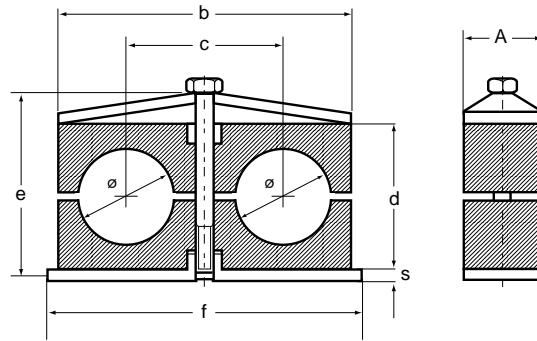
CLAMP SET BORE
Pipe and tube clamp sizes have a profiled bore. For hose and special applications add "H" to the part number for a smooth bore.

\*\*"S" PREFIX = STAINLESS STEEL HARDWARE  
AVAILABLE BY SPECIAL ORDER ONLY.



❶ NOT AVAILABLE IN ALL SIZES. CONTACT PCI FOR AVAILABILITY.

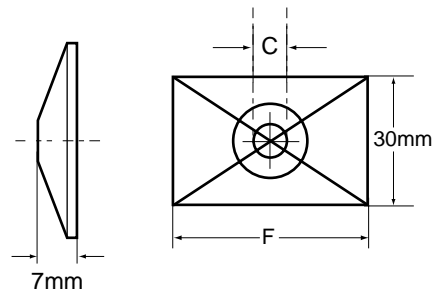
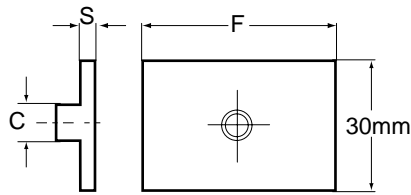
# TWIN SERIES – SIZES AND DIMENSIONS



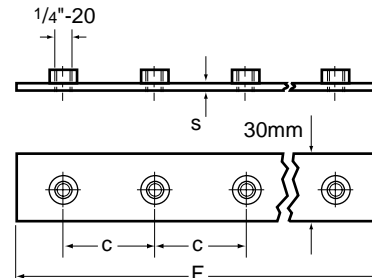
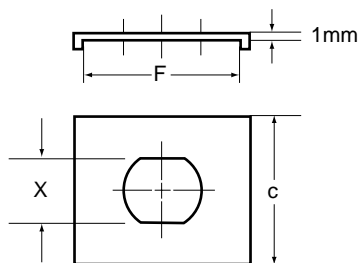
PCI		DIN		DIAMETER			DIMENSIONS								
GROUP	GROUP	Ø mm	Ø Inch	PIPE NOMINAL BORE	TUBE O.D.	PART #	A	B	C	D	F	S	H		
1	1	6	0.24	1/8"	3/8"	AT1-06-A	30mm 1.18"	37mm 1.46"	20mm .79"	25mm .98"	37mm 1.46"	3mm .12"	35mm 1.36"		
		6.4	0.25			AT1-6.4-A									
		8	0.31			AT1-08-A									
		9.5	0.37			AT1-9.5-A									
		10	0.39			AT1-10-A									
		12	0.47	AT1-12-A											
2	2	12.7	0.50	1/4"	5/8"	AT2-12.7-A	30mm 1.18"	53mm 2.09"	29mm 1.14"	26mm 1.02"	55mm 2.17"	5mm .20"	36mm 1.42"		
		13.5	0.53			AT2-13.5-A									
		14	0.55			AT2-14-A									
		15	0.59			AT2-15-A									
		16	0.63			AT2-16-A									
						17.2								0.67	AT2-17.2-A
		18	0.71	AT2-18-A											
3	3	19	0.75	1/2"	7/8"	AT3-19-A	30mm 1.18"	67mm 2.64"	36mm 1.42"	37mm 1.46"	70mm 2.76"	5mm .20"	47mm 1.85"		
		20	0.79			AT3-20-A									
		21.3	0.84			AT3-21.3-A									
		22	0.87			AT3-22-A									
						25								0.98	AT3-25-A
		25.4	1.00	AT3-25.4-A											
4	4	26.9	1.06	3/4"	1"	AT4-26.9-A	30mm 1.18"	82mm 3.23"	45mm 1.77"	42mm 1.65"	85mm 3.35"	5mm .20"	52mm 2.05"		
		28	1.10			AT4-28-A									
		30	1.18			AT4-30-A									
5	5	32	1.25	1"	1 1/4"	AT5-32-A	30mm 1.18"	106mm 4.17"	56mm 2.20"	54mm 2.13"	110mm 4.33"	5mm .20"	64mm 2.52"		
		33.7	1.33			AT5-33.7-A									
		35	1.38			AT5-35-A									
		38	1.50			AT5-38-A									
						40								1.57	AT5-40-A
						42								1.65	AT5-42-A
		42.4	1.67	AT5-42.4-A											

ADD "S" PREFIX FOR STAINLESS STEEL HARDWARE. SPECIAL ORDER ONLY.

# TWIN SERIES – COMPONENTS

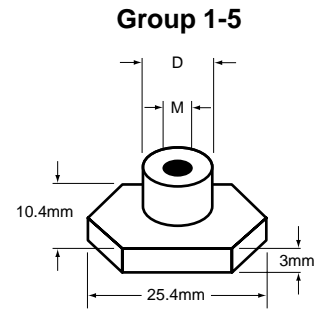
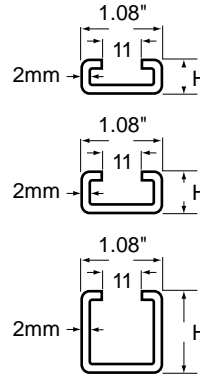
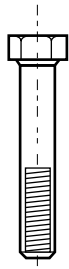


GROUP	PART NUMBER	WELD PLATE			PART NUMBER	COVER PLATE	
		DIMENSIONS F	C	S		DIMENSIONS F	C
1	WPT1	37mm 1.46"	12mm 0.79"	3mm 0.12"	CPT1	35mm 1.38"	7mm 0.28"
2	WPT2	55mm 2.17"	14mm 0.55"	5mm 0.20"	CPT2	52mm 2.05"	9mm 0.35"
3	WPT3	70mm 2.76"	14mm 0.55"	5mm 0.20"	CPT3	66mm 2.60"	9mm 0.35"
4	WPT4	85mm 3.35"	14mm 0.55"	5mm 0.20"	CPT4	81mm 3.19"	9mm 0.35"
5	WPT5	110mm 4.33"	14mm 0.55"	5mm 0.20"	CPT5	105mm 4.13"	9mm 0.35"



GROUP	PART NUMBER	SAFETY PLATE			PART NUMBER	MULTIPLE WELD PLATE			NUMBER OF CLAMPS PER PLATE
		DIMENSIONS F	C	X		DIMENSIONS F	C	S	
1	SPT1	30mm 1.18"	30mm 1.18"	11mm 0.43"	MWPT1	200mm 7.87"	40mm 1.57"	3mm 0.12"	5
2	SPT2	30mm 1.18"	30mm 1.18"	13mm 0.51"	MWPT2	290mm 11.42"	58mm 2.28"	5mm 0.20"	5
3	SPT3	30mm 1.18"	30mm 1.18"	13mm 0.51"	MWPT3	360mm 14.17"	72mm 2.83"	5mm 0.20"	5
4	SPT4	30mm 1.18"	30mm 1.18"	13mm 0.51"	MWPT4	450mm 17.72"	90mm 3.54"	5mm 0.20"	5
5	SPT5	30mm 1.18"	30mm 1.18"	13mm 0.51"	MWPT5	560mm 22.05"	112mm 4.41"	5mm 0.20"	5

# TWIN SERIES – COMPONENTS



GROUP	HEX HEAD BOLT	STACKING BOLT	MOUNTING RAIL		RAIL NUT	
	PART NUMBER SIZE	PART NUMBER SIZE	PART NUMBER HEIGHT H	LENGTH L	PART NUMBER M	D
<b>1</b>	HB2/T1 1/4"-20 x 1 3/8"	SBT/1 1/4"-20 x .79"	MR-11-1 11 0.43	1M 3.28	RNS/T1 1/4"-20	12mm 0.47"
<b>2</b>	HBT/2 5/16"-18 x 1 3/8"	SBT/2 5/16"-18 x .79"	MR-14-1 14 0.55	1M 3.28	RNT2/5 5/16"-18	14mm 0.55"
<b>3</b>	HBT/3 5/16"-18 x 1 3/4"	SBT/3 5/16"-18 x 1.14"	MR-14-2 14 0.55	2M 6.56		
<b>4</b>	HBT/4 5/16"-18 x 2"	SBT/4 5/16"-18 x 1.34"	MR-30-1 30 1.18	1M 3.28		
<b>5</b>	HBT/5 5/16"-18 x 2 1/2"	SBT/5 5/16"-18 x 1.85"	MR-30-2 30	2M		
			1.18	6.56		

# HEAVY DUTY SERIES CLAMPS – ORDERING EXAMPLE

**\*\*AH3 – 33.7 – A**

CLAMP SET MATERIAL	
Polypropylene	A
Aluminum	LH
Polyamide*	MA
Rubber*	RA

\* SPECIAL ORDER

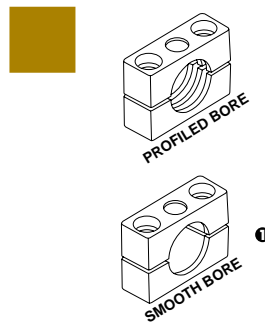
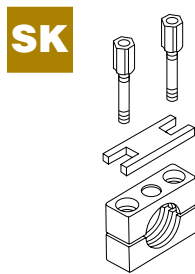
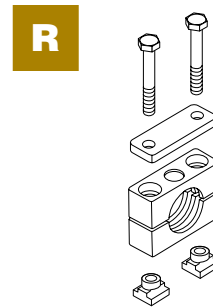
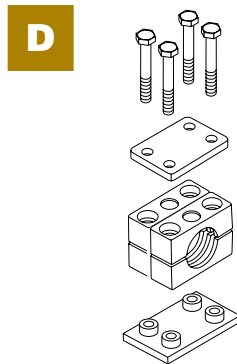
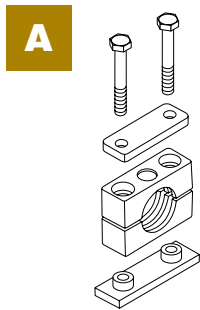
**GROUP SIZE**  
Refer to Chart on Page 96-97

**CLAMP SET ID**  
Refer to Chart on Page 96-97

DESCRIPTION	
<b>A</b>	Clamp with Weld Plate & Cover Plate
<b>SK</b>	Clamp with Stacking Kit
<b>R</b>	Clamp with Rail Nuts & Cover Plate
<b>D</b>	Double Clamp with Weld Plate & Cover Plate
	Clamp Set Only

**CLAMP SET BORE**  
Pipe and tube clamp sizes have a profiled bore. For hose and special applications add “H” to the part number for a smooth bore.

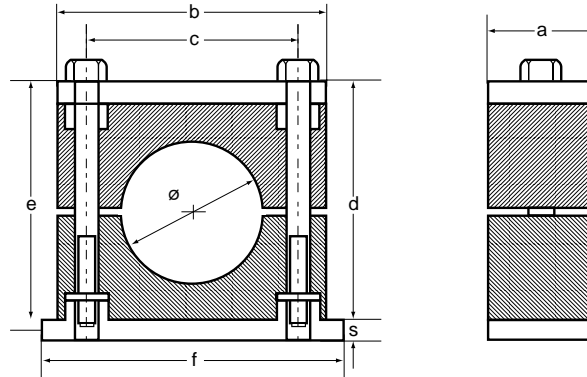
\*\*“S” PREFIX = STAINLESS STEEL HARDWARE. AVAILABLE BY SPECIAL ORDER ONLY.



**i** NOT AVAILABLE IN ALL SIZES. CONTACT PCI FOR AVAILABILITY.

# HEAVY DUTY SERIES – SIZES AND DIMENSIONS

GROUP 1-4

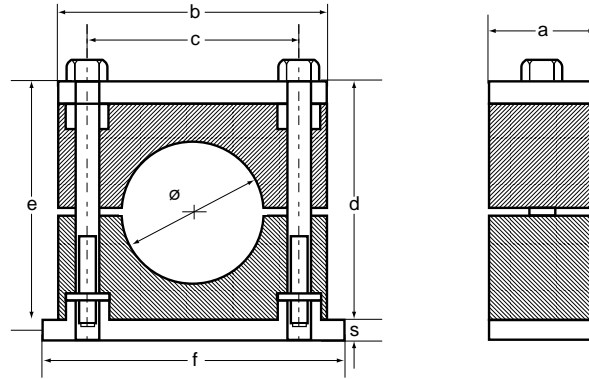


PCI		DIN		DIAMETER			DIMENSIONS						
GROUP	GROUP	Ø mm	Ø Inch	PIPE NOMINAL BORE	TUBE O.D.	PART #	A	B	C	D	F	S	E
1	1	6	0.24			AH1-06-A							
		6.4	0.25		1/4"	AH1-6.4-A							
		8	0.31		5/16"	AH1-08-A							
		9.5	0.37		3/8"	AH1-9.5-A							
		10	0.39	1/8"		AH1-10-A							
		12	0.47			AH1-12-A	30mm	55mm	33mm	32mm	73mm	8mm	48mm
		12.7	0.50		1/2"	AH1-12.7-A	1.18"	2.17"	1.30"	1.26"	2.87"	0.31"	1.89"
		13.5	0.53	1/4"		AH1-13.5-A							
		14	0.55			AH1-14-A							
		15	0.59			AH1-15-A							
16	0.63		5/8"	AH1-16-A									
17.2	0.68	3/8"		AH1-17.2-A									
18	0.71			AH1-18-A									
2	2	19	0.75		3/4"	AH2-19-A							
		20	0.79			AH2-20-A							
		21.3	0.84	1/2"		AH2-21.3-A							
		22	0.87		7/8"	AH2-22-A							
		25	0.98			AH2-25-A	30mm	70mm	45mm	48mm	85mm	8mm	76mm
		25.4	1.00		1"	AH2-25.4-A	1.18"	2.76"	1.77"	1.89"	3.35"	0.31"	2.52"
		26.9	1.06	3/4"		AH2-26.9-A							
		28	1.10			AH2-28-A							
30	1.18			AH2-30-A									
3	3	30	1.18			AH3-30-A							
		32	1.25		1 1/4"	AH3-32-A							
		33.7	1.33	1"		AH3-33.7-A							
		35	1.38			AH3-35-A	30mm	85mm	60mm	60mm	100mm	8mm	76mm
		38	1.50		1 1/2"	AH3-38-A	1.18"	3.35"	2.36"	2.36"	3.94"	0.31"	2.99"
		40	1.57			AH3-40-A							
		42	1.65			AH3-42-A							
42.4	1.67	1 1/4"		AH3-42.4-A									
4	4	38	1.50		1 1/2"	AH4-38-A							
		42	1.65			AH4-42-A							
		42.4	1.67	1 1/4"		AH4-42.4-A							
		44.5	1.75		1 3/4"	AH4-44.5-A							
		48.3	1.90	1 1/2"		AH4-48.3-A							
		50	1.97			AH4-50-A	45mm	120mm	90mm	90mm	140mm	10mm	110mm
		50.8	2.00		2"	AH4-50.8-A	1.77"	4.72"	3.54"	3.54"	5.51"	0.39"	4.33"
		55	2.17			AH4-55-A							
		57	2.24		2 1/4"	AH4-57-A							
		60.3	2.37	2"		AH4-60.3-A							
		63.5	2.50		2 1/2"	AH4-63.5-A							
		65	2.56			AH4-65-A							
70	2.76		2 3/4"	AH4-70-A									



# HEAVY DUTY SERIES – SIZES AND DIMENSIONS

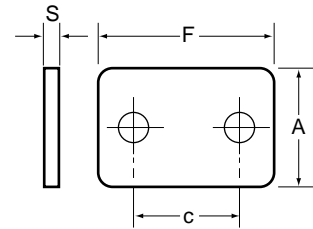
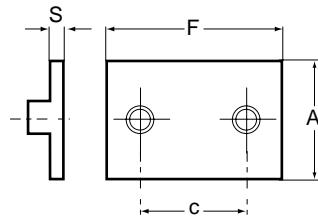
GROUP 5-9



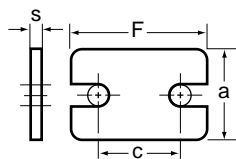
PCI GROUP	DIN GROUP	DIAMETER				DIMENSIONS							
		Ø mm	Ø Inch	PIPE NOMINAL BORE	TUBE O.D.	PART #	A	B	C	D	F	S	E
5	5	65	2.56	2 1/2"	2 3/4"	AH5-65-A	60mm 2.38"	152mm 5.98"	122mm 4.80"	120mm 4.72"	180mm 7.09"	10mm 0.39"	140mm 5.51"
		70	2.76			AH5-70-A							
		73	2.87			AH5-73-A							
		75	2.95			AH5-75-A							
		76.1	3.00			AH5-76.1-A							
		80	3.15			AH5-80-A							
		82.5	3.25			AH5-82.5-A							
		88.9	3.50			AH5-88.9-A							
6	6	88.9	3.50	3 1/2"	3 1/2"	AH6-88.9-A	80mm 3.15"	205mm 8.07"	168mm 6.61"	170mm 6.69"	225mm 8.86"	15mm 0.59"	200mm 7.87"
		100	3.94			AH6-100-A							
		101.6	4.00			AH6-101.6-A							
		108	4.25			AH6-108-A							
		114.3	4.50			AH6-114.3-A							
		127	5.00			AH6-127-A							
		133	5.25			AH6-133-A							
7	7	133	5.25	5"	5 1/2"	AH7-133-A	90mm 3.54"	250mm 9.84"	205mm 8.07"	200mm 7.87"	270mm 10.63"	15mm 0.59"	230mm 9.06"
		139.7	5.50			AH7-139.7-A							
		152.4	6.00			AH7-152.4-A							
		165	6.50			AH7-165-A							
		168.3	6.63			AH7-168.3-A							
8	8	168.3	6.63	6"	7 5/8"	AH8-168.3-A	120mm 4.72"	320mm 12.60"	265mm 10.43"	270mm 10.63"	340mm 13.39"	25mm 0.98"	320mm 12.60"
		177.8	7.00			AH8-177.8-A							
		193.7	7.63			AH8-193.7-A							
		203	8.00			AH8-203-A							
		216	8.50			AH8-216-A							
		219.1	8.63			AH8-219.1-A							
9*	9*	219.1	8.63	8"	8"	AH9-219.1-A	160mm 6.30"	470mm 18.50"	395mm 15.55"	410mm 16.14"	520mm 20.47"	30mm 1.18"	470mm 18.50"
		244.5	9.63			AH9-244.5-A							
		273	10.75			AH9-273-A							
		323.9	12.75			AH9-323.9-A							

\* SPECIAL ORDER

# HEAVY DUTY SERIES – COMPONENTS

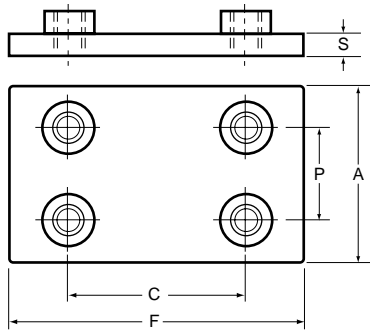


GROUP	PART NUMBER	WELD PLATE				COVER PLATE				
		DIMENSIONS		C	S	PART NUMBER	DIMENSIONS			
		A	F						A	F
1	WPH1	30mm 1.18"	75mm 2.95"	3mm 1.30"	8mm 0.31"	CPH1	30mm 1.18"	55mm 2.17"	33mm 1.30"	8mm 0.31"
2	WPH2	30mm 1.18"	87mm 3.43"	45mm 1.77"	8mm 0.31"	CPH2	30mm 1.18"	70mm 2.76"	45mm 1.77"	8mm 0.31"
3	WPH3	30mm 1.18"	102mm 4.02"	60mm 2.36"	8mm 0.31"	CPH3	30mm 1.18"	85mm 3.35"	60mm 2.36"	8mm 0.31"
4	WPH4	45mm 1.77"	140mm 5.51"	90mm 3.54"	10mm 0.39"	CPH4	45mm 1.77"	120mm 4.72"	90mm 3.54"	10mm 0.39"
5	WPH5	60mm 2.36"	180mm 7.09"	122mm 4.80"	10mm 0.39"	CPH5	60mm 2.36"	152mm 5.98"	122mm 4.80"	10mm 0.39"
6	WPH6	80mm 3.15"	225mm 8.86"	168mm 6.61"	15mm 0.59"	CPH6	80mm 3.15"	205mm 8.07"	168mm 6.61"	15mm 0.59"
7	WPH7	90mm 3.54"	270mm 10.63"	205mm 8.07"	15mm 0.59"	CPH7	90mm 3.54"	250mm 9.84"	205mm 8.07"	15mm 0.59"
8	WPH8	120mm 4.72"	340mm 13.39"	265mm 10.43"	25mm 0.98"	CPH8	120mm 4.72"	320mm 12.60"	265mm 10.43"	25mm 0.98"
9	WPH9	160mm 6.30"	520mm 20.47"	395mm 15.55"	30mm 1.18"	CPH9	160mm 6.30"	470mm 18.50"	395mm 15.55"	30mm 1.18"

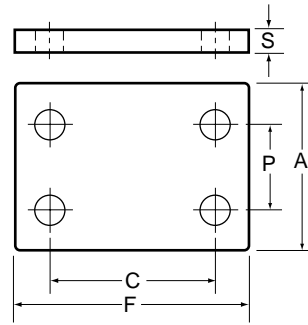


GROUP	PART NUMBER	SAFETY PLATE			
		DIMENSIONS			
		A	F	C	S
1	SPH1	30mm 1.18"	55mm 2.17"	33mm 1.30"	8mm 0.31"
2	SPH2	30mm 1.18"	70mm 2.76"	45mm 1.77"	8mm 0.31"
3	SPH3	30mm 1.18"	85mm 3.35"	60mm 2.36"	8mm 0.31"
4	SPH4	45mm 1.77"	120mm 4.72"	90mm 3.54"	10mm 0.39"
5	SPH5	60mm 2.36"	152mm 5.98"	122mm 4.80"	10mm 0.39"

# HEAVY DUTY SERIES – COMPONENTS



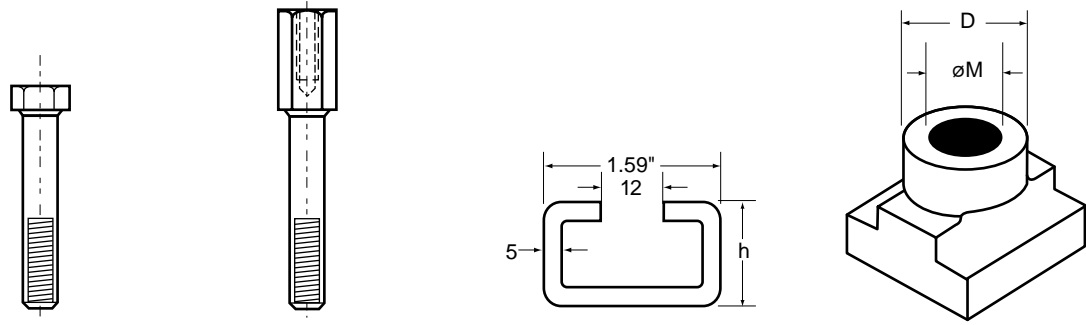
**DOUBLE WELD PLATE**



**DOUBLE COVER PLATE**

GROUP	PART NUMBER	DIMENSIONS					PART NUMBER	DIMENSIONS				
		A	F	S	C	P		A	F	C	S	P
<b>1</b>	WPHD1	60mm 2.36"	74mm 2.91"	8mm 0.31"	33mm 1.30"	31mm 1.22"	CPHD1	60mm 2.36"	56mm 2.20"	8mm 0.31"	33mm 1.30"	31mm 1.22"
<b>2</b>	WPHD2	60mm 2.36"	85mm 3.39"	8mm 0.31"	45mm 1.77"	31mm 1.22"	CPHD2	60mm 2.36"	70mm 2.76"	8mm 0.31"	45mm 1.77"	31mm 1.22"
<b>3</b>	WPHD3	60mm 2.36"	100mm 3.94"	8mm 0.31"	60mm 2.36"	31mm 1.22"	CPHD3	60mm 2.36"	85mm 3.35"	8mm 0.31"	60mm 2.36"	31mm 1.22"
<b>4</b>	WPHD4	90mm 3.54"	140mm 5.51"	10mm 0.39"	90mm 3.54"	46mm 1.81"	CPHD4	90mm 3.54"	116mm 4.57"	10mm 0.39"	90mm 3.54"	46mm 1.81"
<b>5</b>	WPHD5	120mm 4.72"	160mm 7.09"	10mm 0.39"	122mm 4.80"	61mm 2.40"	CPHD5	120mm 4.72"	153mm 6.02"	10mm 0.39"	122mm 4.80"	61mm 2.40"

# HEAVY DUTY SERIES – COMPONENTS



GROUP	HEX HEAD BOLT	STACKING BOLT	MOUNTING RAIL		RAIL NUT	
	PART NUMBER SIZE	PART NUMBER SIZE	HEIGHT H	PART NUMBER LENGTH L	PART NUMBER M	PART NUMBER D
<b>1</b>	HBH1 3/8"-16 x 1 3/4"	SBH1 3/8"-16 x 1.02"	22 0.87	MRH-1 1M 3.28'	RNH1/3 3/8"-16	18 0.71
<b>2</b>	HBH2 3/8"-16 x 2 1/4"	SBH2 3/8"-16 x 1.61"	22 0.87	MRH-2 2M 6.56'	RNH1/3 3/8"-16	18 0.71
<b>3</b>	HBH3 3/8"-16 x 2 3/4"	SBH3 3/8"-16 x 2.05"			RNH1/3 3/8"-16	18 0.71
<b>4</b>	HBH4 7/16"-14 x 4"	SBH4 7/16"-14 x 3.27"			RNH4 7/16"-14	20 0.79
<b>5</b>	HBH5 5/8"-11 x 5 1/4"	SBH5 5/8"-11 x 4.33"				
<b>6</b>	HBH6 3/4"-10 x 7 1/2"					
<b>7</b>	HBH7 7/8"-9 x 8 1/2"					
<b>8</b>	HBH8 1 1/8"-7 x 12"					
<b>9</b>	HBH9 1 1/8"-7 x 17 1/2"					





**PRESSURE  
COMPONENTS  
INC.**

5101 Naiman Parkway • Solon, Ohio 44139 • Phone: (440) 349-4020 • Fax: (440) 349-3653  
Web Address: [www.pressurecomponents.com](http://www.pressurecomponents.com) • e-mail: [prescomp@aol.com](mailto:prescomp@aol.com)  
California Warehouse: 1150 Valencia Ave. • Tustin, California 92680