

JohnDow **Industries**

Committed to Quality

**For Complete Details, Call Us
Toll-Free at 1.800.433.0708**

151 Snyder Ave.
Barberton, OH 44203
Phone Toll-Free: 1.800.433.0708
Fax: 330.753.6419
e-mail: customerservice@johndow.com
web site: www.johndow.com

Distributed By:

Fluid Handling & General Shop Equipment

JohnDow 
Industries

Committed to Quality

Oil & Fluid HandlingPages 3-9

- Portable Oil Drains
- Self-Evacuating Oil Drains
- Low-Profile Oil & Fluid Drains
- Fluid Evacuators
- Fluid Dispensers
- Pneumatic Oil Systems

Lubrication EquipmentPages 10-11

- Oil Control & Delivery Guns
- Drum Pumps
- Pneumatic Grease Systems & Accessories
- Grease Control Guns

Fuel Handling & StoragePages 12-13

- “Fuel Chief” Poly Gas Caddies
- Steel Gas Caddy
- Gas Caddy Accessories

Oil Filter Crushers & Accessories . . .Page 14

- Automotive Oil Filter Crusher
- Heavy-Duty Oil Filter Crusher
- Filter Crusher Stands & Accessories

Used Oil Storage SystemsPage 15

General Shop EquipmentPages 16-17

- Professional Series Hose Reels
- T.O.M.C.A.T. Camber Adjustment Tool
- Portable Exhaust Extraction System

Parts & AccessoriesPage 18

IndexPage 19



About Us

JohnDow Industries, Inc. has been providing the automotive aftermarket with quality products and service for over 26 years. Headquartered in Barberton, OH, JDI offers a cost-effective lineup of professional equipment and supplies to serve America’s automotive service bay operations. Our broad offering includes everything from used oil and fluid handling equipment, grease and oil pump systems, lifting equipment, auto interior protection products to the best vehicle exhaust extraction products in the market.

Our fundamental objective is to supply our customers with professional, quality products that provide solutions to their automotive service needs. We pride ourselves in our ability to service our customers’ needs quickly and efficiently.

JohnDow 
Industries
Committed to Quality

Oil & Fluid Handling

5-Gallon Heavy-Duty Portable Oil Drain

No. JDI-5DC

- 5-gallon galvanized steel container.
- Large 14" heavy-duty polyethylene funnel.
- Tube adjusts from 40" to 67".
- 3-3/4" capped drain for easy emptying.
- High-gloss black enamel finish.
- Weight: 14 lbs.

No. JDI-5DCK

- Same as JDI-5DC, except unit includes heavy-duty lock-on caster base.
- Weight: 20 lbs.



Caster Base

for JDI-5DC

No. JDI-5C

- Lock-on caster base keeps drain locked in place.
- Includes four 2" casters and mounting hardware.
- Weight: 4 lbs.



8-Gallon Poly Portable Oil Drain

No. JDI-8DCP

- 8-gallon red translucent poly tank allows for easy viewing of oil level.
- 18" diameter funnel with strainer.
- 2-1/2" heavy-duty, swivel casters.
- Spout for evacuation.
- The JDI-8DCP adjusts from 48" to 67".
- Weight: 12 lbs.



"Big Mouth" Transmission Drain Pan

No. JD-2436

- For long pan transmissions.
- High-impact polyethylene unit measures 37"l x 33"w x 7"h.
- Adapts to any drain with 6" or larger diameter funnel.
- Weight: 7 lbs.

18-Gallon Poly Portable Oil Drain

No. JDI-18DCP

- 18-gallon red translucent poly tank allows for easy viewing of oil level.
- 18" diameter funnel with strainer.
- 2-1/2" heavy-duty, swivel casters.
- Evacuation spout and drain valve.
- The JDI-18DCP adjusts from 48" to 71".
- Weight: 15 lbs.



Replacement Funnel available for JDI-8DCP and JDI-18DCP

No. 8DCP-FUN

Oil & Fluid Handling

27-Gallon Portable Poly Oil Drains

The new generation of oil drains.

These portable oil caddies are made of high-impact polyethylene and are designed for high volume automotive service facility. The poly construction makes these drains virtually indestructible while preventing accidental damage to a vehicle's finish.

Two models available – traditional gravity drain or self-evacuating model – both have the following features:

- 27-gallon poly tank.
- 16" deep drawn, offset steel funnel with expanded metal screen.
- Positive height adjustment from 45" to 70".
- Sight gauge shows fluid level.
- Handles on all four sides for easy maneuverability.
- Heavy-duty 4" swivel casters provide stability and mobility.
- Both models feature molded pockets that accept "cap-style" filter wrenches and a molded-in tool tray for convenient tool storage.



27-Gallon Portable Poly Oil Drain

No. JDI-27GFD

- Gravity drain or pump evacuation system.
- Optional male coupler No. HA-15242-00 for pump evacuation.



Molded pockets for "cap-style" filter wrenches and molded-in tool tray for convenient tool storage.



27-Gallon Deluxe Poly Oil Drain

No. JDI-27DC

- Self-evacuating with shop air.
- 6' discharge hose with "non-drip" spout.
- Fixed air regulator and pressure relief valve for added safety.
- 360° swivel funnel.

5-Piece "Cap Style" Filter Wrench Set

No. JDIF-5KITC

Covers 95% of all oil filter applications.

- 65/67 mm.
- 76/80/96 mm.
- 74/75 mm.
- 93 mm.
- 76 mm.



Oil & Fluid Handling



16-Gallon Portable Oil Drain

No. JDI-16DC-E

- 16-gallon H.D. steel tank.
- 16" deep-drawn, offset steel funnel with expanded metal screen.
- Positive height adjustment from 50" to 70".
- Built-in sight glass shows fluid level.
- Gravity drain valve included.
- Two 4" swivel casters and two 6" fixed wheels.
- Optional male coupler No. HA-15242-00 needed to adapt for use with pump evacuation system.
- Weight: 63 lbs.



Crew Chief™ 22-Gallon Portable Oil Drain

No. JDI-22DCX

- 22-gallon poly tank.
- Virtually indestructible high-impact polyethylene drain is designed for the high-volume automotive service facility.
- 16" deep-drawn, offset steel funnel with expanded metal screen.
- Height adjusts from 40" to 69".
- 3" swivel casters and 10" fixed wheels.
- Pop-up fluid level indicator.
- Padded push handlebars.
- Includes gravity drain valve.
- Optional conversion kit No. 61431-2 adapts drain for use with pump evacuation system. See page 18 for details.
- Built-in filter drain.
- Weight: 58 lbs.



Built-in filter drain easily holds 4 to 5 standard oil filters, eliminating the need to transfer filters to a separate container. Molded tool pocket keeps wrenches, pliers and other tools readily accessible.



3" port opening allows easy access from the top of the drain for oil evacuation.

Oil & Fluid Handling

All units evacuate fluid using regular shop air.



Separate shut-off valve prevents spills.

20-Gallon Self-Evacuating Oil Drain

No. JDI-20DC-E

- 20-gallon capacity steel tank.
- Compact size takes less space and makes storage easier.
- 16" deep-drawn, offset steel funnel with expanded metal screen.
- Positive height adjustment from 50" to 70".
- Two 4" swivel casters and two 6" fixed wheels.
- 6' discharge hose features a "non-drip" spout and separate shut-off valve to prevent spills.
- Built-in sight glass shows fluid level in the tank.
- Weight: 62 lbs.

20-Gallon Self-Evacuating Antifreeze Drain

No. JDI-20DC-EA

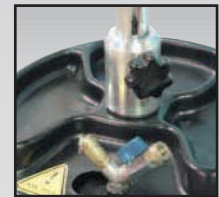
- Drain has the same features as the JDI-20DC-E.
- Green and white decal easily identifies this drain for collection of antifreeze only.
- Weight: 62 lbs.



25-Gallon Heavy-Duty Self-Evacuating Oil Drain

No. JDI-25HDC

- 25-gallon capacity steel tank.
- 16" deep-drawn, offset steel funnel with expanded metal screen.
- 360° swivel base on funnel makes positioning easy.
- Height adjustment from 50" to 70".
- Molded tray for convenient tool storage.
- Heavy-duty 4" swivel casters provide stability and mobility.
- 6' quick-disconnect discharge hose can be permanently attached to a storage tank.
- Weight: 85 lbs.



Poly-molded tool tray is mounted on top of the tank for easy access to tools and fittings.



6' quick-disconnect discharge hose for permanent attachment to a storage tank allowing drain to move around freely in the shop.

Oil & Fluid Handling



17-Gallon Poly Low-Profile Oil Drain

No. JDI-17PLP

- 17-gallon capacity.
- Made from high-impact polyethylene.
- Size: 49"l x 29 1/2"w x 7 3/4"h
- T-handle folds easily for storage and has cleats to hold discharge hose and pump cord.
- Lightweight and resists dents.
- Perfect for heavy-duty trucks or low-profile specifications.
- 4" heavy-duty casters for easy maneuverability.
- Ideal for use with oils or antifreeze.
- Recessed drain valve for optimal protection.
- Weight: 40 lbs.

Pump Kit for JDI-17PLP

No. JDI-17PK

- 110v electric pump transfers fluid at 5 gpm.
- Comes with everything to complete the job.
- 8' evacuation hose.
- Weight: 6 lbs.

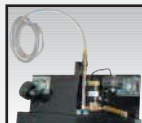


Reinforced floor posts add strength.

25-Gallon Low-Profile Portable Oil Drain with Electric Evacuation Pump

No. JDI-LP5

- 25-gallon measured capacity (22-gallon functional capacity).
- Low-profile drain (8") for large-volume vehicles.
- Size 48"l x 25"w x 8"h.
- 10' evacuation hose.
- Baffled reservoir prevents splashing when moved.
- 38" T-handle folds down flat for easy storage.
- 6" industrial casters.
- Expanded metal shield reduces splash.
- 110v electric pump transfers fluid up to 5 gpm.
- Weight: 97 lbs.



110V electric pump transfers fluid up to 5 gpm.

17-Gallon Low-Profile Portable Oil Drain with Optional Self-Evacuation Kit

No. JDI-LP4

- 17-gallon measured capacity (15-gallon functional capacity).
- Low-profile drain (9") fits under most trucks.
- Size 48"l x 25"w x 9"h.
- 6" industrial casters for easy handling.
- 38" T-handle folds down flat for easy storage.
- Expanded metal shield reduces splash.
- Drain can be emptied by gravity, evacuation pump or air evacuation.
- Weight: 144 lbs.



Air Evacuation Kit for JDI-LP4

No. JDI-EK

- Converts the JDI-LP4 into a self-evacuating drain.
- Using regular shop air, oil is easily transferred from the drain to the storage tank.
- Kit includes air regulator and safety relief valve, 10' evacuation hose, drain plug and mounting hardware.
- Weight: 2 lbs.



10-Gallon Low-Profile Portable Drain with Electric Evacuation Pump

No. JDI-AF10E

- Very low-profile drain (5") for use under a variety of vehicles.
- Drain has the same features as the JDI-LP5 and includes 4" industrial casters.
- Compact size measures 32"l x 25"w x 5"h.
- 110v electric pump transfers fluid up to 5 gpm.
- Weight: 60 lbs.



Oil & Fluid Handling

Fluid Evacuators remove used oil and other fluids from any vehicle using a Venturi vacuum process. Great for cars, boats, motorcycles and small engines. Vacuum-charged units are completely portable and easy to use. Includes five suction probes (metal and flexible plastic) equipped with quick-disconnect couplers for fluid extraction from the dipstick tube or other opening (see page 18). Adapters for BMW, Mercedes and VW are also included. Self-evacuating feature makes emptying clean and easy.

6-Gallon Fluid Evacuators

No. JDI-6EV

- 6-gallon steel tank.
- 7' suction hose.
- 10' evacuation hose.
- Easy-to-read vacuum gauge.
- 7" wheels for easy handling.
- Sight tube shows fluid level.
- Storage tube for suction probes.
- Hose guard keeps suction hose from crimping.
- Weight: 45 lbs.



20-Gallon Fluid Evacuators

No. JDI-20EV

- Same features as the JDI-6EV, except this unit includes a 20-gallon tank and 4" swivel casters.
- Weight: 55 lbs.



20-Gallon Fluid Evacuators with Transparent Bowl

No. JDI-20EV-B

- Same features as the JDI-6EV, except this unit includes a 20-gallon tank, transparent bowl, and 4" swivel casters.
- Weight: 65 lbs.



20-Gallon Combination Fluid Evacuators & Oil Drains

No. JDI-20COMBO

- Two drains in one.
- Versatile drain combines the features of the JDI-20DC-E (see page 6) self-evacuating drain with the vacuum extraction of the JDI-20EV.
- Weight: 62 lbs.



20-Gallon Combination Fluid Evacuators & Oil Drains with Transparent Bowl

No. JDI-20COMBO-B

- Same features as the JDI-20COMBO, except this unit includes a transparent bowl.
- Weight: 72 lbs.



Oil & Fluid Handling

Air pressurized dispensers JDI-5DP and JDI-15DP eliminate the need for an air or hand pump. Ideal for **synthetic oils**, ATF, gear oil and other fluids. Completely portable units operate inside or outside of service bays and include a 10' hose and dispensing gun.

5-Gallon Air-Operated Fluid Dispenser

No. JDI-5DP

- 5-gallon capacity steel tank.
- 2" spout with cap for easy filling.
- Air regulator and safety relief valve ensure proper pressurization.
- 7" wheels for easy handling.
- Sight tube shows fluid level.
- Weight: 48 lbs.



15-Gallon Air-Operated Fluid Dispenser

No. JDI-15DP

- Same features as the JDI-5DP, except this unit holds 15 gallons of fluid and includes 4" heavy-duty casters.
- Weight: 55 lbs.



20-Gallon Dispenser with 3:1 Pneumatic Pump

No. JDI-3726

- For motor oil, ATF and other fluids.
- 20-gallon capacity air-operated oil dispensing system is ideal for dispensing of specialty oil, synthetic oils and other low-volume non-pre-packaged oils.
- Includes a 3:1 ratio oil pump, 10' delivery hose and JD-3900 digital meter gun.
- 4" heavy-duty swivel casters and 7" fixed wheels.
- Weight: 61 lbs.



Pneumatic Oil System for 16-Gallon Open-End Drum with 3:1 Pump

(Shown with optional JDI-16B drum dolly)

No. JDOL-16

System includes:

- **JD-3610**3:1 oil pump
 - **JD-3566A**Drum cover
 - **JDM-1038**10' oil delivery hose
 - **JD-3930**Oil delivery gun
 - Weight: 26 lbs.
- (Drum not included)



Pneumatic Oil System for 55-Gallon Bung-Type Drum with 3:1 Pump

No. JDOL-55

System includes:

- **JD-3615**3:1 oil pump
 - **JDM-1038**10' delivery hose
 - **JD-3930**Oil delivery gun
 - Weight: 22 lbs.
- (Drum not included)



Lubrication Equipment

Rigid Oil Gun

No. JD-3930

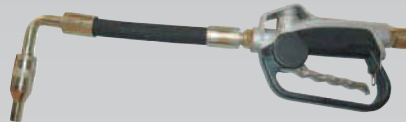
- Includes handle lock.
- Manual tip.
- Weight: 1.5 lbs.



Flexible Oil Gun

No. JD-3940

- Includes handle lock.
- Automatic tip.
- Weight: 1.5 lbs.



Non-Preset Electronic Meter Gun

No. JD-3900

- Lightweight meter gun measures oil, ATF, gear oil and other fluids.
- Non-drip nozzle.
- Measures in quarts.
- Easy-to-read LCD display.
- Includes flex spout with auto tip.
- Weight: 4 lbs.



Preset Electronic Meter Gun

No. JD-K500

- Designed to dispense preset quantity of oil, ATF, gear oil and other compatible fluids.
- Programmable between pints, gallons and liters.
- Easy-to-read LCD display.
- Set up to five different preset quantities.
- Discharge spout can be positioned at five different angles.
- Tip rotates 90°.
- Includes rigid spout with auto tip.
- Weight: 5 lbs.



5-Gallon Oil Bucket Pump

No. A-492

- Quality, manually operated pump provides fast, clean refilling.
- Smooth pumping action dispenses all types of lubricants and compatible liquids.
- Fits 5-gallon pails.
- Durable finish prevents rust and corrosion.
- Weight: 7 lbs.



Rotary Drum Pump

No. JD-W214

- Cast iron with steel inlet/outlet tubing, 2" bung adapter.
- Ideal for heavy oil, machine oil and non-corrosive liquids.
- Pumps one gallon per 14 revolutions.
- Fits 5- to 55-gallon drums.
- Weight: 11 lbs.



Oil Delivery Hose



No. JDM-1038

- 3/8" I.D. x 10'.
- 1/2" (m) x 1/2" (m).
- 2500 psi rating.
- Weight: 4 lbs.

Lever-Type Barrel Pump

No. JD-490

- Transfers lubricants, solvents, agricultural, and industrial chemicals.
- Zinc and chrome plated.
- Self-adjusting telescopic suction tube fits 15- to 55-gallon drums.
- Weight: 5 lbs.



Lift-Action Drum Pump

No. JD-3002

- Zinc-plated steel.
- For non-corrosive liquids.
- Pumps 22 ounces per minute.
- Fits all standard gallon drums.
- Weight: 5 lbs.



Lubrication Equipment



Pneumatic Grease System for Use with 35-Lb. Container

No. JDL-5

System includes:

- **JDL-3640**50:1 grease pump
- **JDH-1014**Outlet hose
- **JD-3565**Drum cover
- **JD-3560**Control handle
- **JD-3570**Follower plate
- **JD-3840Z**Z-swivel
- Weight: 22 lbs.

Rigid Outlet Grease Control Gun

No. JD-3560

- Rigid Outlet.
- 1/4" NPT inlet.
- Weight: 1.5 lbs.



Flexible Outlet Grease Control Gun

No. JD-3560F

- Flexible Outlet.
- Heavy-duty continuous flow.
- 1/4" NPT inlet.
- Weight: 1.5 lbs.



Pneumatic Grease System for Use with 120-Lb. Container

No. JDL-16 (16C)*

System includes:

- **JDL-3650**50:1 grease pump
- **JDH-1014**Outlet hose
- **JD-3566**Drum cover
- **JD-3560**Control handle
- **JD-3571**Follower plate
- **JD-3840Z**Z-swivel
- Weight: 27 lbs. *(16C: 35 lbs.)

*JDL-16C includes caster base.

Grease Delivery Hose

No. JDH-1014

- 1/4" I.D. x 8'.
- 1/4" (m) x 1/4" (f).
- 5000 psi rating.
- Weight: 4 lbs.



Pneumatic Grease System for Use with 400-Lb. Container

No. JDL-55

System includes:

- **JDL-3655**50:1 grease pump
- **JDH-1014**Outlet hose
- **JD-3567**Drum cover
- **JD-3560**Control handle
- **JD-3572**Follower plate
- **JD-3840Z**Z-swivel
- Weight: 35 lbs.

Z-Swivel

No. JD-3840Z

- 1/4" NPT x 1/4" NPT.
- Permits easy handling of control handle/booster gun when mounted between delivery hose and control valve.
- Weight: 0.5 lbs.



Fuel Handling and Storage

Fuel Chief™



JDI-25GC-P1



JDI-25GC-P

25-Gallon Poly Gas Caddy

- For fuel transfer and storage.
- 25-gallon tank is constructed of high-strength, cross-linked polyethylene for extreme durability under almost any conditions.
- Molded-in handle is designed for comfort and balance. The handle also serves as a secure rest when unit is being transported on its back.
- 10" semi-pneumatic tires allow for moving over almost any surface.
- Tank dimensions: 41"h x 24"w x 18"d.

Choose from Three Options

with Heavy-Duty Pump

No. JDI-25GC-P1

- Unit comes with two-way, heavy-duty rotary pump for either siphoning or dispensing.
- Rebuildable pump is made in the USA.
- Includes ground wire, clamp and suction hose.
- Weight: 60 lbs.

Replacement Heavy-Duty Pump No. 10206

with General Purpose Pump

No. JDI-25GC-P2

- Unit is equipped with a general purpose two-way rotary pump.
- Includes suction hose, ground wire and clamp.
- Weight: 60 lbs.

Replacement General Purpose Pump No. JD-W214

for Dispensing Only

No. JDI-25GC-P

- Safest and easiest way to gravity fuel watercraft, ATV's, lawn equipment or other motorized equipment.
- Includes 10' x 3/4" discharge hose with a heavy-duty, spring-loaded nozzle.
- Weight: 50 lbs.

Built for Strength, Durability and Efficiency



10" Heavy-Duty
Tire & Wheel



Vented Gas Cap



Molded-In Handle
2" Bung Opening



Molded-In Baffle
for Tank
Reinforcement

Fuel Handling and Storage



25-Gallon Steel Gas Caddy

Makes fuel transfer safe and easy. Ideal for auto repair shops, motorcycle shops, salvage yards and marinas where fuel tanks need to be drained before repair or removal.

No. JDI-25GC

- FM Approved.
- Two-way, heavy-duty rotary pump for either siphoning or dispensing.
- Rebuildable pump is made in the USA. (Replacement Pump No. 10206.)
- Fill level gauge.
- Ground wire and clamp.
- Fire-screened vent and filler neck combination.
- Dolly handle for ease of moving.
- Decal set for contents identification.
- Complies with OSHA guidelines.
- Weight: 88 lbs.

Specifications:

Height46" w/pump
Width21"
Depth21"
Wheels8" x 2.75"



Gas Caddy includes vent cap and fill level gauge.

Tanker Hose

No. JDI-25GC-LRJSH

- 11' hose length.
- Has a reinforced tip.
- Designed for Jaguar and Land Rover tanks or any vehicle needing a longer siphoning hose.



Two-Way Fuel Filter

No. JDI-FF25

- For use on JDI-25GC.
- Automatically filters fuel in both directions, siphoning or dispensing.
- No manual levers or valves to adjust.
- Comes with two 10-micron fuel filters, supply hose and mounting bracket.

Fuel Filter

No. GC-FF

- For use on JDI-25GC.
- 10 micron fuel filter with 3/4" NPT cast iron in-line filter adapter.



Oil Filter Crushers

Air/Hydraulic Oil Filter Crushers

- Heavy-duty aluminum frame cabinet surrounds the high pressure hydraulic hose for added safety and shields components from damage.
- Unitized construction allows for easy maintenance.
- Easy to operate: Load the filter and close the door to activate the crushing cycle.
- Specially designed door channel prevents drips and leakage, keeping oil in the chamber and not on the floor.
- Requires regulator/lubricator (not included).

Shop-Efficient Features:

- Reduce filter size by 75%, and remove over 95% of the residual oil.
- Operates on shop air and can be set up anywhere.
- Compact size takes less than four square feet of floor space.



Automotive Oil Filter Crusher

No. AFC-100-94

Heavy-Duty Truck Oil Filter Crusher

No. HDC-150-94

Note: FS-400 floor stand and 16-gallon drum are optional.



Specifications:

	AFC-100-94	HDC-150-94
Height	28-1/2"	40"
Width	12-3/4"	12-3/4"
Depth	12-3/4"	12-3/4"
Filter height	7-1/2"	13"
Filter diameter	6"	6"
Crushing force	10 tons	15 tons
Pump/type	Air/hydraulic	Air/hydraulic
Weight	111 lbs.	150 lbs.

Floor Stand

No. FS-200

- For AFC-100-04 and HDC-150-94.
- Accommodates a 5-gallon drum.
- Measures 16"w x 18"d x 31"h.
- Weight: 25 lbs.



Floor Stand

No. FS-300

- For AFC-100-04 and HDC-150-94.
- Accommodates a 16-gallon drum.
- Measures 23"w x 23"d x 36"h.
- Weight: 40 lbs.



Floor Stand

No. FS-400

- For AFC-100-94 and HDC-150-94.
- Includes an area to drain used filters before crushing.
- Accommodates a 16-gallon drum.
- Measures 28"w x 23"d x 38"h.
- Weight: 55 lbs.



Wall Bracket

No. WB-200

- Recommended for AFC-100-94.
- Wall anchors not included.
- Weight: 8 lbs.



Regulator/Lubricator

No. FRL-1

- Required for AFC-100-04 and HDC-150-94.
- Weight: 1 lb.



Used Oil Storage Systems



AGS-285D

Used Oil Storage System with Double-Wall Construction

Quality-built Features:

- UL-listed, double-wall tank in 180- to 500-gallon capacities.
- UL-listed, 1" air-operated diaphragm pump with 45 gpm capacity.
- Double-wall construction provides 110% secondary containment.
- Automatic air shut-off prevents overfilling.*
- Locking security/environmental cover.*
- High-gloss enamel paint finish.
- 3/4" x 10' suction hose with quick-connect coupler.
- Manual-operated air inlet shut-off valve.
- Air filter/regulator.
- Air supply connection hose with quick-coupler.*
- 2" drop tube with camlock fitting and dust cover.
- ONE-YEAR LIMITED WARRANTY.

* Extra on some competitive models. Standard feature on JohnDow used oil storage systems.



AGS-245D

Specifications:

No.	Capacity (Gallons)	Dimensions (L x W x H)	Weight
AGS-180D	180	60" x 28" x 41" (Workbench)	725 lbs.
AGS-245D	245	40" x 37-1/2" x 69" (Vertical)	1100 lbs.
AGS-285D	285	67" x 31" x 44" (Workbench)	1100 lbs.
AGS-500D	500	88-1/2" x 40" x 44" (Workbench)	1300 lbs.

General Shop Equipment



Professional Series Hose Reels

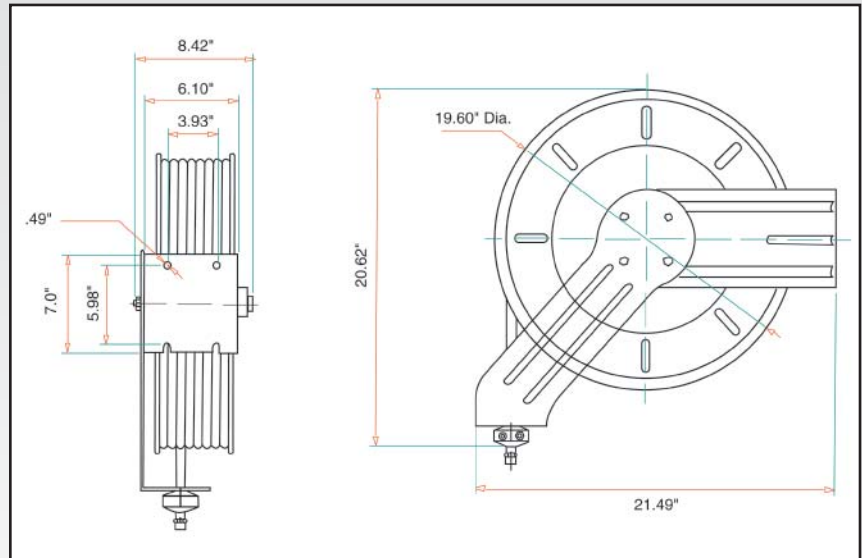
- Heavy-duty steel construction.
- Durable powder-coat corrosion resistant finish.
- 7" wide "L" shaped base for positive support.
- Four direction non-slag rollers reduce hose wear and abrasion.
- Spring is fully enclosed and lubricated.
- Full-flow swivel prevents leakage.
- Guide arm adjustable up to 9 positions permitting wall, ceiling, or floor mount.

Specifications:

Stock No.	Description	Operating Pressure	Hose I.D.	Hose Length	Weight
Low Pressure					
JD-3850	For air, water and antifreeze	300 psi	3/8"	50'	53 lbs.
JD-1250	For air, water and antifreeze	300 psi	1/2"	50'	59 lbs.
Medium Pressure					
JDM-3850	For motor oil and ATF	2250 psi	3/8"	50'	53 lbs.
JDM-1250	For motor oil and ATF	2000 psi	1/2"	50'	57 lbs.
High Pressure					
JDH-1450	For grease	5000 psi	1/4"	50'	53 lbs.



7" wide "L" shaped base for positive support.



General Shop Equipment



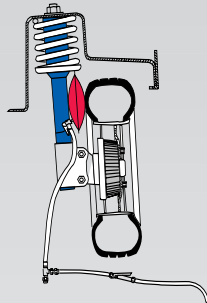
T.O.M.C.A.T. Air-Assisted Multiple Camber Adjustment Tool

No. TC-614

- Makes camber adjustment a one-man job.
- Works on many GM and Chrysler vehicles using two-bolt lower strut mounts.
- Inflatable air bladder fits between tire and strut for easy and controlled adjustment of camber settings.
- Camber can be easily set with wheels on the ground.
- Eliminates the need for special camber bolts.

Includes:

- 2' air hose and air bladder.
- Low pressure pop-off valve to prevent overinflating.
- Air control valve for inflating and controlled deflating.
- Weight: 2 lbs.



How the T.O.M.C.A.T. Works

1. With strut mount bolts loosened, place the T.O.M.C.A.T. between the tire and strut.
2. Inflate the T.O.M.C.A.T. to push the wheel to a positive camber position.
3. To adjust the camber, slowly release air from the T.O.M.C.A.T. until the wheel retracts to the specified alignment setting.
4. Tighten the bolts and the adjustment is done.



Portable Exhaust Extraction System

No. EV-5100

- The practical and affordable solution for effectively removing toxic exhaust fumes from auto repair facilities, motorcycle shops, small engine repair shops and other work areas where toxic fume removal is needed.
- Positioned next to the vehicle, the high-output suction fan captures fumes and discharges them safely up to 30' away.
- 3/4-hp fan produces 330 cfm air flow.
- Uses standard 110v current.
- Fan is mounted in tough, integrally molded polyethylene "flow thru" case.
- Mobile base makes the EV-5100 easy to position behind the vehicle or move around the shop.
- Height position is controlled by a quick-release, spring-loaded cam lock.



Specifications:

Dimensions24"w x 24"d x 35"h
Motor3/4 hp 330 cfm
Hose30'
Electrical outlet110v
Fuses (Qty=2)16A
Weight: 86 lbs.

Unique Feature:

The discharge hose stores neatly when not in use.

Parts and Accessories

Oil Drain Funnels

14" Diameter Polyethylene Funnel

No. 20174

- For JDI-5DC and JDI-5DCK models.



16" Diameter Polyethylene Funnel

No. 10174

- For JDI-16DC, JD20DC, JDI-20DC-B, and JDI-22DCX models.



16" Deep-Drawn, Offset Steel Funnel with Expanded Screen

No. 20DCE-1

- For JDI-16DC-E, JDI-20DC-E, JDI-20COMBO, JDI-22DCX, JDI-25HDC, JDI-27DC and JDI-27GFD models.



Quick-Disconnect Fluid Couplers

3/4" male coupler

No. HA-15242-00



3/4" female coupler

No. HA-15241-00

- For use with evacuation pump systems.
- Both have 3/4" NPT female threads.



16-Gallon/120-Lb. Drum Dolly

No. JDI-16B

- Band-type for use with 16-gallon, 120-lb. steel drum.
- Includes four 3" swivel casters.



55-Gallon/4000-Lb. Drum Dolly

No. MDS-24-3PH

- Sturdy steel cross section and 3" heavy-duty casters.
- 1-1/2" high-load stabilizing lip secures plastic, metal, and round or square 55-gallon containers.



Swivel Caster & Rear Wheel

4" HD Swivel Caster

No. 20DCE-3

- Fits drains: JDI-15DP, JDI-16DC-E, JDI-20EV, JDI-20DC-E, JDI-20DC-EA, JDI-20COMBO, JDI-20COMBO-B, JDI-25HDC and JDI-3726.



7" HD Rear Wheel

No. 20DCE-7

- Fits drains: JDI-5DP, JDI-6EV, JDI-15DP, JDI-16DC-E, JDI-20DC-E, JDI-20COMBO, JDI-20EV, and JDI-3726.

Hoses

No. 25HDC-1

- Evacuation hose fits JDI-25HDC.



No. 20DCE-2

- Evacuation hose fits JDI-20DC-E, JDI-20EV, and JDI-20COMBO.



No. 6EV-3

- Suction hose for JDI-6EV and JDI-20EV.



Hose Spout

No. JDI-90H

- Optional spout for self-evacuating drains where permanent hose attachment is not practical.
- Fits any hose with a 3/4" NPT (M) fitting.



Oil Drain Conversion Kit

No. 61431-2

- Converts most gravity drains to work with an evacuation pump system.
- Includes 3/4" nipple, drain valve and male quick-disconnect coupler (HA-15242-00).
- Requires female quick-disconnect for suction hose (HA-15241-00 sold separately).



Fluid Evacuator Probes

No.	Type	Dia.	Lgth.
PR5-700	Flex	3/16"	27"
PR6-700	Flex	9/16"	27"
PR8-700	Flex	11/16"	27"
PR8-1500*	Flex	13/16"	59"
PRM5-700	Metal	3/16"	27"
PRM6-700	Metal	9/16"	27"

*Optional probe not included with evacuators.

Fluid Evacuator Adapters

No.	Type
ADP-VW	Golf Adapter
ADP-BMW	BMW Adapter
ADP-MCD	Mercedes Adapter



No. ADP-VW



No. ADP-BMW



No. ADP-MCD

Product Index

Part No.	Page No.
10174	18
10206	12,13
20174	18
20DCE-1	18
20DCE-2	18
20DCE-3	18
20DCE-7	18
25HDC-1	18
61431-2	5, 18
6EV-3	18
8DCP-FUN	3
A-492	10
ADP-BMW	18
ADP-MCD	18
ADP-VW	18
AFC-100-94	14
AGS-180D	15
AGS-245D	15
AGS-285D	15
AGS-500D	15
EV-5100	17
FRL-1	14
FS-200	14
FS-300	14
FS-400	14
GC-FF	13
HA-15241-00	18

Part No.	Page No.
HA-15242-00	5, 18
HDC-150-94	14
JD-490	10
JD-1250	16
JD-2436	3
JD-3002	10
JD-3560	11
JD-3560F	11
JD-3565	11
JD-3566	11
JD-3566A	9
JD-3567	11
JD-3570	11
JD-3571	11
JD-3572	11
JD-3610	9
JD-3615	9
JD-3840Z	11
JD-3850	16
JD-3900	10
JD-3930	9, 10
JD-3940	10
JD-K500	10
JD-W214	10,12
JDH-1014	11
JDH-1450	16
JDI-5C	3

Part No.	Page No.
JDI-5DC	3
JDI-5DCK	3
JDI-5DP	9
JDI-6EV	8
JDI-8DCP	3
JDI-15DP	9
JDI-16B	9, 18
JDI-16DC-E	5
JDI-17PK	7
JDI-17PLP	7
JDI-18DCP	3
JDI-20COMBO	8
JDI-20COMBO-B	8
JDI-20DC-E	6
JDI-20DC-EA	6
JDI-20EV	8
JDI-20EV-B	8
JDI-22DCX	5
JDI-25GC	13
JDI-25GC-LRJSH	13
JDI-25GC-P	12
JDI-25GC-P1	12
JDI-25GC-P2	12
JDI-25HDC	5
JDI-27DC	4
JDI-27GFD	4
JDI-3726	9

Part No.	Page No.
JDI-90H	18
JDI-AF10E	7
JDI-EK	7
JDIF-5KITC	4
JDI-FF25	13
JDI-LP4	7
JDI-LP5	7
JDL-5	11
JDL-16	11
JDL-16C	11
JDL-55	11
JDL-3640	11
JDL-3650	11
JDL-3655	11
JDM-1038	9
JDM-1250	16
JDM-3850	16
JDOL-16	9
JDOL-55	9
MDS-24-3PH	18
PR5-700	18
PR6-700	18
PR8-700	18
PR8-1500	18
PRM5-700	18
PRM6-700	18
TC-614	17
WB-200	14