

J E T



WAREHOUSE AND DOCK CATALOG

JET®



TABLE OF CONTENTS

PALLET TRUCKS 3-8

J SERIES
PTX SERIES
W SERIES
JTX SERIES
FOUR WAY
HLPT HIGH LIFT AND EHPT
ELECTRONIC HIGH LIFT

SCISSOR LIFT TABLES 9-10

TSLT AND SLT
DSL T AND SLT

STACKERS 11

JHS HYDRAULIC AND
JWS WINCH

SERVICE AND PLATFORM CARTS 12

SC AND PUC SERVICE CARTS AND
APT PLATFORM CARTS

PLATFORM CARTS AND DOLLIES 13

FOLD DOWN PLATFORM CARTS AND
HARDWOOD DOLLIES

DRUM LIFTING 14

DRUM LIFTERS
DRUM CHAIN SLING
DRUM TONGS

MATERIAL HANDLING 15-16

BARREL PUMPS
DRUM DOLLIES
PALLET PULLERS
RATCHET STRAPS
LOAD BINDERS
TRANSPORT CHAINS

WARRANTY INFORMATION 17

AUTHORIZED SERVICE 18-22 CENTERS



COUNTDOWN SWEEPSTAKES

WIN BIG! WITH THE ULTIMATE YEAR-LONG GIVEAWAY!

Enter for a chance to win our monthly JET Tools Anniversary Sweepstakes and automatically be entered to win our year ending Ultimate Work Shop Grand Prize.

12 MONTHLY PRIZES!
NEW GIVEAWAYS EVERY MONTH!



1 HUGE GRAND PRIZE!
\$10,000 ULTIMATE WORKSHOP!



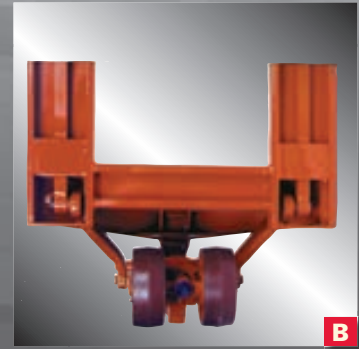
600 INSTANT PRIZES!
GREAT GIFTS JUST FOR ENTERING!



Sweepstakes ends
December 31, 2008.

ENTER NOW

GO TO WWW.JETTOOLS.COM/GIVEAWAY

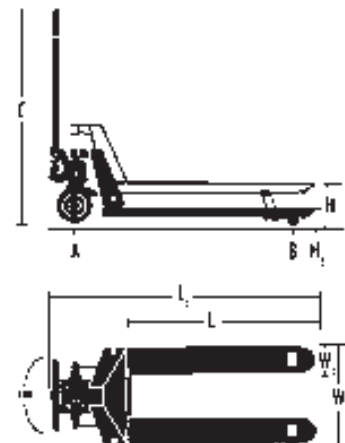


A. Rounded Fork Tips
B. Solid Steel Push Rod

C. Heavy-Duty Hydraulic Pump

FEATURES

- 5,000 pound capacity
- High-quality welded steel construction with a durable powder coat finish
- 2-1/2" low profile design for smaller size pallet openings
- Easy-to-use with single hand operation, fingertip controls and 180° turning radius
- Extra wide poly-over-steel steer wheels provide a smooth, quiet ride with added traction and stability
- Wheel bearings are double sealed and lifetime lubricated

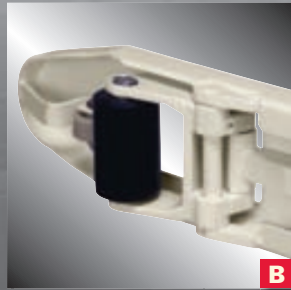


DIMENSIONS (IN)

Stock Number	Model	W1 (in)	W2 (in)	L1 (in)	L2 (in)	H1 (in)	H2 (in)	A (in)	B (in)	C (in)	Weight (lbs)
140016	PT-1636J	16	6	36	51	6-1/4	2-1/2	6-1/4 X 2-3/4	2-1/2 X 3-3/4	45-1/8	150
140085	PT-2036J	20-1/2	6	36	51	6-1/4	2-1/2	6-1/4 X 2-3/4	2-1/2 X 3-3/4	45-1/8	154
140084	PT-2042J	20-1/2	6	42	57	6-1/4	2-1/2	6-1/4 X 2-3/4	2-1/2 X 3-3/4	45-1/8	161
140083	PT-2048J	20-1/2	6	48	63	6-1/4	2-1/2	6-1/4 X 2-3/4	2-1/2 X 3-3/4	45-1/8	172
140082	PT-2736J	27	6	36	51	6-1/4	2-1/2	6-1/4 X 2-3/4	2-1/2 X 3-3/4	45-1/8	174
140081	PT-2742J	27	6	42	57	6-1/4	2-1/2	6-1/4 X 2-3/4	2-1/2 X 3-3/4	45-1/8	185
140080	PT-2748J	27	6	48	63	6-1/4	2-1/2	6-1/4 X 2-3/4	2-1/2 X 3-3/4	45-1/8	196



A



B



C

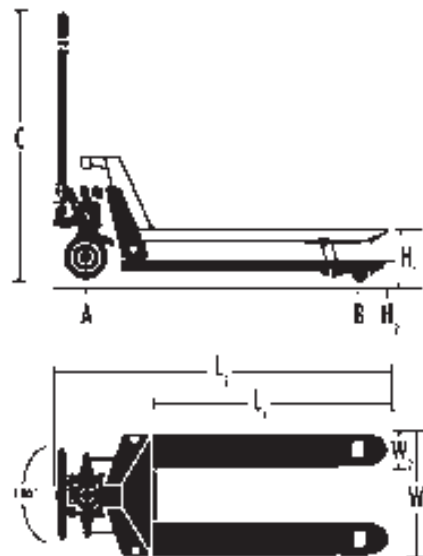


- A. Ergonomic Grip**
- B. Rounded Fork Tips With Nylon Guide Rollers**
- C. One-Piece Cast Iron Pump**



FEATURES

- 5,500 pound capacity
- 2-1/2" lowered height
- 210° turning radius
- One piece cast iron pump features high quality seals, hardened and chrome-plated ram and piston, top-of-stroke and overload bypass valves
- Rounded fork tips with nylon guide rollers for trouble-free pallet entry and exit
- Solid Steel push rod never needs adjusting
- Extra wide poly over aluminium steer wheels feature double sealed, lifetime lubricated bearings.



DIMENSIONS

Stock Number	Model	W1 (in)	W2 (in)	L1 (in)	L2 (in)	H1 (in)	H2 (in)	A (in)	B (in)	C (in)	Weight (lbs)
140091	PTX-2048	20	6	48	51	6-1/4	2-1/2	7 X 2	2-1/2 X 3-3/4	47-1/4	172
140092	PTX-2036	20	6	36	51	6-1/4	2-1/2	7 X 2	2-1/2 X 3-3/4	47-1/4	150
140093	PTX-2748	27	6	48	63	6-1/4	2-1/2	7 X 2	2-1/2 X 3-3/4	47-1/4	196



PALLET TRUCKS

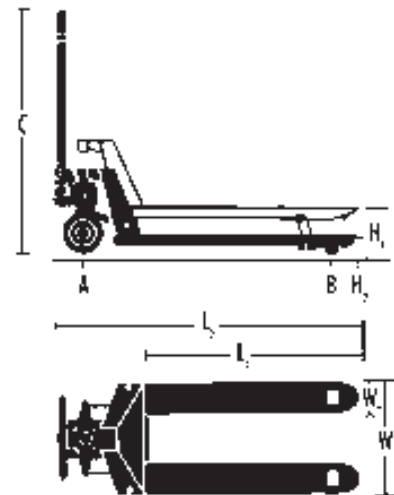


A. Ergonomic Grip

B. Nylon Entry Rollers

FEATURES

- 6,000 pound capacity
- 200° turning radius allows room to maneuver in tight quarters
- Articulating 7" poly-over-aluminum steer wheels ensure continual contact with uneven floors
- One-piece cast pump features high quality seals, hardened and chrome plated ram and piston, top-of-stroke and overload safety bypass valves
- Single point valve replacement for quick and easy rebuild
- Rounded fork tips with nylon guide rollers for trouble-free pallet entry and exit
- Solid steel push rods never need adjustment
- Wheel bearings are double sealed and lifetime lubricated



DIMENSIONS

Stock Number	Model	W1 (in)	W2 (in)	L1 (in)	L2 (in)	H1 (in)	H2 (in)	A (in)	B (in)	C (in)	Weight (lbs)
140070	PT-2036W	20-1/2	6-1/4	36	52-1/2	7-3/4	2-7/8	7 X 2	2-7/8 X 3-11/16	47	170
140071	PT-2042W	20-1/2	6-1/4	42	58-1/2	7-3/4	2-7/8	7 X 2	2-7/8 X 3-11/16	47	179
140072	PT-2048W	20-1/2	6-1/4	48	64-1/2	7-3/4	2-7/8	7 X 2	2-7/8 X 3-11/16	47	187
140073	PT-2736W	27	6-1/4	36	52-1/2	7-3/4	2-7/8	7 X 2	2-7/8 X 3-11/16	47	183
140074	PT-2742W	27	6-1/4	42	58-1/2	7-3/4	2-7/8	7 X 2	2-7/8 X 3-11/16	47	192
140075	PT-2748W	27	6-1/4	48	64-1/2	7-3/4	2-7/8	7 X 2	2-7/8 X 3-11/16	47	200

PALLET TRUCKS



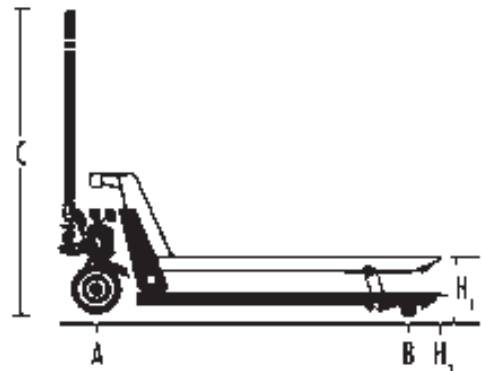
A. Ergonomic Grip
B. Nylon Entry Roller

C. One-Piece Cast Iron Grip



FEATURES

- 8,000 pound capacity
- One-piece cast pump features high quality seals, hardened and chrome plated ram and piston, top-of stroke and overload bypass valves
- Rounded fork tips with nylon guide rollers for trouble-free pallet entry and exit
- Solid steel push rods never need adjustment
- 210° turning radius
- Large 8" poly over aluminium steering wheels feature double sealed, lifetime lubricated bearings

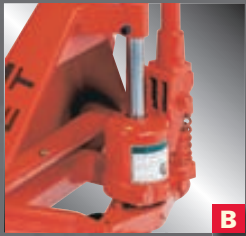


DIMENSIONS

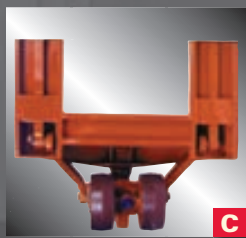
Stock Number	Model	W1 (in)	W2 (in)	L1 (in)	L2 (in)	H1 (in)	H2 (in)	A (in)	B (in)	C (in)	Weight (lbs)
140800	JTX-2748	27	6-1/4	48	63-1/2	6-1/4	3-1/4	8 x 2	3-1/4 x 3-1/2	49-1/4	240



A



B



C



D

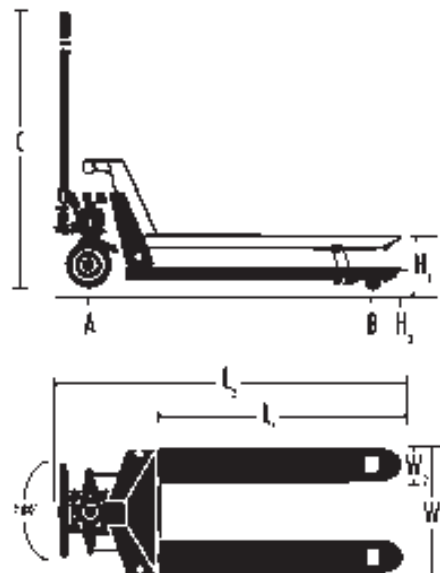


A. Rounded Fork Tips
B. Heavy-Duty Hydraulic Pump

C. Solid Steel Push Rod

FEATURES

- 5,000 pound capacity
- High-quality welded steel construction with a durable powder coat finish
- 2-1/2" low profile design for smaller size pallet openings
- Easy-to-use single hand operation, fingertip controls and 180° turning radius
- Pump features high quality seals, hardened and chrome plated ram and piston, and top of stroke and overload by pass valves
- Extra wide poly-over-steel steer wheels provide a smooth, quiet ride with added traction and stability
- Wheel bearings are double sealed and lifetime lubricated



DIMENSIONS

Stock Number	Model	W1 (in)	W2 (in)	L1 (in)	L2 (in)	H1 (in)	H2 (in)	A (in)	B (in)	C (in)	Weight (lbs)
140033	PT-3348J	33	6	48	63	6-1/4	2	6-1/4 x 2-3/4	2 x 3-3/4	45-1/8	184

HLPT HIGH LIFT AND EHPT ELECTRONIC HIGH LIFT PALLET TRUCKS



PALLET TRUCKS



HLPT HIGH LIFT PALLET TRUCK FEATURES

- Designed to lift and transport skids or open-style pallets with ease
- Great for use as a mobile work station to reduce lifting injuries
- Heavy-duty steel frame with tough powder coat finish
- Powerful two-stage hydraulic pump may be operated by steering handle or convenient foot pedal
- Pump also features quick lifting action with no load
- Top-of-stroke and safety overload bypass system prevents damage to hydraulic pump
- Wheel bearings are double sealed and lubricated for life
- Rounded fork tips for trouble-free pallet entry and exit
- Large, ergonomic cushion grip handles with fingertip controls
- Automatic floor brake engages when forks are raised

HLPT HIGH LIFT PALLET TRUCK SPECIFICATIONS

Stock Number	Model	Capacity (lbs)	Minimum Height (in)	Maximum Height (in)	Overall Fork Dimensions (l _x w/in)	Fork Width (in)	Load Wheels (od _x w/in)	Steer Wheels (od _x w/in)	Weight (lbs)
140088	HLPT-2745	2200	3-3/8	32	45 x 27	6-1/4	3 x 2	7 x 2	248

EHPT HIGH LIFT PALLET TRUCK SPECIFICATIONS

Stock Number	Model	Capacity (lbs)	Minimum Height (in)	Maximum Height (in)	Overall Fork Dimensions (l _x w/in)	Fork Width (in)	Load Wheels (od _x w/in)	Steer Wheels (od _x w/in)	Weight (lbs)
140090	EHPT-2745	2200	3-1/4	31-1/2	45 x 26-3/4	6-3/8	6 x 2	6 x 2	409

OPTIONAL ACCESSORIES HLPT AND EHPT

Steel Platform for HLPT-2745 and EHPT-2745	140095
--	--------

EHPT ELECTRONIC HIGH LIFT PALLET TRUCK FEATURES

- Designed to lift and transport skids or open-style pallets with ease
- Doubles as a mobile work station to reduce fatigue and lifting injuries
- Heavy-gauge steel frame with tough powder coat finish
- Automatic overload bypass valve provides extra pump protection
- ACDelco® maintenance-free 12V, 60Hz battery
- Convenient 115V, 1Ph on-board charger with industrial power cables
- Lifts capacity in 18 seconds
- Rounded fork tips for trouble-free pallet entry and exit
- Large, ergonomic handle steering handle with fingertip controls
- Automatic floor brake engages with forks are raised



140770



140780



TSLT SERIES TILTING SCISSOR LIFT TABLE FEATURES

- Combines lifting, tilting and transporting in a single unit to provide easy access to parts bins, tote boxes, etc
- Helps reduce bending and lifting injuries
- Heavy-duty steel frame and table
- Easy-to-use hydraulic foot pump raises table to multiple heights
- Quick lifting action with no load
- Large steel retaining lip secures load during operation
- Smooth rolling poly over nylon casters, two swivel and two fixed with parking brake
- Foot operated parking brake on swivel casters

TSLT SERIES TILTING SCISSOR LIFT TABLE DIMENSIONS

Stock Number	Model	Capacity (lbs)	Min./Max. Table Front Height (in)	Min./Max. Table Back Height (in)	Table Length (in)	Table Width (in)	Maximum Table Tilt (deg)	Overall Length (in)	Handle Height (in)	Number of Strokes to Reach Maximum Height	Weight (lbs)
140770	TSLT-770	700	17-18/39	17-1/8/61	36	24	45	48	37-5/8	23	298

SLT SERIES JUMBO SCISSOR LIFT TABLE FEATURES

- Lift, position and transport heavy loads with ease
- Heavy-duty steel frame and extra large table surface
- Easy-to-use hydraulic foot pump raises table to multiple heights
- Quick lifting action with no load
- Foot operated parking brake on swivel casters

SLT SERIES JUMBO SCISSOR LIFT TABLE DIMENSIONS

Stock Number	Model	Capacity (lbs)	Minimum Height (in)	Maximum Height (in)	Table Length (in)	Table Width (in)	Overall Length (in)	Handle Height (in)	Number of Strokes to Reach Maximum Height	Weight (lbs)
140780	SLT-1100	1100	11-1/8	36	63	31-1/2	73-1/2	37	33	292

DSL T AND SL T SCISSOR LIFT TABLES



SCISSOR LIFT TABLES



DSL T SERIES DOUBLE SCISSOR LIFT TABLE FEATURES

- Ergonomic answer to preventing back injuries
- Heavy-duty steel frame and table
- Smooth rolling poly over nylon casters, two swivel and two fixed with parking brake
- Easy-to-use hydraulic foot pump raises table to multiple heights
- Quick lifting action with no load
- Safety overload and top-of-stroke bypass system provides maximum pump protection

DSL T SERIES DOUBLE SCISSOR LIFT TABLE DIMENSIONS

Stock Number	Model	Capacity (lbs)	Minimum Height (in)	Maximum Height (in)	Table Length (in)	Table Width (in)	Overall Length (in)	Handle Height (in)	Number of Strokes to Reach Maximum Height	Weight (lbs)
140778	DSL T-770	770	13-9/16	51-1/8	35-5/8	20-1/8	45-3/4	37-1/4	21	235

SL T SERIES SCISSOR LIFT TABLE FEATURES

- Ideal for lifting, positioning and transporting heavy materials around the shop, factory, warehouse or office
- Ergonomic answer to preventing back injuries
- Heavy-duty steel frame and table
- Smooth rolling poly over nylon casters, two swivel and two fixed with parking brake
- SL T-1650 model features rugged poly over steel casters
- Easy-to-use hydraulic foot pump raises table to multiple heights
- Quick lifting action with no load
- Safety overload and top-of-stroke bypass system provides maximum pump protection
- SL T-330F and SL T-660F models feature fold-down handles

SL T SERIES SCISSOR LIFT TABLE DIMENSIONS

Stock Number	Model	Capacity (lbs)	Minimum Height (in)	Maximum Height (in)	Table Length (in)	Table Width (in)	Overall Length (in)	Handle Height (in)	Number of Strokes to Reach Maximum Height	Weight (lbs)
140771	SL T-330F	330	8-5/8	28-3/4	27-1/2	17-3/4	36	34-1/8	16	91
140777	SL T-660F	660	10-5/8	32-3/8	32-1/2	19-5/8	40-1/2	37-13/16	13	158
140779	SL T-1650	1650	16	38-5/8	39-3/8	20-1/8	52-1/2	38-1/2	15	243



Shown with optional platform

140521

140501



JHS HYDRAULIC STACKER FEATURES

- Economical and ergonomic way to handle standard 40" x 48" pallets
- Works like a manual forklift to load or unload trucks or stock shelves
- Heavy-duty welded steel frame with a durable powder coat finish
- Powerful two-stage hydraulic pump features quick-lift with no load, top-of-stroke and safety overload bypass system
- Heavy-duty dual roller chain for exceptional strength
- Adjustable width forks and outrigger legs handle all pallet sizes
- Safety cage provides great visibility
- No tools required for optional steel platform

JHS HYDRAULIC STACKER DIMENSIONS

Stock Number	Model	Capacity (lbs)	Pallet Capacity (lxw/in)	Load Center (in)	Maximum Lift Height (in)	Minimum Fork Height (in)	Turning Radius (degrees/in)	Handle Force Required At Capacity (lbs)	Handle Strokes to Reach Maximum height	Fork Dimensions (in)
140521	JHS-2200	2200	48 x 40	20	59	2-3/4	360/50	85	44/70	41-3/4 x 5-1/4 x 2-1/4
		Outrigger Size (wxh/in)	Overall Fork Width Min./Max. (in)	Outrigger Inner Width Min./Max. (in)	Outrigger Outer Width Min./Max. (in)	Load Wheel Size (odxw/in)	Caster Size (odxw/in)	Overall Dimensions (lxwxh/in)	Weight (lbs)	
		4x3-1/2	11/27-1/2	34-1/4/50-1/2	42/58-384	5x3-1/4	7x2	62x42x78	548	

JHS HYDRAULIC STACKER OPTIONAL ACCESSORIES

Steel Platform	140523
----------------	--------

JWS SERIES WINCH STACKER FEATURES

- Simple, easy way to lift, lower and transport heavy loads with minimum effort
- Heavy-duty welded steel frame with a durable powder coat finish
- Low effort hand winch equipped with automatic brake system and adjustable length handle
- Easy to maneuver with large diameter swivel casters
- Swivel casters feature foot brake to prevent movement
- Adjustable width forks and legs provide versatility
- Safety cage provides great visibility

JWS SERIES WINCH STACKER DIMENSIONS

Stock Number	Model	Capacity (lbs)	Pallet Capacity (lxw/in)	Load Center (in)	Maximum Lift Height (in)	Minimum Fork Height (in)	Turning Radius (degrees/in)	Handle Force Required At Capacity (lbs)	Handle Strokes to Reach Maximum height	Fork Dimensions (in)
140501	JWS-770	770	48x40	18	59	3	360/31	16	33	36x3x1-3/4
		Outrigger Size (wxh/in)	Overall Fork Width Min./Max. (in)	Outrigger Inner Width Min./Max. (in)	Outrigger Outer Width Min./Max. (in)	Load Wheel Size (odxw/in)	Caster Size (odxw/in)	Overall Dimensions (lxwxh/in)	Weight (lbs)	
		2-3/8x2-3/8	6-3/8/30	33-1/2/49-1/2	39/59	3-1/4x2	6x1-1/4	59x39-1/2x73	248	

JWS SERIES WINCH STACKER OPTIONAL ACCESSORIES

Steel Platform	140503
----------------	--------

SC AND PUC SERVICE CARTS AND APT PLATFORM CARTS



SERVICE AND PLATFORM CARTS



140024



140018



140028



SC SERIES SERVICE CART FEATURES

- 3-1/2" deep metal trays are reversible and hold up to 250 pounds each
- Rugged, metal trays have rolled edge for added strength
- 14 gauge support brackets; 20 gauge trays
- 5" hard rubber casters, two swivel, two fixed for ease in maneuvering
- Perfect for use in offices, shops, warehouses, etc.

SC SERIES SERVICE CART SPECIFICATIONS

Stock Number	Model	Capacity (lbs)	Tray Size (wxlxd/in)	Overall Height (in)	Weight (lbs)
140023	SC-1630	500	16 x 30 x 3-1/2	32	35
140024	SC-2436	500	24 x 36 x 3-1/2	32	48

PUC SERIES HEAVY-DUTY RESIN SERVICE CARTS FEATURES

- Heavy-duty resin construction resists dents, chips and rust
- Round corners mean no sharp edges to nick walls or furniture
- Handle had built in storage bins
- Large, quiet non-marking 5" casters

PUC SERIES HEAVY-DUTY RESIN SERVICE CARTS SPECIFICATIONS

Stock Number	Model	Capacity (lbs)	Shelf Size (lwx/in)	Upper Shelf Height (in)	Height Between Shelves (in)	Lower Shelf Height (in)	Caster Size (in)	Overall Size (lwxh/in)	Weight (lbs)
140018	PUC-3117	550	31-1/8 x 17-1/8	33-1/2	19-1/2	6	5 x 1	39-3/4 x 17-1/8 x 33-1/2	40
140019	PUC-3725	550	37-3/8 x 25-5/8	33-1/2	19-1/2	6	5 x 1	46 x 25-5/8 x 33-1/2	42

APT SERIES ALUMINUM PLATFORM CARTS FEATURES

- Lightweight, corrosion resistant aluminium platform trucks are built for heavy-duty use
- Corner sockets at both ends allow handles to be used on either side
- Box style frame is made of high strength welded aluminum channel
- Comes standard with two swivel and two fixed casters for smooth operation

APT SERIES ALUMINUM PLATFORM CARTS SPECIFICATIONS

Stock Number	Model	Capacity (lbs)	Platform Size (lwx/in)	Platform Height (in)	Handle Height (in)	Caster Size (in)	Weight (lbs)
140028	APT-2448	2000	48 x 24	9	35-3/4	5 x 2	56
140029	APT-3060	2000	60 x 30	9	35-3/4	5 x 2	73



FOLD DOWN PLATFORM CARTS FEATURES

- Heavy gauge steel construction with large nonskid platform
- Ideal for transporting loads up to 660 pounds around the shop or office
- Vinyl perimeter bumper protects walls, doorways, furniture, etc.
- Folding handle for compact storage
- Smooth rolling 5" hard rubber casters, two swivel and two fixed on FDPT-660
- Large 8" pneumatic casters, two swivel and two fixed, for handling delicate items or rolling over rough surfaces on FDPT-660P

FOLD DOWN PLATFORM CARTS SPECIFICATIONS

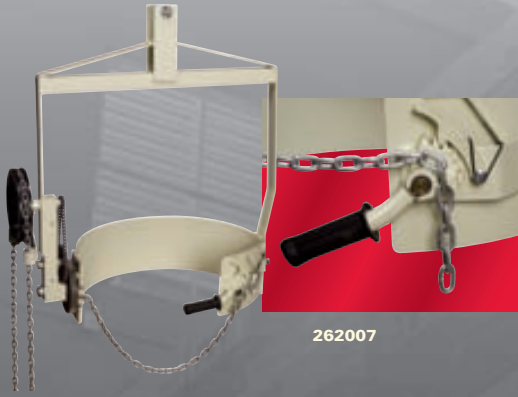
Stock Number	Model	Capacity (lbs)	Platform Size (w x l/in)	Handle Height (in)	Wheel Size (in)	Wheel Type	Weight (lbs)
140021	FDPT-660	660	24 x 36	34-1/4	5	Rubber	58
140022	FDPT-660P	660	24 x 36	37-3/4	8	Pneumatic	73

HARDWOOD DOLLIES FEATURES

- Use JET hardwood dollies for moving furniture, bulky crates and many other items
- Kiln dried oak used to prevent warping or shrinkage
- Countersunk bolt holes to provide a smooth working surface
- Oak is sealed with varnish for moisture protection
- Heavy-duty zinc plated casters feature double race bearings
- Non-marking 4" x 1-1/4" polyolefin tread that resists oil, water and impact
- 1000 pounds maximum capacity for evenly distributed load

HARDWOOD DOLLIES SPECIFICATIONS

Stock Number	Model	Bed Type	Size (l x w/in)	Weight (lbs)
140100	WDF-2416	Flush End	24 x 16	17
140101	WDF-3018	Flush End	30 x 18	22
140103	WDS-2416	Solid Top	24 x 16	20
140104	WDS-3018	Solid Top	30 x 18	25
140105	WDS-3624	Solid Top	36 x 24	30
140106	WDC-3018	Carpet End	30 x 18	16
140107	WDC-3624	Carpet End	36 x 24	17
140108	WDR-3018	Rubber End	30 x 18	16



262007



262006



262003



262002



DRUM LIFTER FEATURES

- For 55 gallon closed steel drums
- 800 pound capacity
- Ideal for low level pouring and dumping operations
- Positive tilt lock on drum saddle to hold rum in upright position on manual model
- When tilt lock is released, the drum can be rotated 360° in either direction
- Tilt lock can hold drum in horizontal position
- Geared model features chain control and low effort for ease of use at any height
- Works easily with overhead hoist for hook from forklift

DRUM LIFTERS SPECIFICATIONS

Stock Number	Description	Weight (lbs)
262004	Manual Drum lifter/dispenser	44
262007	Geared drum lifter/dispenser	84

DRUM CHAIN SLING FEATURES

- Designed to be used with hoists
- Can be used on steel drums with or without a lid

DRUM CHAIN SPECIFICATIONS

Stock Number	Single (lbs)	Double (lbs)	Weight (lbs)
262006	1100	2200	49

DRUM LIFTER FEATURES

- 770 pound capacity
- For lifting 55 gallon drums that have a top lip, ring or chime
- Easily moves and handles open or closed head, loaded steel drums
- Allows quick, gentle loading into overpacks and keeps drums upright during lift reducing spills and injuries
- Works easily with overhead hoist for hook from forklift
- All steel construction

DRUM LIFTER SPECIFICATIONS

Stock Number	Capacity (lbs)	Weight (lbs)
262003	770	20

DRUM TONGS FEATURES

- 1000 pound capacity
- For lifting 55 gallon drums with overhead hoist or hook from forklift
- All steel construction
- Stock number 262001 suitable for open top or tight head steel drum and plastic drums with L or XL ring
- Stock number 262002 suitable for open top or tight head steel drums
- 262002 features a release lever that allows hooks to fall and locate under both rims. The hooks will automatically engage as the drum is lifted and disengage and the drum is set down

DRUM TONGS SPECIFICATIONS

Stock Number	Capacity (lbs)	Weight (lbs)
262001	1000	7
262002	1000	17



BARREL PUMPS FEATURES

- For dispensing gasoline, diesel fuel, kerosene, machine oil, transmission fluid, hydraulic fluid, and similar light petroleum based products
- Strong die cast aluminum construction
- Fits 15 to 55 gallon drums with 2" bung openings
- Includes 3/4" inlet pipe, and bung adapter.
- Not for use with solvents, acids, alkalis, water or other corrosive liquids

BARREL PUMP SPECIFICATIONS

Stock Number	Model	Pump Type	Inlet Size (npt/in)	Delivery Volume	Overall Length (in)	Weight (lbs)
140035	RHP-80	Rotary Vane	1	7-10 GPM	51-1/2	10

DRUM DOLLIES FEATURES

- Strong and durable dollies easily transport up to 55 gallon drums
- Welded steel frame with 3-1/8" cross straps features powder coat finish
- Heavy-duty zinc plated casters feature double race bearings
- Non-marking 3" x 1-1/4" polyolefin treads that resist oil, water and impact

DRUM DOLLIES SPECIFICATIONS

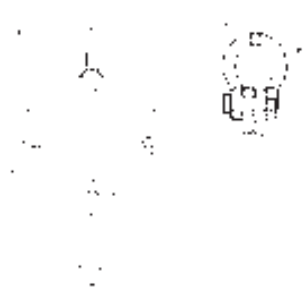
Stock Number	Model	Capacity (lbs)	Drum Size (gal)	Inside Diameter (in)	Weight (lbs)
140120	DD-30	700	30	1-3/4	19
140121	DD-55	900	55	23-3/4	28

PAPL SERIES PALLET PULLERS FEATURES

- Heavy-duty solid steel pallet pullers are designed to pull pallets across a smooth floor
- Heat treated, carbon steel teeth
- For unloading trucks at ground level
- Extends forklift reach
- Single scissor action provides superior grip
- Not designed to be used for lifting

PAPL SERIES PALLET PULLERS SPECIFICATIONS

Stock Number	Model	Capacity (lbs)	Weight (lbs)
140001	PAPL-1	2000	13
140002	PAPL-2	4000	21



A Max.	A Min.	B Max.	B Min.	C	D	E Max.	E Min.
16-1/4	10-1/4	12-3/16	10-13/16	2-13/16	5/8	4	1-1/8
21-3/4	13-3/8	15-3/8	12-3/16	3-3/8	13/16	7-7/8	1-1/8



140035



140120



140001



MATERIAL HANDLING

RATCHET STRAPS, LOAD BINDERS AND TRANSPORT CHAINS



MATERIAL HANDLING



RATCHET STRAPS FEATURES

- Designed to hold loads in place on trucks, rail cars, ships and other freight carriers
- Easy to attach and remove with 18" fixed length
- Heavy-duty quick action ratchet draws strap tight over the load
- Strap is weather resistant, low stretch 2-ply polyester
- Red color core provides warning that strap is damaged and must be replaced
- Zinc coated steel components to inhibit rust
- Flat hook or J-hook style available
- Complies with US Dot regulations

⚠ WARNING

- Do not exceed working load limit
- Read owners manual for additional warnings and precautions

RATCHET STRAPS SPECIFICATIONS

Stock Number	Model	Working Load Limit (lbs)	Break Strength (lbs)	Hook Type	Web Strap Width (in)	Web Strap Length (ft)	Fixed Strap Length (in)	Weight (lbs)
583230	RSA-6F	2000	6000	Flat	2	27	18	6
583231	RSA-10F	3300	10000	Flat	2	27	18	7
583232	RSA-6J	2000	6000	J	2	27	18	6
583233	RSA-10J	3300	10000	J	2	27	18	7

LOAD BINDERS FEATURES

- Drop forged heat treated alloy steel construction
- Take up slack and secure chain around cargo in one operation
- Easy-to-use with lever or ratchet type handle and 360° swivel hooks
- Durable rust resistant powder coat finish
- Complies with US DOT regulations

⚠ WARNING

- Do not exceed working load limit
- Read owners manual for additional warnings and precautions

LOAD BINDERS SPECIFICATIONS

Stock Number	Model	Min./Max. Chain Size (in)	Handle Length (in)	Take Up (in)	Working Load Limit (lbs)	Weight (lbs)
583246	LB-8	3/16 / 1/4	11-7/8	2-3/4	2600	4
583245	LB-19	5/16 / 3/8	15-3/4	4	5400	9
583247	LB-28	3/8 / 1/2	18-1/2	4	9200	12
583248	RLB-19	5/16 / 3/8	14	8	5400	11

TRANSPORT CHAIN FEATURES

- Ideal for heavy-duty towing and binding applications
- System 7 (transport quality) chain is grade 70 with yellow zinc finish for rust resistance
- Drop forged clevis grab hooks
- Proof tested and certified
- Complies with US DOT regulations

⚠ WARNING

- Do not exceed working load limit
- Read owners manual for additional warnings and precautions

TRANSPORT CHAIN SPECIFICATIONS

Stock Number	Model	Chain Link Diameter (in)	Chain Length (ft)	Working Load Limit (lbs)	Weight (lbs)
252920	5/16-TC-20	5/16	20	4700	21
252940	5/16-TC-40	5/16	40	4700	42
252947	3/8-TC-20	3/8	20	6600	33
252948	3/8-TC-40	3/8	40	6600	66

WARRANTY AND SERVICE

WMH Tool Group, Inc., warrants every product it sells. If one of our tools needs service or repair, one of our Authorized Service Centers located throughout the United States can give you quick service. In most cases, any of these WMH Tool Group Authorized Service Centers can authorize warranty repair, assist you in obtaining parts, or perform routine maintenance and major repair on your JET® tools. For the name of an Authorized Service Center in your area call 1-800-274-6848.

MORE INFORMATION

WMH Tool Group is consistently adding new products to the line. For complete, up-to-date product information, check with your local WMH Tool Group distributor, or visit jettools.com.

WARRANTY

JET products carry a limited warranty which varies in duration based upon the product. (MW = Metalworking, WW = Woodworking)



Pallet Trucks
Stackers
Pallet Pullers
Ratchet Straps
Load Binders

WHAT IS COVERED?

This warranty covers any defects in workmanship or materials subject to the exceptions stated below. Cutting tools, abrasives and other consumables are excluded from warranty coverage.

WHO IS COVERED?

This warranty covers only the initial purchaser of the product.

WHAT IS THE PERIOD OF COVERAGE?

The general JET warranty lasts for the time period specified in the product literature of each product.

WHAT IS NOT COVERED?

This warranty does not cover defects due directly or indirectly to misuse, abuse, negligence or accidents, normal wear-and-tear, improper repair or alterations, or lack of maintenance.

HOW TO GET SERVICE

The product or part must be returned for examination, postage prepaid, to a location designated by us. For the name of the location nearest you, please call 1-800-274-6848.

You must provide proof of initial purchase date and an explanation of the complaint must accompany the merchandise. If our inspection discloses a defect, we will repair or replace the product, or refund the purchase price, at our option.

We will return the repaired product or replacement at our expense unless it is determined by us that there is no defect, or that the defect resulted from causes not within the scope of our warranty in which case we will, at your direction, dispose of or return the product. In the event you choose to have the product returned, you will be responsible for the shipping and handling costs of the return.

HOW STATE LAW APPLIES

This warranty gives you specific legal rights; you may also have other rights which vary from state to state.

LIMITATIONS ON THIS WARRANTY

WMH TOOL GROUP LIMITS ALL IMPLIED WARRANTIES TO THE PERIOD OF THE LIMITED WARRANTY FOR EACH PRODUCT. EXCEPT AS STATED HEREIN, ANY IMPLIED WARRANTIES OR MERCHANTABILITY AND FITNESS ARE EXCLUDED. SOME STATES DO NOT ALLOW LIMITATIONS ON HOW LONG THE IMPLIED WARRANTY LASTS, SO THE ABOVE LIMITATION MAY NOT APPLY TO YOU.

WMH TOOL GROUP SHALL IN NO EVENT BE LIABLE FOR DEATH, INJURIES TO PERSONS OR PROPERTY, OR FOR INCIDENTAL, CONSEQUENTIAL, SPECIAL, OR CONSEQUENTIAL DAMAGES ARISING FROM THE USE OF OUR PRODUCTS. SOME STATES DO NOT ALLOW THE EXCLUSION OR LIMITATION OF INCIDENTAL OR CONSEQUENTIAL DAMAGES, SO THE ABOVE LIMITATION OR EXCLUSION MAY NOT APPLY TO YOU.

WMH Tool Group sells through distributors only. The specifications in WMH catalogs are given as general information and are not binding. Members of WMH Tool Group reserve the right to effect at any time, without prior notice, those alterations to parts, fittings, and accessory equipment which they may deem necessary for any reason whatsoever. **JET® branded products are not sold in Canada by WMH Tool Group.**

ALABAMA

Alabama Industrial LLC 907 Alton Parkway Birmingham, AL 35210 (205) 833-8620 7-5pm M-F

Alabama Jack Company, Inc. 1140 Fifth Avenue North Birmingham, AL 35203 205-251-8156 7:30-4:30 M-Th 7-4 Fri.

Bay City Tool & Repair Co. 4405 Halls Mill Rd, Bldg F Ste 4 Mobile, AL 36693 251-666-8406 7:30-3:30 Mon-Thursday 7:30-12:00 Friday

Brackin Wholesale Coatings, Inc. 725 S. Oates St Dothan, AL 36301 334-793-4330 7-5pm

Mobile Industrial Tool Inc 2503 Commercial Park Drive Mobile, AL 36606 334-478-3335

Todd Enterprises 110 Chula Vista Drive Pell City, AL n35125 205-884-2787

Tool Specialty, Inc. 141 Commerce Court Pelham, AL 35124 205-733-9292 800-554-4516 7-4:30 M-F

ALASKA

Air-Hydraulic Service 1107 E. 72nd Ave. Bay 9 Anchorage, AK 99515 907-344-5959

Alaska Tool & Equipment Serv. 3207 Artic Blvd. Anchorage AK, 99503 907-562-6151 8-5 M-F

Construction Machinery Inc. 5295 Glacier Highway Juneau, AK 99801 907-780-4030 8-5 pm

Hardware Specialties 424 West 54th Ave Anchorage, AK 99518 907-563-1312 8:00am - 4:30pm Mon - Friday

ARIZONA

DoAll Phoenix 2817 N. 37th Avenue Phoenix, AZ 85009 602-269-7231

Power Tool Service Center 660 E. 19th St. Tucson, AZ 85719 520-884-8974 7:30-5 M-F

Western Tool Inc 702 S Campbell Ave Tucson, AZ 85719 (520) 884-0504 8-5 M-F

CALIFORNIA

A. B. G. Service Corporation 150 Mindanao St Bloomington, CA 92316 714-873-3870

AAA Hydraulics 511A Harbor Blvd West Sacramento, CA 95691 (916) 617-2656 8:00 - 5:00 M-F

Bay Saw & Tool Repair 498 E. 10th St. Pittsburg, CA 94565 925-671-8041 8-5 M-F 11-3 Sat.

Breezer Equipment & Supply 1566 Sterling Ct Escondido, CA 92029 760-739-0888 7-4pm

Breezer Equipment & Supply 2990 La Jolla St Anaheim, CA 92806 714-239-6101 7-4 pm

C. H. Bull Co. 233 Utah Avenue South San Francisco, CA 94080 650-871-8440 8-5 M-F

Chuck & Sons Hydraulics 16558 Boyle Ave. Fontana, CA 92335 714-350-4197

D. G. Engineering 5825 Republic St. Riverside, CA 92504 714-557-2701 7-3:30 M-F

Electric Tool Repair 437 Henderson St. Eureka, CA 95501 707-442-4267

Engine Accessory Repairs 2039 Broadway Eureka, CA 95501 707-443-8639 8-5 m-f

Field Machining 8175 Cross Fire Road Sommerset, CA 95684 209-245-6003

Hogan Hydraulics 8059-A Wing Ave Santee, CA 92020 (619) 562-0497 8-5 M-F

Hy-Lift 7115 Arlington Ave., Suite G & H Riverside, CA 92503 (951) 688-6404

Hydraulic Specialists 1503 B North Magnolia Avenue El Cajon, CA 92020 619-579-0175 5-Aug

Jack-X- Chance 1609 N. Orangethorpe Way Anaheim, CA 92801 714-871-4966 (800) 588-6657

Kimmerle Brothers, Inc. 12060 Florence Ave. Santa Fe Springs, CA 90670 562-946-6771 8-4-30

KMI Service Center, Inc. 4362E La Palma Ave Anaheim, CA 92807 (714) 528-9119 7:00pm - 3:00am

L & G Specialties, Inc. 524 Houston Street West Sacramento, CA 95691 916-371-0958 800-372-0958 7:30-4

Manufacturers Outlet 935 American Street San Carlos, CA 94070 415-593-3121

Roll Rite Corporation 26265 Research Rd. Hayward, CA 94545 510-293-1444

S&S Tool and Supply 1915 Shell Ave Martinez, CA 94553 (925) 313-0360 M-F 7-430

Sawtelle & Rosprim Indus. 1161 North Avenue Corcoran, CA 93212 209-992-2128

Syphax Engineering 8525 Yarrow Lane Riverside, CA 92508 951-656-6104 on call

Thomas Hyd. & Hardware Supply 1308 West 8th Avenue Chico, CA 95926 916-345-7171

TMC Industrial Power Tool 4950 Fulton Dr., Ste. D-1 Cordelia, CA 94585 707-864-1780 8-5 M-Th 8-2 Th-S

Voegtly & White Inc. 156 Agnes Way Pleasant Hill, CA 94523 510-569-2700 8-5 M-F

COLORADO

Colorado Clarklift 4105 Globeville Rd. Denver, CO 80216 303-292-5438

H & H Hydraulics, Inc. 912 19 1/2 Road Route 2 Fruita, CO 81521 970-858-7442 800-258-7442 8-5 m-f

Hydraulic Broker Service 980 South Gun Club Rd Aurora, CO 80018 303-366-2275 8-5 M-F

Hydraulic Energy Products 6800 Stapleton Dr. S. Denver, CO 80216 303-333-7442 800-800-3471

Industrial Hyd. Repair & Supply 3315 A Chelton Loop N. Colorado Springs, CO 80909 719-591-7500 7:30-5 M-F

Ken Hydraulic, Inc. 5360 Dahlia Commerce City, CO 80022 303-288-2710 800-905-2710

Master Mechanix Inc. 14826 E. 26th Way Aurora, CO 80011 (303) 358-5145 6-Sep

Metro Pal-Lift, Inc. 759 Federal Blvd. Denver, CO 80204 303-893-2448 4-Jul

Perfection Tool & Repair Inc 16200 So Golden Rd Golden, CO 80401 (303) 279-0133 7:30am - 5:00pm

R & R Tool Service Inc. 5956 Sheridan Blvd. Arvada, CO 80003 303-430-8818 888-450-8827 8-5 M-F

Wagner Rents 214 E. Ilex Pueblo Denver, CO 81003 719-544-0088 800-736-8228 7-5 M-F

CONNECTICUT

C & C Hydraulics Inc. 116 Wolcott Road Terryville, CT 06786 203-753-6430 800-322-2925 7-4:30 M-F 8-12 Sat.

K & D Machine Services 197 Pratt St Meriden, CT 06450 203-238-4714

FLORIDA

A & W Maintenance 9507 Highway 92 East Tampa, FL 33610 813-620-3393 7-5 M-F

Air Hydraulic Electric Service 515 22 Street South St. Petersburg, FL 33712 727-526-4513 7-5:30 M-F Sat. 8-3pm

Ann Industrial Supply 4210 Hwy Ave. Jacksonville, FL 32254 (904) 389-8115 7-5 pm

Central Florida Hydraulics 333 South Norton Ave. Orlando, FL 32805 407-422-4826 7-4 M-F

Dudley Outlook Equipment 1625 Airport Road Panama City, FL 32405 850-785-5525 8 AM - 5 PM

Gator Repair (A. A. Casey) 5124 Nebraska Ave Tampa, FL 33603 813-234-8831 7:30-4:30

Hy-Jax Hwy 71 N. Blountstown, FL 32424 904-674-5737

J. R. Jack Repair 4513 Clements Road Lakeland, FL 33813 813-646-8087

Jim & Slim Tool Supply 13065 S. Belcher Rd. Largo, FL 33773 (727) 535-3363 800-282-1024Miami

Jack Service, Inc. 1011 E. Hialeah Dr. Hialeah, FL 33010 305-883-6739 8-4:30

P & H Hydraulic Service, Inc. 6530 Trixy St. Jacksonville, FL 32219 904-781-3558 8-5 M-F

Power Tool Repair Co., Inc. 4750 Bayline Dr. Fort Myers, FL 33917 (239) 995-8805 8-5:30 M-F

Stirling Jack Service 2410 S. W. 56th Ave. Hollywood, FL 33023 954-987-6910 8-5 M-F

Tri-City Hydraulic Jack Serv. 4628 N. Florida Ave. Tampa, FL 33603 813-232-1280 9-5 M-F

United Tool Corp. 501 East 9th St. Hialeah, FL 33010 305-884-3068

Value Tool Repair 4345 Okeechobee Blvd. F-2 West Palm Beach, FL 33409 561-615-9699

West Coast Saw Inc. 2825 Davis Blvd. Naples, FL 33942 (239) 774-2525

GEORGIA

A.T.I Sales Co Inc 18 Valley Road Byron, GA 31008 (478) 956-3860 6-4 M-

B&S Enterprises LLC South City Too 5442 Frontage Rd Forest Park, GA 30297 (404) 608-9999

Bob Hydraulics 8 Brown Fox Dr. Rome, GA 30165 (706) 234-4471 8-5 pm

Cooper Company 403 Lipsey Drive Albany, GA 31701 912-436-1966

Eddie Rents, Inc. 95 Three Rivers Dr Rome, GA 30165 706-291-0222 7:30-5:30 ET M-F Sat.8-1

Engineered Services 4432 Pecan Ln. Acworth, GA 30102 770-445-9148

Eubanks Air Tool and Hyd. Rep. 4120 Reeves Road S.E. Dearing, GA 30808 706-556-9927 800-410-2624 8-4:30

Hae Repair 3098 Hickory Road North Valdosta, GA 31606 (229) 244-014

Haga Woodworking Machinery 816-B Pickens Industrial Dr. Marietta, GA 30062 (770) 528-0254 8-5 pm

Industrial Design Systems, Inc 2709 Syluester Rd Albany, GA 31705 (229) 438-9040 (800) 895-8399 9-5 M-F

Machinery Masters 2891 Brook Cliff Cr. Marietta, GA 30062 770-719-9371

Payne Hydraulic Jack Repair
4830 Prather
Brigde Rd
Toccoa, GA 30577
706-886-2972
8-6 M-F

Pemberton Industrial Maintenance
8032 Ga Hwy 85
Waverly Hall, GA
31831 706-582-3142
8-5 M-F

Trident Equipment Services Inc
526 Kenneth Gay Dr.
Ringsland, GA 31548
912-882-3664

Turner and Cole, Inc.
219 S. 6th St
Griffin, GA 30224
770-227-0046
8-4 M-F

HAWAII

Air & Hydraulic
842 Ilaniwai St.
Honolulu, HI 96813
808-536-5291

Automotive Supply Center Ltd.
411 E. Kawili St.
Hilo, HI 96720
808-935-3767
8-5:30 M-F 8-3 Sat.

Hydra-Air Pacific, Inc.
3169 Koapaka Street
Honolulu, HI 96819
808-834-7656
7:30-4

Machine Tools Hawaii, Inc.
845 Mapunapuna Street
Honolulu, HI 96819
808-833-2777

Tool Master Hawaii Inc.
3061 Aukele Lihue,
Kauai, HI 96766
808-246-1122
888-246-8665
M-F 7-4:30 Sat. 7-12

IDAHO

Abbott
Hydraulic & Air
250 North second
West Rigby,
ID 83442
(208) 745-1129
800-890-5485

All-State Distributing & Manuf
614 West Hwy 39
Blackfoot, ID 83221
208-684-9362
9-6 M-F 9-2 SAT.

Alltrades Northwest
195 S. Adkins St 104
Meridian, ID 83642
(208) 855-2555

L. L. Landon INC
223 South Broadway
BUHL, ID 83316
208-543-5698
8-5 M-F 8-12 Sat.

Twilann
Hydraulics Rso
105 W 33rd Boise, ID
83714
(208) 344-4534
8am to 5pm M-F

Walking Five Repair
1615 Division Boise,
ID 83706
208-336-5913

ILLINOIS

Bemis Hydraulic Equip. Co.
817 NE Adams
Peoria, IL 61603
309-685-3011 8-4:30
M-F 8-12 Sat.

Bud & Ray Repair
701 N. 5th St.
Quincy, IL 62301
217-223-2955
8-5 Mon - Friday

C & H Repair & Supply
2313-15 S.W. Adams
Peoria, IL 61602
309-676-3333

Central Illinois Mach & Tool
RR 1 Box 52
Benson, IL 61516
309-394-2504
8-5 M-F

Die / Pro 4041 West
Albany Street
Mchenry, IL 60050
815-344-4027

DNB Hoist & Crane Inc.
5821 N W Irving
Park. Rd.
Chicago, IL 60634
(773) 545-6353
8am - 4:30pm

Hydraulic Specialty, Inc.
1300 West Elm St.
West Frankfort,
IL 62896
618-937-4099
7-3 Tues-Fri. 7-12 Sat.

J-R Hydraulic Service Inc.
3616 S. Archer
Chicago, IL 60609
773-247-6107

JLS Machine Tool, Inc.
7344 Forest Hills Rd.
Loves Park, IL 61111
815-282-2716

Lar Kit Lift Trucks
625 Winthrop
Addison, IL 60101
(630) 628-0912
8-4:30 PM

Quality Tool & Equipment Repair
13180 Meadow Lane
Bunker Hill, IL 62014
(618) 585-6559
7:30am-5pm M-F

Samuelson Industrial Repair Service
236 Locust Str
Minonk, IL 61760
(309) 432-3522

Uniwest Enterprises, Inc
2136 12th St
Suite 109
Rockford / Gilberts,
IL 61104
(815) 963-3331
8am - 5pm

INDIANA

A & B Hydraulics
220 N. Davidson
Indianapolis, IN 46202
317-636-2417
800-493-7252

B & W Repair Service, Inc.
213 North Main
Street Dale, IN 47523
812-937-2576
12-5 M-F 8-12 Sat.

Complete Hydraulic Service & Sales
130 Commerce
Park Dr.
Franklin, IN 46131
317-736-5094
888-736-5094
M-F 8am to 5pm

Hessville Cable & Sling
1601 Cline Ave.
Gary, IN 46406
219-944-7200
800-779-8466

Hood Hydraulic & Air Tool Svc.
8985 N. Country Rd.
200 W Brazil, IN 47834
812-442-5575

Indust. Tools Sales/Serv.
712 West 6th Street
Jasper, IN 47546
812-482-7895

Industrial Pneumatics, Inc.
5415 West 5th Avenue
Gary, IN 46406
219-949-1417

Kam Hydraulics
2160 Fletcher Ave
Indianapolis,
IN 46203-1406
317-632-8130
800-359-6514
8:30-5

Mill Supplies 5105
Industrial at Ley Rd
Fort Wayne, IN 46801
(260) 484-8566
8-5 M-F

Miller Industries Inc.
3337 W. 10th St.
Indianapolis, IN 46222
317-972-7300
8-5 M-F

Pro-Spec. Inc.
529S 700E Angola, IN
46703
(260) 624-3400
8-5 m-f 8-12 Sat.

Quality Machine Repair & Engineering
4032 Southeastern Ave
Indianapolis, IN 46203
(317) 375-1366

Sceptre Mechanical Inc
93 E County Rd 200 N
Rockport, IN 47635
812-649-9820
7:00 AM

Scotty's Hydraulic Service
1200 Markly Dr.
Plymouth, IN 46563
574-935-5175

Trimble Machine Sales
33211 Smith Trail
Walkerton, IN 46574
219-586-7097
6:30-5:30 pm

Vincennes Industrial Supply
102 Executive Blvd.
Vincennes, IN 47591
812-882-5210
800-603-2091
7-5 M-F

IOWA

Brozene Hydraulic Service 1400
Mt. Pleasant St.
Burlington, IA 52601
319-752-4017
8-5 M-F

DoAll Iowa Co.
5101 B Tremont Ave.
Davenport, IA 52807
(563) 386-6086

Foreman Hydraulics Inc.
425 41st Ave. Dr. S.W.
Cedar Rapids, IA 52404
319-365-2581
800-362-4099

Rees Hydraulic Sales & Serv.
23623 Nelson Ave., RR
5 Fort Dodge, IA 50501
515-972-4774
8-5 M-F

Supplies Service Const. Ind.
3522 18th Ave. S.W.
Cedar Rapids,
IA 52406
319-396-1223
8-4:30 M-F

KANSAS

Acme Hydraulics, Inc.
815 Kansas Ave.
Kansas City, KS 66105
913-321-6385
8-4:30 M-F

DoAll- Wichta
2530 S Leonine
Wichita, KS
67217-1071
(800) 923-6255
800-923-6255
8:00 - 5:00 Mon/Friday

Mid Kansas Tool Works
314 W. Cloud St.
Salina, KS 67401
785-825-6287
8-6 M-F 8-5 Sat.

Overland Tool
7905 Nieman Rd.
Lenexa, KS 66214
913-599-4044
(888) 850-8665
7:30-5 M-F 9-12 Sat.

Repairman Jack
1325 W 29th St N
Wichita, KS 67204
(316) 832-1966
8:00 - 5:00

KENTUCKY

Air Equipment Sales & Service
109 Armco Blvd.
Ashland, KY 41101
606-329-9500
8-5 M-F

All-States Industrial Repair
782 E. Center St.
Madisonville,
KY 42431
270-821-6555

Neill LaVielle
1711 So. Floyd St.
Louisville, KY 40208
270-637-5401

Roman Repair Center
1521 Old Louisville Rd
Bowling Green,
KY 42101
(270) 746-0857
(800) 476-8157
8-5 M-F 9-1pm Sat.

LOUISIANA

A B C Caster Company Inc.
612 Peters Road
Harvey, LA 70059
504-366-6489
8-5 M-F

Acadiana Hydraulics Inc.
127 Thru Way Park
Broussard, LA 70518
318-837-1600
7-5 M-F

Arrow Equipment & Repair Inc.
309 Venture Blvd.
Houma, LA 70360
985-851-7169
7-5PM

B & H Air Tools, Inc.
6938 Exchequer Dr
Baton Rouge, LA 70809
225-752-4884
800-264-0815

Beerman Precision, Inc
4206 Howard Ave
New Orleans, LA 70125
504-207-6000

Benoit Repair Service
213 Fannie Street
Houma, LA 70360
(985) 851-1829

Cross Country Contractors Inc.
2208 Flanacher Road
Zachary, LA 70791
504-383-5475

Diamond Sales & Service Inc.
5045 Ehret Road
Marrero, LA 70072
504-348-0219
7-5 M-F

Eagle Service Company, Inc.
2224 Lee Street
Alexandria, LA 71301
318-445-6140

Iberia Rental Ser.
1014 Center St.
New Iberia, LA 70560
(337) 367-3231

Industrial Welding Supply
1452 Fourth St Harvey,
LA 70058
504-362-9395
7:30-5

La-Tex Rubber & Specialties
828 4th Avenue
Lake Charles,
LA 70602
(337) 436-0955
800-264-4043
7-5 M-F

Mac Power Tool Repair
5035 Flourney
Lucas Road
Shreveport, LA 71129
318-688-7474

McClamroch Machinery Co., Inc.
939 Louisiana Ave.
Shreveport, LA 71101
318-222-9249
800-333-2853
7:30-5 M-F

New Orleans Steel & Equip. Co.
11658 Chef
Menteur Hwy.
Nora, LA 70129
504-246-7292

Quality Tool Repair & Service
2900 Lausat St.
Metairie, LA 70001
504-341-0435

Race Equipment Repair, Inc.
1032 Front Street
Morgan City, LA 70381
504-385-5198
8-5 M-F

Roughneck Tool and Equipment
9886 Battle Rd.
Ethel, LA 70730
504-683-4348

Royal Hydraulics
103 Old Hwy 15 West
Monroe, LA 71291
318-396-3374

Shannon Hardware
606 Front St.
Morgan City, LA 70380
504-385-2700
7-5 M-F

Southern Saw & Cutter Inc.
5808 Plauche St.
Harahan, LA 70123
504-738-6063
(800) 229-6063
8-430 M-F

Tool Sales & Rentals, Inc.
11134 Cedar Park Avenue
Baton Rouge, LA 70895
504-292-4000

Tool Town, LLC
504 N 7th Str West
Monroe, LA 71291
318-329-2929
8-6 M-F

Tool Works, Inc.
101 NOLAN RD.
Broussard, LA 70518
318-837-9757

MAINE

B & M Hydraulic
576 Main St.
Madawaska, ME 04756
207-728-6713
877-381-6424
8 AM - 5 PM

Bath Ind. Sales DBA H.G. Corp.
56 New Meadows Road
West Bath, ME 04530
207-443-9754
7:30-4 M-F 8-12 Sat.

Ben Alpren Company, Inc.
555 Lincoln Street
Lewiston, ME 04240
207-783-2811
8-4:30 M-F

Cormier Equipment Corp.
1008 Kennedy Memorial Dr.
Oakland, ME 04963
207-465-2351

Northeast Hydraulics Inc.
63 Route 1
By-Pass Kittery, ME 03904
207-439-0652
800-342-0550
7:30-4:30 M-F

Tool Mender
1195 Main St.
Poland, ME 04274
207-212-4707
8-5 M-F

MARYLAND

Advanced Tool & Machine Serv.
8907 Garland Ave
Silver Springs, MD 20901
(301) 563-6601
(866) 999-8670
T-TH 8-5 Sat. 9-1 pm

B & W Equipment and Supply
11010 Guilford Road
Annapolis Junction, MD 20701
301-953-3383

Crane Operational Service
9303 Philadelphia Rd.
Baltimore, MD 21237
410-780-0092
7 AM - 4 PM

Hydraulic Service Inc.
3304 Barclay St.
Baltimore, MD 21218
410-467-9459

Maryland Industrial Trucks, Inc.
1330 West Nursery Rd.
Linthicum, MD 21090
410-636-1255

Norman Machine Tool Ltd.
1311 S. Ponca St.
Baltimore, MD 21224
410-633-2300
800-394-6399

TOOL SOLUTIONS LLC
11822 Pika Drive
Waldorf, MD 20602
301-396-3989

W. H. Bissell Co
3420 Edwards Lane
Middle River, MD 21220
(410) 335-2311
8:00am - 6:00pm

MASSACHUSETTS

Block Hydraulic, Inc.
251 Taylor St.
Springfield, MA 01101
413-734-3492
8-5 M-F

Boston Hydraulic Sales & Serv.
52 Amory St.
Boston, MA 02119
617-427-2200
800-715-2200
8-4:30

Hooker Handling Systems, Inc.
4 Line St. S. Hampton/
Holyoke, MA 01073
(413) 534-1304
(800) 247-1717
M-F 8-5

Ingersoll-Rand Tool Sales
50 School Str
Walpole, MA 02081
508-668-6642
8 AM - 5 PM

Marean-Taylor, Inc. 41
Brigham St., Unit 13
Marlborough, MA 01752
508-480-0400

Mass. Hydraulic Sales & Svc.
31 Devon Rd., Unit 13
Marlborough, MA 01752
781-771-8858

Panda Electrical Service, Inc.
165 Main Street
Everett, MA 02149
617-389-1442
8-5 M-F

South Shore Jack & Hydraulic
251 Crescent St.
Brockton, MA 02402
508-588-0424
8:30-5 M-F

MICHIGAN

ABC Ace Hardware & Home Ctr.
1201 N. Bagley
Alpena, MI 49707
(989) 358-7378
7:30-8

Cadillac Industrial Supply
1104 West 13th St.
Cadillac, MI 49601
231-779-8675
(800) 748-0516

Christensen Mach. & Supply Co.
1101 56th Avenue
Menominee, MI 49858
906-863-5541
7-4:30 M-F

Grand Haven Air Tool Co
6347 Norton Center Dr
Muskegon, MI 49441
231-798-1473

Industrial Distribution Group.
1021 Pyle Dr.
Kingsford, MI 49802
906-774-3991
8-4 M-F

Lift-Tech, Inc.
22597 Almy Rd.
Howard City, MI 49329
231-937-9161
7-4 Emer. Serv. 24/7

Moore & Carter Lumber & Rental
5220 East Peak Rd.
Croswell, MI 48422
810-679-3494
800-452-4065
7:00-5:00

Palmer Equipment Inc.
6677 Telegraph Rd
Detroit, MI 48211
313-921-6020
800-877-3057
7-4:30 M-F

R & J Machine Repair LLC
7777 Collingwood Dr.
Brighton, MI 48114
(810) 599-9779

Superior Detroit Sales, Inc
23730 Research Dr
Farmington Hills, MI 48335
(248) 442-9200
(800) 923-8555

The Beaversmith Tool Co.
7199 W. Grand River
Brighton, MI 48114
810-220-3300
York Electric Inc.
611 Andre Bay City, MI 48706
517-684-7460

MINNESOTA

C + A Machining
114 19 N. ST New
Ulm, MN 56073
507-354-2048

G C Peterson Machy. Co. Inc.
3815 East Lake St.
Minneapolis, MN 55406
612-721-6661
(800) 678-6062
Gene Service
7233 Vincent Avenue
South Minneapolis, MN 55423
612-866-5771

Harris Machinery Co.
501 30th Ave. S.E.
Minneapolis, MN 55414
612-331-1829
800-397-5026
8:30-5

Herc-U-Lift, Inc.
565 Hwy 12 West
Maple Plain, MN 55359
612-479-2501
800-362-3500

M & R Service
1935 W. Wayzata Blvd.
Long Lake, MN 55356
(612) 449-9200
8-5 pm M-F

Tool Warehouse
3410 E 42nd St
Waite Park, MN 56387
320-253-7150 8:30-6
M-Thurs. Fri. 8:30-1

Tool Warehouse Inc.
3410 E. 42nd St.
Minneapolis, MN 55406
612-722-4260
8-5 M-F

Total Tool Supply, Inc.
315 N. Pierce St.
St. Paul, MN 55104
651-646-4055
800-444-4899
7-5 M-F

Trading Post
80860 110th St.
Glenville, MN 56036
507-448-3302
(877) 888-7628
8-6 M-F 8-3 Sat.

MISSOURI

Beckon Inc.
455 E. Clinton St.
Louis, MO 63122
314-892-6237

Dean Marr Repair
26479 Lake Front Lane
Rocky Mount, MO 65072
573-392-1117

DoAll Mountain States Co.
1558 N. Topping St.
Kansas City, MO 64120
816-231-0200
800-477-1670
7-5 M-F

Heath Sales and Service
518 East 16th Street
Kansas City, MO 64108
816-421-3330
800-421-3339
7:30-5

Tool Service Center
2431 Raymond Drive
St. Charles, MO 63301
636-940-2525
7:30-5 M-F

Voris Hydraulics
312 North Delaware
Springfield, MO 65802
417-869-7933
8-5 M-F

Warehouse One
7800 E. 12th
Kansas City, MO 64126
816-483-6999

MISSISSIPPI

Banks Tool & Supply Company
3308 Old Mobile Hwy.
Pascagoula, MS 39581
228-762-4443

Collum Supply Company, Inc.
1493 Thornton Street
Greenville, MS 38701
662-332-3654

Jackson Air & Hydraulic
749 Hwy 49 South
Jackson, MS 39218
601-939-3471
800-305-8393

Mac Air Tool Repair
429 Garden Grove St
Vicksburg, MS 39180
(601) 415-6856
8:00 -5:00 m-f

USA Tool & Hydraulics
211-A Hwy 80 East
Jackson, MS 39208
601-939-8665
800-473-8665
8-5 M-F

MONTANA

Auck Hydraulic Repair
2920 Billings Ave.
Helena, MT 59601
406-443-7540

Hellgate Tool Repair
2006 North Ave. West
Missoula, MT 59801
406-549-3067
5-Aug

Industrial Tool & Repair
4025 1St. Ave. S.
Billings, MT 59101
406-252-8114
800-823-8665

NEBRASKA

Flohr Electric Service Inc.
4356 So. 90th St.
Omaha, NE 68127
402-331-6863

NEW HAMPSHIRE

Brentwood Machines Sales, Inc.
313 State Rte. 125
Brentwood, NH 03833
603-679-8452
800-582-7229
7:30-5 M-F 8-1 Sat.

NEW JERSEY

Advantage Rental & Sales
100 Route 50
Seaville, NJ 08230
609-390-2345
8-5 M-F

Butensky Services Company
171 Industrial Parkway
Sommerville, NJ 08876
908-707-0912

Certified Products
400 West Side Ave.
Jersey City, NJ 07305
201-433-0013

Fabulous Tool Repair
25 Manchester Ave
Paterson, NJ 07502
973-389-9870
M-F 8-6pm Sat. 9-5pm

Garage Equipment Sales & Serv.
226 Chestnut
Glendora, NJ 08029
856-312-1200
800-853-6274
8-4:30

Metro- Hydraulic Jack Co
1271 McCarter Hwy
Newark, NJ 07104
973-350-0111
8:30-4:30

Moye Handling Systems
39 Route 206
Somerville, NJ 08876
908-526-5010
7:30-5

Sissco/Permadur Indust., Inc.
186 Route 206
South Somerville/
Hillsborough, NJ 08844
908-359-9767
(800) 392-0146
7-5 M-F

NEW MEXICO

FMH Albuquerque
2108 Candelara
Albuquerque, NM 87107
505-884-2700

Frank Supply Co., Inc.
3311 Stanford Dr. N.E.
Albuquerque, NM 87107
505-884-0000
800-432-5254

TJ Hardware
3111 Amherst Dr. NE
Albuquerque, NM
87107
(505) 881-4325
(800) 462-4266
7:30-5pm

NEW YORK

A&T Power Tools
And Equipment
515 East Jericho
Turnpike Huntington
Station, NY 11746
(631) 271-2141
9am - 5pm M-F

Ace Hydraulic &
Pneumatic
6720 VIP Parkway
Syracuse, NY 13211
315-454-8989
7:30-4:30 M-F

Beaton Industrial Inc.
6083 Trenton Rd.
Utica, NY 13502
315-797-9346
800-724-4052
7-5 M-F

Deer Park
Hydraulics, Inc.
12 Evergreen Place
Deer Park, NY 11729
631-242-6266
8-5 M-F

Durante Equipment
133-58 31ST DR.
Flushing, NY 11354
718-359-3682
6-6PM

J & A Repair Shop
6206 20th Ave.
Brooklyn, NY 11204
718-232-5746

Loveland Industrial
Machine Repair
231 Shanty Creek Rd.
Central Square,
NY 13103
315-668-2355
7-6 M-F 7-6 Sat.

Macro Tool &
Machine
1397 RT 55
Lagrangeville, NY
12540
(845) 223-3824
7-530 M-F

Midstate Ind
Supply Inc.
1811 Lemoyne Ave
Syracuse, NY 13208
315-455-5903
8-5 M-F

Pelham Tool Inc.
21 Abendroth Ave.
Portchester, NY 10573
914-937-1771
7:30-5 M-F

Specialty Tools Inc
3861 Buffalo Rd
Rochester, NY 14624
(585) 594-1110
7-6 M-F

W. B. Equipment
Service Co.
70 Lyons Place Mt.
Vernon, NY 10553
914-668-9750
8-4 M-F

Wallace Supply
1434 Rte 9
Ft Edwards, NY 12828
518-793-5131
(800) 282-0463
7-5 M-F

NORTH CAROLINA

Central Welding &
Indust. Sply
1510 Hawkins Avenue
Sanford, NC 27330
919-776-0649
7:30-5:30

Clark Hydraulic
Service
40 Old Elk Mountain
Road Asheville,
NC 28804
828-258-1077

Dillon Supply
Company
216 S. West Street
Raleigh, NC 27602
919-838-4390
800-662-7304
8-4:30

Hydraulic Service Co.
115 Riverside Dr.
Asheville, NC 28801
828-258-8070

L G Enterprise &
Service, Inc
1424 Union Rd.
Gastonia, NC 28054
704-853-1318 on call

Production Tool
Supply
6136 Prospect St.
Archdale, NC 27263
336-885-4219
8-5 M-F

Tool & Equipment
Supply, Inc.
807 Huffman St.
Greensboro, NC 27405
336-275-6124
800-477-8871
8-5 M-F

Woodworking
Machinery Service
28 Greenlea Circle
Taylorsville, NC 28681
828-495-7131

NORTH DAKOTA

Acme Tool Crib
920 36TH ST SW
 Fargo, ND 58103
(701) 476-4600
7-5:30 M-F 8-2 Sat.

Air Tool Service
& Supply
127 West Main West
 Fargo, ND 58078
(701)-282-6151

Energy Systems
Indus. Supply
2267 Sims St.
 Dickinson, ND 58601
701-227-4447
(800) 728-4447
7:30-5

Jim Sharpening
& Hydraulic
2009 South 20th Street
 Grand Forks,
 ND 58201
701-772-5105

Praxair
2816 South Bdwy
Minot, ND 58702
701-852-3596
800-247-0815
8-5 M-F

OHIO

A & A Hydraulic
Repair Co.
5301 W 161 St
Cleveland, OH 44142
(216) 362-4000
(800) 992-9898
8-5 M-F

A & D Tool Repair Inc
1610 Springfield St
Dayton, OH 45403
937-256-3200
7-5 M-F

Advanced Technology
Utilization
12005 Prospect Rd
Strongsville, OH 44149
(440) 238-3770
8:00 - 5:00 M-F

De Witt Tool Repair
& Fasteners
107 Center St. Tremont
City, OH 45372
937-605-1624
M-F 12-5pm-
Field 7-11am

Dolle Mobile
Pneumatic Tool
2747 Camino Pl. E.
Kettering, OH 45420
937-572-3499

Eastern Hills
Hydraulics 244 Robb
Cincinnati, OH 45226
513-321-5600

J-M Machine
Rebuilding
716 E. 29th
Lorain, OH 44055
440-244-2973

J.M.R.R. Company
30185 Overlook Dr.
Wickliffe, OH 44092
440-585-3573

L & R Machine
Tool Service
450 Quarry Road
Lancaster, OH 43130
740-687-1640
8-4 M-F

Lampe Tool Company
11 S. Limestone Street
Jamestown, OH 45335
937-675-9341
800-637-4999
8-4:30 M-F

Lee Hydraulic &
Pneumatic
2480 St. Johns Road
Lima, OH 45804
419-229-0183
8-5 M-F 8-12 Sat.

Morsco Inc.
5609 Vine Str
Cincinnati, OH 45217
513-242-7179
7-3:30

OME In
8309 E Washington
Chagrin Falls,
OH 44023
(440) 543-8474
8:00 - 5:00 M-F

Performance
Tool Group
5909 Stewart Rd.
Cincinnati, OH 45227
(513) 561-8300
M-F 7:30-5:30 Sat. 8-4

Power Tool Sales
& Service
6713 Angola Road
Holland, OH 43528
419-868-8665
7:30-5 M-F 9-1 Sat.

Precision Pneumatics
6625 Middle Run Rd.
N.W. Dover, OH 44622
330-343-7984
7-5 M-F 9-12 Sat.

Tool House Inc
11909 Tramway Dr
Sharonville, OH 45241
(513) 821-3000
(888) 513-4744
7am - 8pm

Waeco
Service Inc. 18838
Diagonal Rd
Lagrange, OH 44050
(440) 355-8011
800-969-2326
7:30-4:30 M-F

OKLAHOMA

Capitol Lift
Truck, Inc.
2421 S. W. 14th
Oklahoma City,
OK 73108
405-232-0661
800-328-5592
8-4:30 M-F

Kinnunen Sales
707 East 6th St
Stillwater, OK 74074
405-743-4400
888-595-4411
7:30-5:30

Practical Sales
& Service
4611 S. Elwood Tulsa,
OK 74107
(918) 446-5515
8-5pm M-F

OREGON

Air Tool Maintenance
& Repair
420 River Road
Eugene, OR 97404
541-461-1714
800-864-1714

Contractors Quarry
Supply, Inc
1492 Burlcrest Dr.
Medford, OR 97504
541-772-6477

Crown Tool &
Supply Inc.
8680 SW Tualatin
Sherwood Rd.
Tualatin, OR 97062
503-885-0200
8-6 M-F Sat.9-5

Dick Roundhouse
Machines
91824 Lewis &
Clark Rd
Astoria, OR 97103
503-325-5370 on call

F. E. Bennett Company
739 N.E. Broadway
Portland, OR 97232
503-288-2321
800-288-1789
8-5 M-F

Frank Hydraulic
Jack Repair
8135 River R d. N.
Keizer, OR 97303
503-390-6733

General Equipment
Company
950 South Central Ave.
Medford, OR 97501
541-779-6565
800-246-4496

Hall Tool
Company, Inc.
1724 South East
Grand Avenue
Portland, OR 97214
503-233-7634
800-452-7755

Harbor Jack Repair
15593 Cedar Lane
Brookings, OR 97415
503-469-3837

Karn Repair Service
1800 NW 169th Place
Suite D300
Beaverton, OR 97006
503-228-8313
7:30-4:30

Les Hydraulic Service
2550 W. 5th Ave.
Eugene, OR 97402
541-343-4041

Portland Jack Shop
11416 NE Halsey
Portland, OR 97220
503-252-2104
8-5 M-F

Precision Hydraulics
2715 N.W. St.
Helens Rd.
Portland, OR 97210
503-228-7133
8-5 M-F

Redmond Tool
and Supply 1610
SW Veterans Way
Redmond, OR 97756
541-504-8283
7 AM-6 PM 8-5 Sat.

S & S Hydraulic Jack
Service
1012 S.W. A St.
Corvallis, OR 97333
503-752-6732

The Tool Peddler
of Oregon
9907 S.E. 82nd Ave
Portland, OR 97266
503-777-8665
(800) 344-8469
8-5 Mon - Friday

PENNSYLVANIA

A-1 Tool
Maintenance, Inc.
700 Lebanon Rd. West
Mifflin, PA 15122
(412) 464-2666
8-4:30 M-F Sat.
request

Air Tool Maintenance
Co., Inc.
1201 Washington
Blvd.
Pittsburgh,
PA 15206
412-441-3114

Airmatic Inc.
7317 State Road
Philadelphia, PA 19136
215-333-5600
8-5 M-F

Blue Ball Machine
Works
4225 Division Hwy.
Blue Ball, PA 17506
717-354-4478
800-860-4470
7:30-5

Chujko Bros., Inc.
315 Broadway
McKees Rocks, PA
15136
412-331-8112
M-F 7:30-4:30pm Sat.
7:30-3pm

Diamond Tool
& Fasteners
2800 Grays Ferry Ave.
Philadelphia, PA 19146
215-952-1919
800-852-1919
7-5 M-F

Electric Motor
Service
3755 Railroad St
Finleyville, PA 15332
(724) 348-6858

Equipment
Professionals Inc.
124 East Susquehanna
St. Allentown,
PA 18103
610-791-1119

Farnham & Pfile
Rental & Sales
4306 State Route 51 S
Belle Vernon,
PA 15012
724-929-3181
800-814-1368
7-5:30

Fiduk Industrial Svc.
of PA
534 South 23rd Street
Harrisburg, PA 17104
717-561-0221
800-222-5516
8:00-4:30

General Tool &
Repair Inc.
2449 S. Queen St.
York, PA 17402
717-741-9592
877-487-8665

Hampton Hydraulics, Inc.
157 Railroad Industrial Park
Ivyland, PA 18974
215-364-3770
8-4:30

Humphrey Jack Service
2214 Huckleberry Rd.
Allentown, PA 18104
610-435-9287
8:00 - 4:30 M-F

Knickerbocker Russell Co Inc
4759 Campbells Run
Road Pittsburgh, PA 15205
412-494-9233
7:30 AM - 4:30 PM

Metaline Machine, Inc.
33 Allegheny Square
Glassport, PA 15045
(412) 672-4030
7-4pm EST

Midgely Steel Products
2210 Weccacoe Avenue Philadelphia, PA 19148
215-465-3149
8-4:30

Repair Unlimited Inc
1730 Rockwell Road
Abington, PA 19001
215-657-3335
800-369-5891
8:30-5

S & S Machine Co., Inc.
1230 Penn Ave.
Hollsapple, PA 15935
814-479-4071

Total Services & Systems Inc.
166 W. Union St.
Kingston, PA 18704
570-287-2121
9-5 M-F

Ultimate Tool Repair & Sales
3 Pine St
Pittston, PA 18640
(570) 654-1600
7-5pm M-F

Walts Hydraulics Jack Service
950 Marlborough Street
Philadelphia, PA 19125
215-634-0111
8:30-5 M-F

SOUTH CAROLINA

Baldwin Bros., Inc.
2132 Spruill Ave. N.
Charleston, SC 29405
843-744-6323
877-744-3950
8-5pm

Corey Machinery Repair
2081 Hayter St
Charleston, SC 29423
(843) 345-3020
M-F

E & L Rentals and Service
1300 East Liberty Street
Marion, SC 29571
843-423-5289
7-5 m-f

LMK Air & Hydraulic Service
4918 Dorchester Rd.
N. Charleston, SC 29418
843-767-1515

Machinery Maintenance & Rebuilders
711 W. Washington St.
Greenville, SC 29601
864-271-0559
7-4pm

Parrish Hydraulic and Jack Svc Rt. 1,
Box 100 (Hwy 170)
Hardeeville, SC 29927
843-784-6866

Rhino Equipment Inc.
3131 N. Industrial Dr.
Simpsonville, SC 29681
864-967-2554

Tri-County Tool Repair Center
1900A Discher St.
Charleston, SC 29405
843-554-9005
7:30-4:30 M-F

SOUTH DAKOTA

A-1 Forklift Main St c/o Sportsman Crockers,
SD 57217
605-784-3426
9-2 M-Sat.

Coon Machine Shop
1120 Rapid St.
Rapid City, SD 57701
605-342-0336
8-12 1-5 M-F
8-12 Sat.

Stan Houston Equipment Company
501 South Marion Road
Sioux Falls, SD 57106
605-336-3727
800-952-3033

TENNESSEE

Machine Tool Fitters
911 Davidson ST
Tullahoma, TN 37388
(931) 461-8974
7 - 3:30 M-F

Machine Tool Services
930 Griselda Drive
Maryville, TN 37801
865-982-9436

Power Tools, Inc.
1200 S. Bellevue
Memphis, TN 38106
901-774-1212
800-288-9909
7-5 M-F

Superior Forklift
1004 W. Main St.
Jonesborough, TN 37659
423-753-5217
8-5 M-F 24hr serv.
If needed

SYS-Tech, Inc 1481
Redwood Dr NE
Cleveland, TN 37312
(423) 472-6355

TEXAS

Ace Casters of Houston
1231 D North Post Oak Rd.
Houston, TX 77055
713-956-2306 M-F 8-5

Advantage Machine Sales
13421 Emu Lane
Justin, TX 76247
(940) 395-0715
(940) 395-0715
8:00 - 5:00 M-F

American Tool & Fastener
1331 E. Plano Parkway Suite B
Plano, TX 75074
(972) 801-9909
800-766-2279
7:30 AM - 6 PM

Associated Tool Specialties Co
3711 North Twin City Highway
Nederland, TX 77627
409-727-2166
800-521-4001

B & J Tool Repair Co
4422 Baldwin Blvd
Corpus Christi, TX 78408
361-883-2775
7:30-5

Dewalt Factory Repair Station
6822 Gateway East
El Paso, TX 79915
(915) 778-9769
7:30 am - 5:30pm

Discount Equipment
765 Pendale Road
El Paso, TX 79907
915-595-0322
8 AM - 5 PM

FMH Material Handling Solution
1054 Hawkins
El Paso, TX 79915
915-778-8368

Fore Services
6310 Alder
Houston, TX 77081
713-664-0974

French Service & Repair
408 South Texas
Weslaco, TX 78596
956-968-2651

H & H Tool Service Inc.
2307 McAllister Rd
Houston, TX 77092
713-682-8665

Hydraulic Equipment Svc. Co.
1021 North San Jacinto Street
Houston, TX 77002
(713) 228-9601

Jones Hydraulic Service, Inc.
5955 Armour Drive
Houston, TX 77020
713-674-9571
800-337-8875

Keith Kart Kleaning
5713 C R 1200
Lubbock, TX 79407
(806) 748-0904
(806) 777-0359
8-5pm M-F

LaPorte Tool Works, Inc.
312 S. 2nd
LaPorte, TX 77571
281-470-7389
8-5 M-F

Larry Tool Repair
2916 Dow Circle
Deer Park, TX 77536
281-479-4086
8-5 M-F

Lyons Machine Tool Repair
11390 Harvill Dr
Conroe, TX 77303
936-827-0318
7 am-5 pm

MTS Tool Service
1320 Hwy 3 S., Ste A
League City, TX 77573
281-332-1051
877-664-5200
8-5 M-F

Mueller Hydraulic Service
515 North Hackberry
San Antonio, TX 78202
210-224-5271

Neff Rental
1622 West 2nd
Odessa, TX 79763
915-333-3648

Otto Dukes Tools
2556 Agnes Corpus Christi, TX 78405
(361) 883-0921
(800) 673-8537
7-5 M-F

Painters Repair Service
320BS Chestnut
Lufkin, TX 75901
409-637-2728

Permian Tool Repair
803 W. 67th St.
Odessa, TX 79764
(915) 366-7911
8-12/1-5pm M-F

Power Tool Repair, Inc.
1403 Richmond Rd.
Texarkana, TX 75503
903-794-7366
888-424-8665
7-5 M-F

Sankey Equipment Co.
925 Ave. B
San Antonio, TX 78215
210-227-4178
8-5 Mon - Friday

SCOTT ALAD DUPUY
361 BCR 3645
Clifton, TX 76634
254-622-4058

Star Hydraulics & Tool Service
7012 Long Point
Houston, TX 77055
713-681-4105
800-925-7741
8-5 M-F

TESCO Equipment And Supply Co.
1024 Walnut Abilene, TX 79601
(325) 676-8241
8-5 M-F

Watex Linel Inc
530 W. Richey Rd
Houston, TX 77090
(281) 587-8141
7:30 - 5:00 M-F

Webb Saw & Tool Co. Inc.
120 S. Commerce
Harlingen, TX 78550
956-425-4331

Williams Hydraulics
905 East Main St.
League City, TX 77573
713-332-4247

UTAH

Clarklift Material Handling
2560 So. 3270 West
Salt Lake City, UT 84119
801-972-7011

Geneva Hydraulics
343 South Mountainway Drive
Orem, UT 84058
801-226-3911

Gustin Hydraulic Inc.
151 West Commonwealth Ave.
Salt Lake City, UT 84115
801-487-0624

Pratt Wagon Works
HC 74 Box 6410
Cove Fort, UT 84713
435-438-1024
8-6 M-F

VERMONT

Burlington Tool Repair
3 Kellogg Road
Essex Jct, VT 05452
802-872-0051
7:30-4:30 Mon/Friday

Reynolds & Son
47 Bridge St. So.
Barre, VT 05670
802-479-0101

Tool Warehouse Outlet Inc.
1519 U.S Rt
302-Berlin Barre, VT 05641
802-479-3363
800-462-7656
8:30-5:30 m-f

VIRGINIA

Hydraulic Service Company 3215
Victory Blvd.
Portsmouth, VA 23702
(757) 487-2513
800-537-9986
7:30-5

Phillips Tool Repair, Inc.
2026 Chamberlayne Ave.
Richmond, VA 23222
804-321-6007
8-5PM

Rays Repair Inc.
4806 Commerce Dr.
Newport News, VA 23607
757-247-3718

Virginia State Machine
4708 Monaco Dr.
Sandston, VA 23150
804-737-3047

WASHINGTON

C & H Industrial, Inc.
1160 3rd Avenue
Longview, WA 98632
360-423-6496
(877) 585-8376
8-5 M-F

Component Rebuild Service, Inc
12310 Hwy 99, #118
Everett, WA 98204
425-290-7397

Double J Tool Repair
2917-J NE 65th St.
Vancouver, WA 98663
360-750-8740

Industrial Machinery Co.
8221 308th Ave. S.E.
Preston, WA 98050
206-222-6055

Industrial Specialty Products
2511 Inter Ave
Puyallup, WA 98372
(253) 770-8771
888-854-5265

Jacks Inc. 24
South Idaho Street
Seattle, WA 98134
206-624-4730
800-732-4179
8-4:30

L & W Services
1090-A St. #55
Woodland, WA 98674
(360) 336-1529

Lad
Enterprises, Inc.
2128 Broadway
Everett, WA 98201
(425) 348-0348
8:30-5:30 M-F

McCallum Co 2701 NE
127th St. Seattle, WA
98125 206-281-0181

Northwest Pneumatic
217 Airport Way S.
Renton, WA 98055
425-271-7391

Tool Shop
1236 3rd Avenue
Longview, WA 98632
360-636-1570
8-5 M-F

Universal Repair
Shop, Inc.
1611 Boylston Ave.
Seattle, WA 98122
206-322-2726

Westcoast Tool
Supply 1610 S Gold
Centralia, WA 98531
(360) 736-3203
M-F-7am-6pm
sat-9-5 sun10-4

WEST VIRGINIA

Delta
Electric, Inc.
207 Riverview Ave.
Logan, WV 25601
304-752-4625 7:30-4:30
M-F

Gillette Repair Service
Route 8, Box 128-A
Fairmont,
WV 26554
304-366-3119

Larry Pneumatic
Service
100 Princeton Ave.
Bluefield, WV 24701
304-325-9262
7-5 M-F

WISCONSIN

AETNA Power
Tool Service
4622 - 68th Avenue
Kenosha, WI 53144
414-654-1170

Jensen Equipment
N27 W23015
Roundy Dr.
Pewaukee, WI 53072
262-547-5548

Mac Hydraulics, Inc.
2785 Manitowoc Rd.
Green Bay, WI 54311
920-465-1313
800-236-1507
8-5 M-F

Miller Industrial
Supply
303 Ross Avenue
Schofield, WI 54476
715-355-7999

Schleis Electric Inc.
615 So. 30th
Manitowoc, WI 54220
414-682-3878

West Shore Tool
Service LLC

100 Brazeau Ave
Oconto, WI 54153 (920)
835-8665 7:30am -M-F
Sat-11:00am

Woodworker
Depot Inc.
2965 Ramada Way
Green Bay, WI 54304
920-336-6900
(800) 891-9003
8-6 M-F 9-4 Sat.



COUNTDOWN

SWEEPSTAKES

WIN BIG!

WITH THE ULTIMATE YEAR-LONG GIVEAWAY!

Enter monthly for a chance to win our JET Tools Anniversary Sweepstakes and automatically be entered to win our year ending Ultimate Work Shop Grand Prize.

12 MONTHLY PRIZES!
NEW GIVEAWAYS EVERY MONTH!



+

1 HUGE GRAND PRIZE!
\$10,000 ULTIMATE WORKSHOP!



+

600 INSTANT PRIZES!
GREAT GIFTS JUST FOR ENTERING!



Sweepstakes ends December 31, 2008.

GO TO WWW.JETTOOLS.COM/GIVEAWAY



Stock No. 901240
40M 6/2008
©2008 WMH Tool Group, Inc. All Rights Reserved. Printed in the U.S.A.

WMH TOOL GROUP
Elgin, IL 60124 U.S.A.
888-804-7129