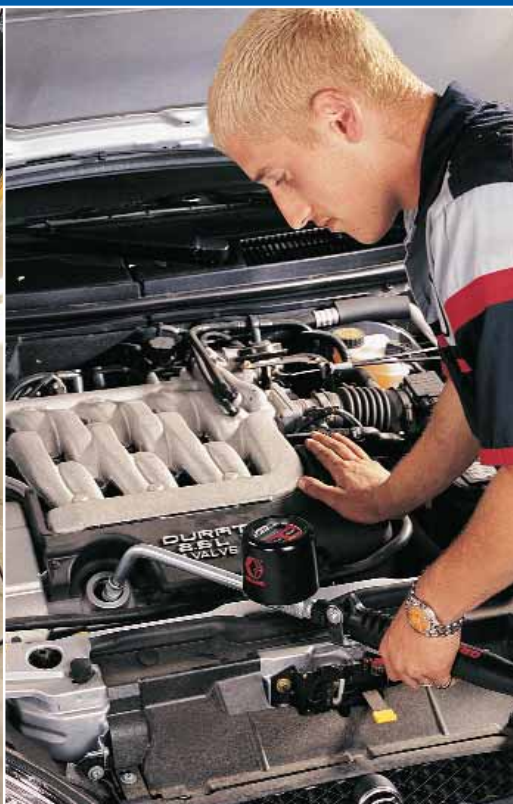
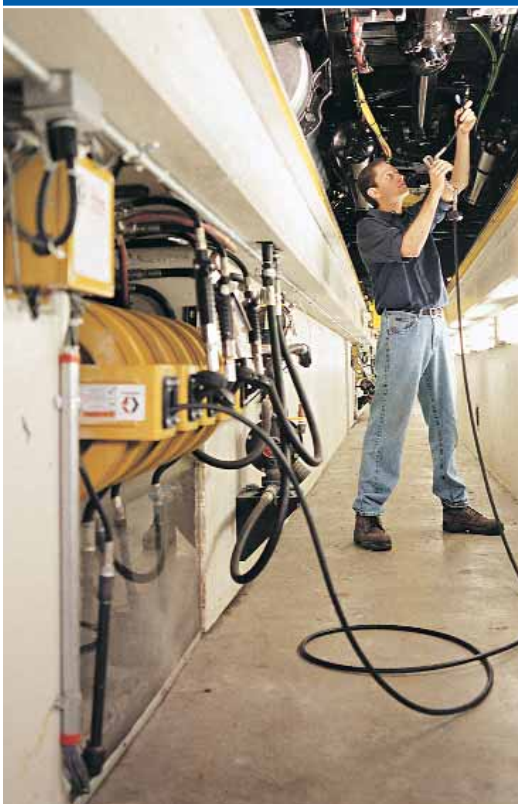




# Lubrication Equipment Buyer's Guide

Innovative Product Solutions for the Lubrication Marketplace



PROVEN QUALITY. LEADING TECHNOLOGY.

# The E-Z FAX Document Ordering System

---

Get the documents you need 24-hours-a-day!

**Simply Call 1-800-533-9655**

Press option **2<sup>ABC</sup>** to get into the E-Z FAX System.

Press **1** for the Literature Index or Press **2<sup>ABC</sup>** if you know the number of the service manual or literature document you need.

**The documents you request will be faxed directly to you!**

**Literature Index | Service Manuals | Literature**

Go online at [www.graco.com/lubrication](http://www.graco.com/lubrication) for:

- **Literature**
- **Instruction Manuals**
- **Buyer's Guide**
- **Product Knowledge Exchange**
- **Distributor Locator**
- **What's New**
- **GEDI<sup>®</sup>**

GEDI is the "Graco Extranet Distributor Information" area on our website where distributors have access to up-to-the-minute pricing, product order and shipping status and order entry. Information is accessed by an account number and a confidential password.

**To Find Your Nearest Authorized Graco Lubrication Equipment Distributor**

Call: **1-800-533-9655** (toll free North America)

Fax: **1-800-533-9656**

# Table of Contents

---

## **OIL PUMPS, AIR-OPERATED PISTON PUMPS AND PACKAGES** **SECTION 1**

Selection Guide .....	6-7
Fast-Ball® 1:1 .....	8-9
Mini Fire-Ball® 225 3:1 .....	10-11
Fire-Ball 300, 5:1 .....	12-13
Fire-Ball 425, 3:1 .....	14
Fire-Ball 425, 6:1 .....	15
Fire-Ball 425, 10:1 .....	16-17
Oil Accessories .....	18-23
<b>Quick Reference .....</b>	<b>.24-25</b>

## **GREASE PUMPS, AIR-OPERATED PISTON PUMPS AND PACKAGES** **SECTION 2**

Selection Guide .....	28
Mini Fire-Ball 225, 50:1 .....	29-31
Fire-Ball 300, 50:1 .....	32-35
Fire-Ball 425, 50:1 .....	36-37
Fire-Ball 425, 75:1 .....	38-39
Fire-Ball 300, 15:1 .....	40-41
Fire-Ball 425, 10:1 .....	42-43
Grease Accessories .....	44-47
<b>Quick Reference .....</b>	<b>48-49</b>

## **ELECTRICAL POWERED OIL & FUEL PUMPS** **SECTION 3**

APEX™ Electric Dispense Systems .....	52-54
Hurricane™ Electric Dispense Systems .....	55-56
Blue Devil™ Fuel Transfer Pumps .....	57-58

## **HYDRAULICALLY-POWERED OIL & GREASE PUMPS** **SECTION 4**

Dyna-Star®, Power-Star™ and Viscount® II Pumps .....	60-62
--	-------

# Table of Contents

## **TRANSFER PUMPS** **SECTION 5**

Fast-Flo® (Stainless Steel) .....	64-65
Air-Operated Double-Diaphragm .....	66-67

## **MANUALLY OPERATED OIL & GREASE PUMPS AND PACKAGES** **SECTION 6**

Oil and Grease .....	70-73
----------------------	-------

## **HOSE REELS** **SECTION 7**

Selection Guide .....	76
250 Series .....	77-78
350 Series .....	79-80
500 Series .....	81-82
700 Series .....	83-84
750 Series .....	85
Hose Reel Packages .....	86-87
Dispense Console .....	88-89

## **FLUID METERS AND VALVES** **SECTION 8**

Electronic Meters .....	92-100
Oil Valves .....	101-102
Mechanical Meters .....	103

## **MANUALLY OPERATED GUNS AND FITTINGS** **SECTION 9**

Grease Dispense Valves .....	106
Manual Guns .....	107
Manual Gun Accessories .....	108-112

## **FLUID MANAGEMENT SYSTEM** **SECTION 10**

Matrix™ System .....	114-119
Tank Level Monitoring System .....	120-122
Horizon™ .....	123-126
Fluid Commander™ .....	127-129

# Table of Contents

## **USED-OIL HANDLING PACKAGES** **SECTION 11**

Used-Oil Handling Packages and Accessories ..... 132-135

## **ACCESSORIES** **SECTION 12**

Airline Accessories ..... 138

Air and Water Accessories ..... 139

Hoses and Fittings ..... 140-143

## **PACKAGES** **SECTION 13**

Fire-Ball 300, 15:1 Packages ..... 146-148

Windshield Wash Packages ..... 149

Tank Packages ..... 150-151

Bulk Package Specifications for Oil ..... 152-153

Bulk Package Specifications for Grease ..... 154-155

High Volume Pumps ..... 156-157

Bulk Transfer Packages ..... 158-159

Lube Truck Packages ..... 160-161

## **AUTOMATIC LUBRICATION** **SECTION 14**

Automatic Lubrication ..... 164-165

## **SYSTEM DRAWINGS** **SECTION 15**

Installation and Piping Recommendations ..... 168-169

Designing A System ..... 170-171

Fast Oil Change ..... 172-173

Automotive Dealership ..... 174-175

Auto Service Shop ..... 176-177

Truck and Fleet Maintenance ..... 178-179

## **INDEX** **SECTION 16**

Index ..... 181-188

---

# Table of Contents Oil Pumps

---

1

<b>SELECTION GUIDE</b> .....	<b>6-7</b>
Fast-Ball 1:1 .....	8-9
Mini Fire-Ball 225 .....	10-11
Fire-Ball 300, 5:1 .....	12-13
Fire-Ball 425, 3:1 .....	14
Fire-Ball 425, 6:1 .....	15
Fire-Ball 425, 10:1 .....	16-17
Oil Accessories .....	18-23
Quick Reference .....	24-25
Notes .....	26

# Oil Pumps

## Quick Selection Guide

1

Pump	Fast-Ball 1:1	Mini Fire-Ball 225, 3:1	Fire-Ball 300, 5:1
Line Length‡	Up to 100 ft (30.5 m)	Up to 250 ft (76.2 m)	Up to 500 ft (152.5 m)
Dispense Points <i>(simultaneous)</i>	1*	1 to 2	1 to 3
Annual Usage	Up to 5,000 gal (19,000 l)	6,500 gal (24,602 l)	Up to 30,000 gal (114,000 l)
Typical Application	<ul style="list-style-type: none"> <li>• Service Shops</li> </ul>	<ul style="list-style-type: none"> <li>• Service Shops</li> <li>• Auto Dealers</li> </ul>	<ul style="list-style-type: none"> <li>• Service Shops</li> <li>• Construction   Eqipt. Maintenance</li> <li>• Service Shops</li> <li>• Fast Lubes</li> <li>• Fleet</li> </ul>
Reference Pages <i>for Pumps &amp; Packages</i>	8-9	10-11	12-13



‡ Consult your local authorized Graco representative for line or pipe sizing  
 \* Not recommended with hose reel

# Oil Pumps

## Quick Selection Guide

Pump	Fire-Ball 425, 3:1	Fire-Ball 425, 6:1	Fire-Ball 425, 10:1
Line Length‡	Up to 250 ft (76.2 m)	Up to 500 ft (152.5 m)	Up to 750 ft (22.8 m)
Dispense Points <i>(simultaneous)</i>	3 to 4	3 to 4	3 to 4
Annual Usage	Over 30,000 gal (114,000 l)	Over 30,000 gal (114,000 l)	Over 30,000 gal (114,000 l)
Typical Application	<ul style="list-style-type: none"> <li>• Large Fleet</li> <li>• Auto Dealers</li> <li>• Construction Equipmt. Maintenance</li> <li>• In-Plant</li> <li>• Fast Lubes</li> </ul>	<ul style="list-style-type: none"> <li>• Auto Dealers</li> <li>• Construction Equipmt. Maintenance</li> <li>• In-Plant</li> <li>• Fast Lubes</li> </ul>	<ul style="list-style-type: none"> <li>• Large Fleet</li> <li>• Auto Dealers</li> <li>• Construction Equipmt. Maintenance</li> <li>• In-Plant</li> <li>• Fast Lubes</li> </ul>
Reference Pages <i>for Pumps &amp; Packages</i>	14	15	16-17



‡ Consult your local authorized Graco representative for line or pipe sizing



# Fast-Ball<sup>®</sup> 1:1

## Air-Operated Piston Pumps

1

### Features and Benefits

- In-line design with fewer parts for less pump wear
- Differential air motor ensures smooth pumping
- Double-acting pump provides reliable fluid flow

### Typical Application

- Lubricant transfer
- Automotive dealerships
- Heavy duty dealerships
- Fast lube centers
- Fleet service facilities
- Service shops
- In-plant
- Lube trucks
- Mining

### Typical Fluids Handled\*

- Petroleum and synthetic based oils

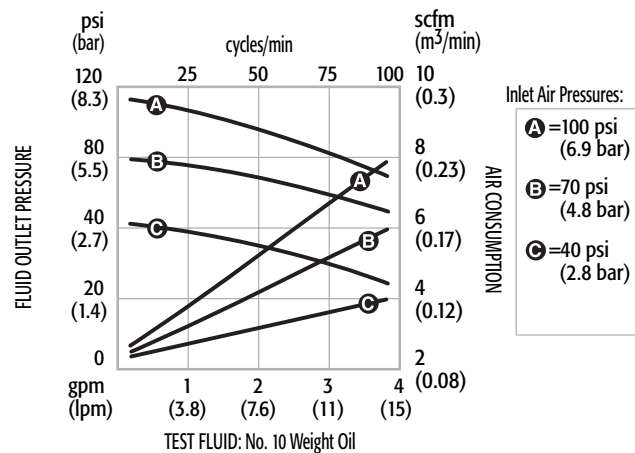
\*See page 56 for 1:1 Fast-Flo Transfer Pumps for non-petroleum-based products



### Technical Specifications

Maximum Fluid Pressure	180 psi (12.5 bar)
Air Motor Effective Diameter	1.4 in (35.6 mm)
Operating Range	40-180 psi (2.7-12.5 bar)
Continuous Duty Flow Rate	5 gpm (19 lpm)
Approx. Air Consumption @100 psi (7 bar)	5 cfm
Air Inlet	1/4 npt(f)
Material Outlet	3/4 npt(f)
Material Inlet	1-1/2 npt(f)
Wetted Parts	CS, Polyurethane
Instruction Manual	307906

### Pump Performance



# Fast-Ball 1:1 Packages

## Air-Operated Piston Pumps

1

	<b>Non-Metered Dispense Package</b>	<b>U.S./Metric Metered Dispense Package</b>	<b>Bung-Mounted</b>	<b>Bung-Mounted</b>	<b>Universal</b>
Container Size	55 gal (200 l)	55 gal (200 l)	55 gal (200 l)	275 gal (1040 l)	Universal
Package No.	<b>222602</b>	<b>239702</b>	<b>222103</b>	<b>222104</b>	<b>222051</b>
Pump	222103	222103	222103	222104	222051
Dispense Kit	218115	239703	–	–	–
Regulator Assembly	218316	218316	–	–	–
Hose	109125	–	–	–	–
Hose Length	6 ft (1.8 m)	–	–	–	–
Bung Adapter	222308	222308	222308	222308	–
Instruction Manual	307637	307637	307906	307906	307906



222602



239702



222103



222104



222051

# Mini Fire-Ball<sup>®</sup> 225, 3:1

## Air-Operated Piston Pumps

1

### Features and Benefits

- Non-corrosive design (metal parts made of SST, aluminum and chrome) for long life
- No metal-to-metal contact means longer pump life and ensures pump will withstand harsh environments
- Double-acting pump provides reliable fluid flow
- Few moving parts translates into low maintenance and low cost of ownership
- Open exhaust port provides continuous operation without icing

### Typical Application

- Medium to low volume and pressure lubricant transfer
- Automotive dealerships
- Heavy duty dealerships
- Fast lube centers
- Fleet service facilities
- Service shops
- In-plant
- Lube trucks
- Mining

### Typical Fluids Handled

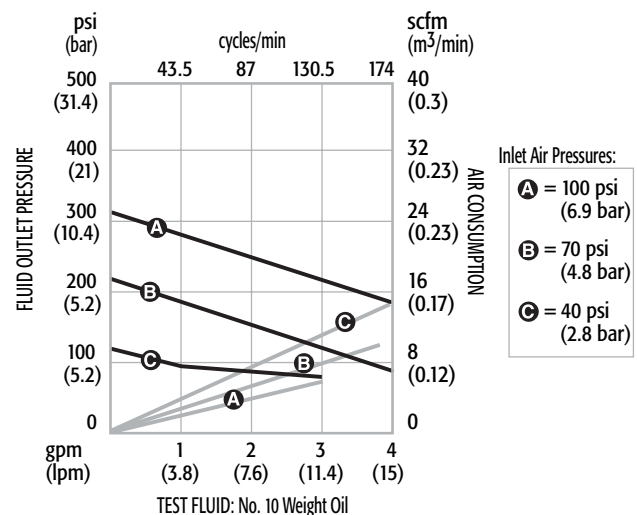
- Petroleum and synthetic based oils

### Technical Specifications

Cycles/gallon (cycles/liter) .....	43.5 (11.4)
Fluid flow @ 80 cpm (gpm/lpm) .....	1.84 (7.0)
Maximum fluid pressure .....	540 psi (37 bar, 3.7 MPa)
Air motor effective diameter .....	2.25 in (57.2 mm)
Air operating range .....	40-180 psi 2.8-12 bar (0.28-1.2 MPa)
Approx air consumption and .....	8.5 scfm @ 2.1 gpm
fluid flow @ 100 psi air and 80 cpm .....	(0.241 m <sup>3</sup> /min @ 7.9 lpm)
Wetted materials .....	Steel, polyurethane, aluminum, buna-N, Rulon <sup>®</sup>
Air inlet port size .....	3/8 npt(f)
Fluid inlet port size .....	1-1/2 npt(f)
Fluid outlet port size .....	1/2 npt(f)
Instruction manual .....	309869



### Pump Performance

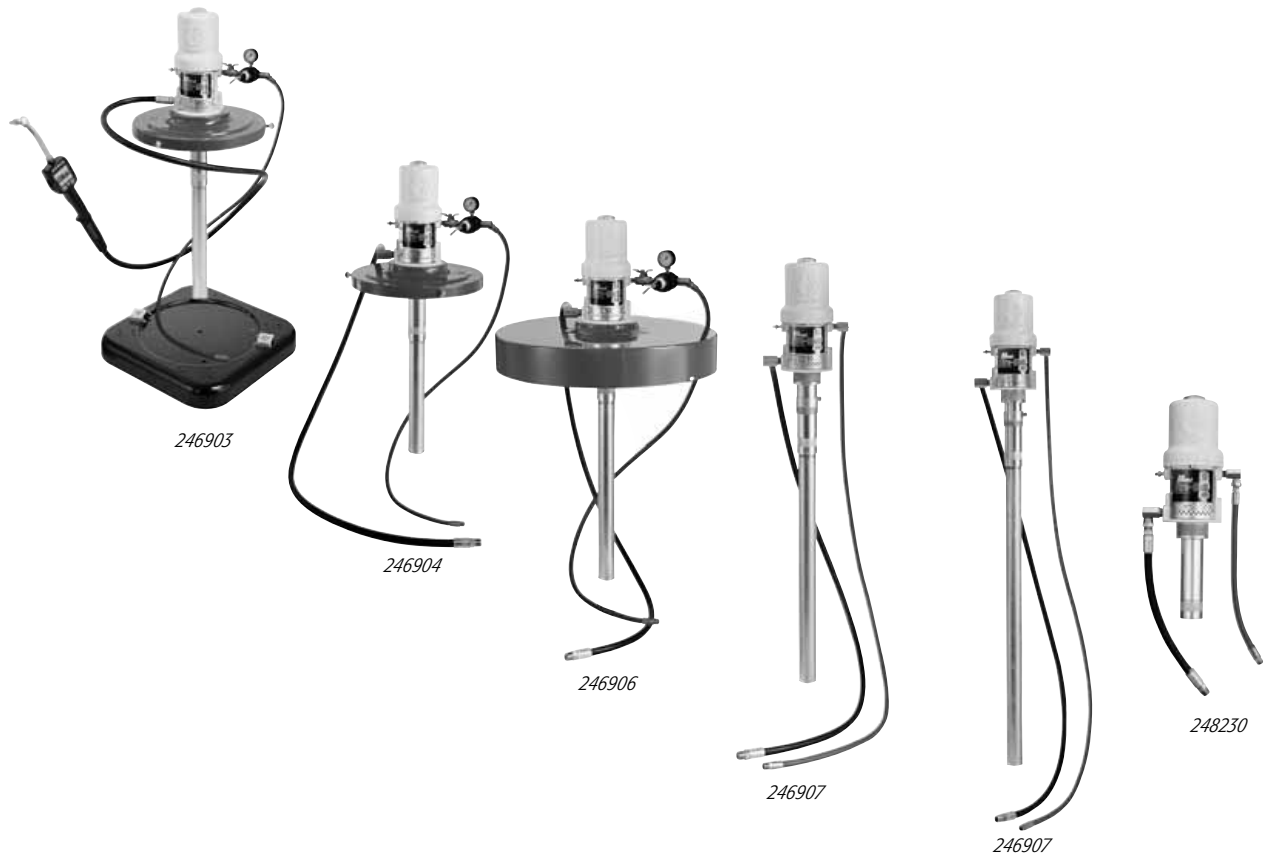


# Mini Fire-Ball 225, 3:1 Packages

## Air-Operated Piston Pumps

	Portable Package	Cover-Mounted Package	Cover-Mounted Package	Bung-Mounted Package	Bung-Mounted Package	Universal Package
Ratio	3:1	3:1	3:1	3:1	3:1	3:1
Container Size	16 gal (60 l)	16 gal (60 l)	55 gal (200 l)	55 gal (200 l)	275 gal (1040 l)	Universal
Fire-Ball 225 Package No.	<b>246903‡</b>	<b>246904‡</b>	<b>246906‡</b>	<b>246907*‡</b>	<b>246907*‡</b>	<b>248230*‡</b>
Fire-Ball 225 Bare Pump	248097*	248097*	248097*	248097*	248097*	246775
Dispense/Hose Fitting Kit	237075	222063	222063	222063	222063	222062
Fluid Hose	6 ft x 1/2 in (1.8 m x 12.7 mm)	6 ft x 1/2 in (1.8 m x 12.7 mm)	6 ft x 1/2 in (1.8 m x 12.7 mm)	6 ft x 1/2 in (1.8 m x 12.7 mm)	6 ft x 1/2 in (1.8 m x 12.7 mm)	1.5 ft x 1/2 in (0.5 m x 12.7 mm)
Air Hose	–	6 ft x 3/8 in (1.8 m x 9.5 mm)	6 ft x 3/8 in (1.8 m x 9.5 mm)	6 ft x 3/8 in (1.8 m x 9.5 mm)	6 ft x 3/8 in (1.8 m x 9.5 mm)	1.5 ft x 3/8 in (0.5 m x 9.5 mm)
Air Regulator	224512	224512	224512	–	–	–
Cover	204574	204574	200326	–	–	–
Caster Base	203622	–	–	–	–	–
Instruction Manual	309868	309868	309868	309868	309868	309868

\*248097 includes suction tube (15C502) and bung adapter (222308)



\* Use 3/8 in (9.5 mm) air regulator 109075 as required; must be ordered separately  
 ‡ Order low-level cut-off 203688 separately for metered dispense systems

# Fire-Ball 300, 5:1

## Air-Operated Piston Pumps

1

### Features and Benefits

- Non-corrosive design (metal parts made of SST, aluminum and chrome) for long life
- No metal-to-metal contact means longer pump life and ensures pump will withstand harsh environments
- Double-acting pump provides reliable fluid flow
- Few moving parts translates into low maintenance and low cost of ownership
- Open exhaust port provides continuous operation without icing

### Typical Application

- Medium to high volume lubricant transfer for multiple metered dispense points
- Automotive dealerships
- Heavy duty dealerships
- Fast lube centers
- Fleet service facilities
- Service shops
- In-plant
- Lube trucks
- Mining

### Typical Fluids Handled

- Petroleum and synthetic based oils

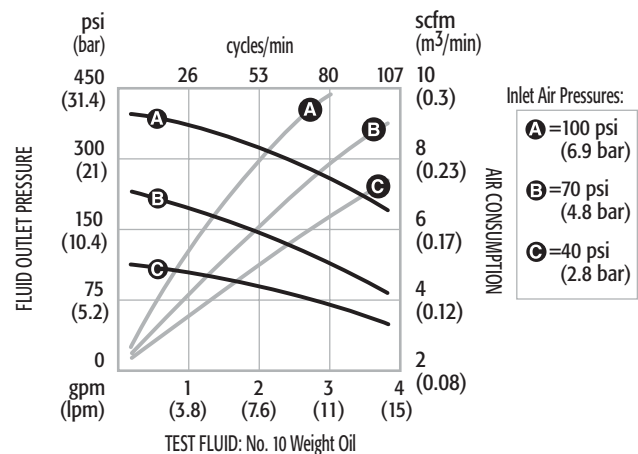
### Technical Specifications

Cycles/gallon (cycles/liter)	28.4 (8.6)
Fluid flow @ 80 cpm (gpm/lpm)	2.8 (9.3)
Maximum fluid pressure	900 psi (62 bar, 6.2 MPa)
Air motor effective diameter	3 in (76.2 mm)
Air operating range	40-180 psi 2.8-12 bar (0.28-1.2 MPa)
Approx air consumption and	27 scfm @ 3 gpm
fluid flow @ 100 psi air and 80 cpm	(0.765 m <sup>3</sup> /min @ 11.5 lpm)
Wetted materials	Steel, polyurethane, aluminum, buna-N
Air inlet port size	3/8 npt(f)
Fluid inlet port size	1-1/2 npt(f)
Fluid outlet port size	1/2 npt(f)
Instruction Manual	309869



203876

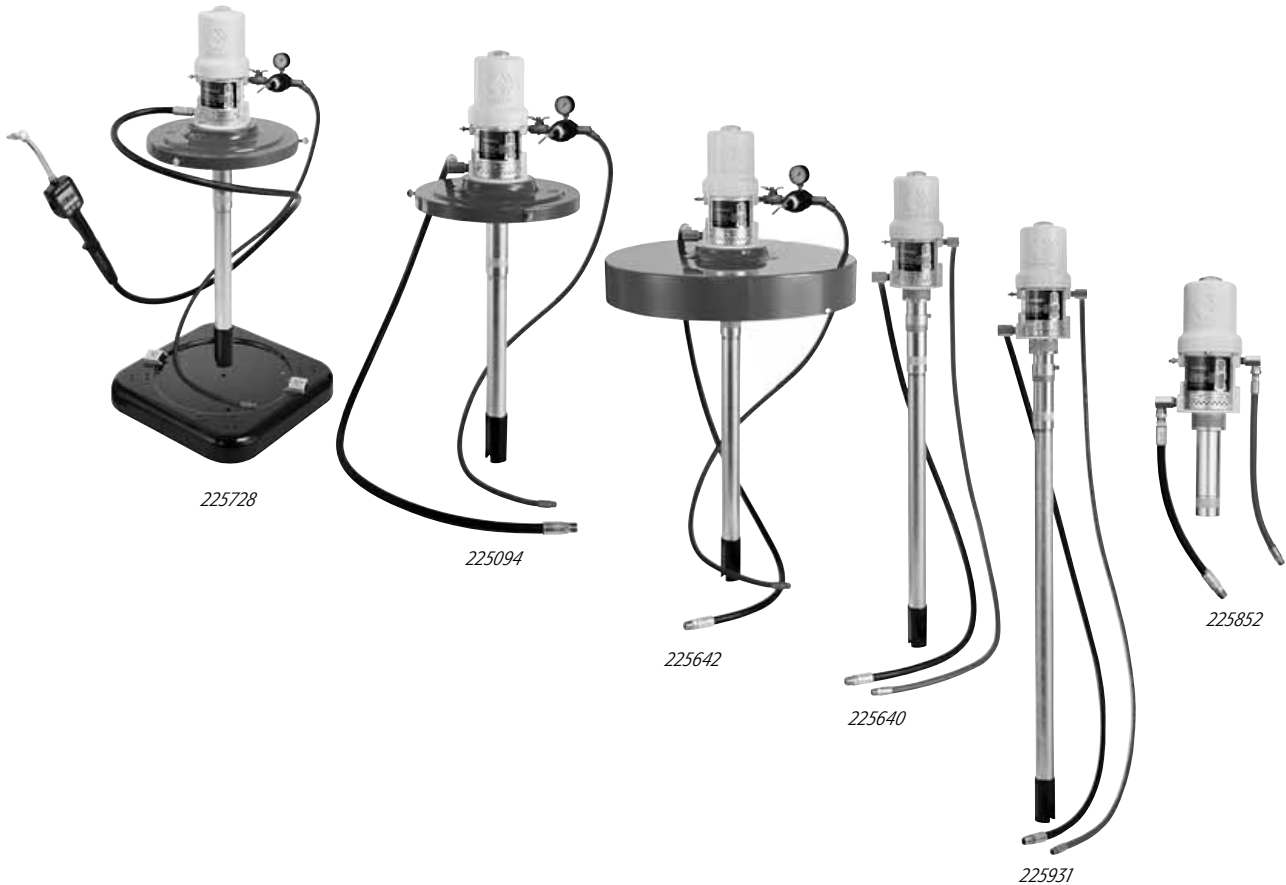
### Pump Performance



# Fire-Ball 300, 5:1 Packages

## Air-Operated Piston Pumps

	Portable Package	Cover-Mounted Package	Cover-Mounted Package	Bung-Mounted Package	Bung-Mounted Package	Universal Package
Container Size	16 gal (60 l)	16 gal (60 l)	55 gal (200 l)	55 gal (200 l)	275 gal (1040 l)	Universal
Package No.	<b>225728*‡</b>	<b>225094**‡</b>	<b>225642**‡</b>	<b>225640**‡</b>	<b>225931**‡</b>	<b>225852**‡</b>
Pump	203872	203872	203857	204254	222087	203876
Dispense/Hose Fitting Kit	237075	222063	222063	222063	222063	222062
Fluid Hose	6 ft x 1/2 in (1.8 m x 12.7 mm)	6 ft x 1/2 in (1.8 m x 12.7 mm)	6 ft x 1/2 in (1.8 m x 12.7 mm)	6 ft x 1/2 in (1.8 m x 12.7 mm)	6 ft x 1/2 in (1.8 m x 12.7 mm)	1.5 ft x 1/2 in (0.5 m x 12.7 mm)
Air Hose	–	6 ft x 3/8 in (1.8 m x 9.5 mm)	6 ft x 3/8 in (1.8 m x 9.5 mm)	6 ft x 3/8 in (1.8 m x 9.5 mm)	6 ft x 3/8 in (1.8 m x 9.5 mm)	1.5 ft x 3/8 in (0.5 m x 9.5 mm)
Air Regulator	224512	224512	224512	–	–	–
Cover	204574	204574	200326	–	–	–
Bung Adapter	–	–	–	222308	222308	–
Caster Base	203622	–	–	–	–	–
Instruction Manual	307884	307883	307883	307883	307883	306520



For Fire-Ball 300, 5:1 Lube Truck Packages, see page 160.

\* Use 3/8 in (9.5 mm) installation kit (224512) as required

\*\* Use 3/8 in (9.5 mm) air regulator (109075) as required; must be ordered separately (see page 138)

‡ Order low-level cut-off (203688) separately for metered dispense systems

# Fire-Ball 425, 3:1 Air-Operated Piston Pumps

1

## Features and Benefits

- Non-corrosive design (metal parts made of SST, aluminum and chrome) for long life
- No metal-to-metal contact means longer pump life and enables the pump to be used in harsh environments
- Double-acting pump provides reliable fluid flow
- Few moving parts translates into low maintenance and low cost of ownership

## Typical Application

- High volume, medium pressure lubricant transfer
- Automotive dealerships
- Heavy duty dealerships
- Fleet service facilities
- Service shops
- In-plant
- Lube trucks
- Mining

## Typical Fluids Handled

- Petroleum and synthetic based oils

## Technical Specifications

Cycles/gallon (cycles/liter)	6 (1.6)
Fluid flow @ 80 cpm (gpm/lpm)	13.4 (50.6)
Maximum fluid pressure	540 psi (37 bar, 3.7 MPa)
Air motor effective diameter	4.25 in (107.9 mm)
Air operating range	40-180 psi 2.8-12 bar (0.28-1.2 MPa)
Approx air consumption and fluid flow @ 100 psi air and 80 cpm	58 scfm @ 13.4 gpm (1.64 m <sup>3</sup> /min @ 50.6 lpm)
Wetted materials	steel, polyurethane, aluminum, nitrile
Air inlet port size	1/2 npt(f)
Fluid inlet port size	1-1/2 npt(f)
Fluid outlet port size	3/4 npt(f)
Instruction Manual	309869

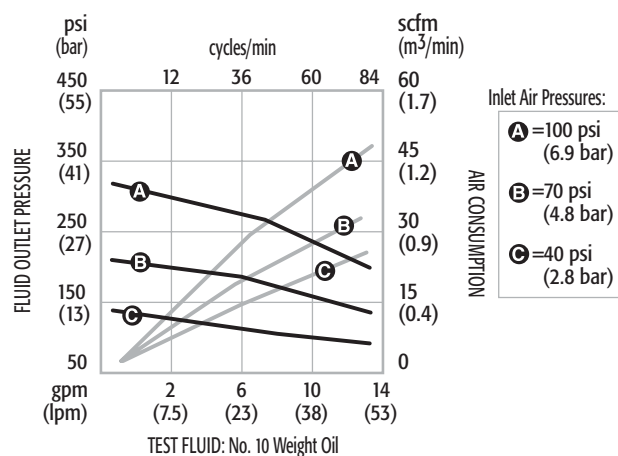


237526

Wall Mount Package #244846 includes:

- 237526 Pump
  - 217072 Filter Regulator
  - 222068 Hose and Fitting Kit
  - 110225 Air Shutoff Valve
  - 108537 Fluid Shutoff
  - 238245 Wall Mount Bracket
- see page 148-149 for larger volume packages

## Pump Performance



# Fire-Ball 425, 6:1 Air-Operated Piston Pumps

## Features and Benefits

- Non-corrosive design (metal parts made of SST, aluminum and chrome) for long life
- No metal-to-metal contact means longer pump life and enables the pump to be used in harsh environments
- Double-acting pump provides reliable fluid flow
- Few moving parts translates into low maintenance and low cost of ownership

## Typical Application

- High volume, moderate pressure lubricant transfer
- Automotive dealerships
- Heavy duty dealerships
- Fleet service facilities
- Service shops
- In-plant
- Lube trucks
- Mining

## Typical Fluids Handled

- Petroleum and synthetic based oils

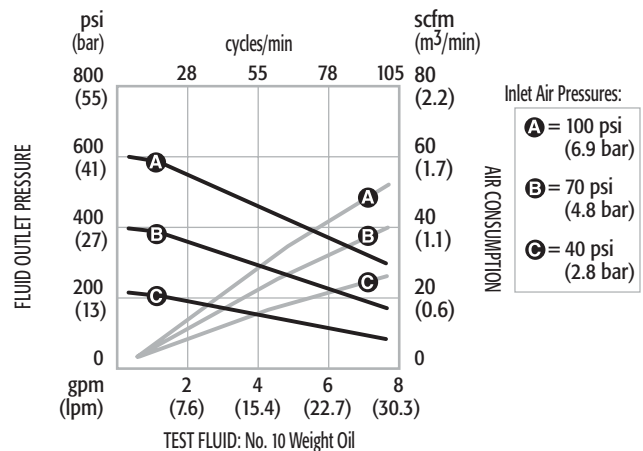
## Technical Specifications

Cycles/gallon (cycles/liter)	12 (3.2)
Fluid flow @ 80 cpm (gpm/lpm)	6.6 (25.3)
Maximum fluid pressure	1100 psi (76 bar, 7.6 MPa)
Air motor effective diameter	4.25 in (107.9 mm)
Air operating range	40-180 psi 2.8-12 bar (0.28-1.2 MPa)
Approx air consumption and fluid flow @ 100 psi air and 80 cpm	49.5 scfm @ 6.8 gpm (.334 m <sup>3</sup> /min @ 25.7 lpm)
Wetted materials	steel, polyurethane, aluminum, nitrile
Air inlet port size	1/2 npt(f)
Fluid inlet port size	1-1/2 npt(f)
Fluid outlet port size	3/4 npt(f)
Instruction Manual	309869



- Wall Mount Package #244628 includes:
- 238108 Fire-Ball 425, 6:1 Pump
  - 222068 Hose and Fitting Kit
  - 217072 Filter Regulator Lubricator
  - 110225 Air Shutoff Valve
  - 108537 Fluid Shutoff Valve
  - 238245 Wall Mount Bracket
- see page 148-149 for larger volume packages

## Pump Performance





# Fire-Ball 425, 10:1 Air-Operated Piston Pumps

1

## Features and Benefits

- Non-corrosive design (metal parts made of SST, aluminum and chrome) for long life
- No metal-to-metal contact means longer pump life and enables the pump to be used in harsh environments
- Double-acting pump provides reliable fluid flow
- Few moving parts translates into low maintenance and low cost of ownership

## Typical Application

- High volume, moderate pressure lubricant transfer
- Automotive dealerships
- Heavy duty dealerships
- Fleet service facilities
- Service shops
- In-plant
- Lube trucks
- Mining

## Typical Fluids Handled

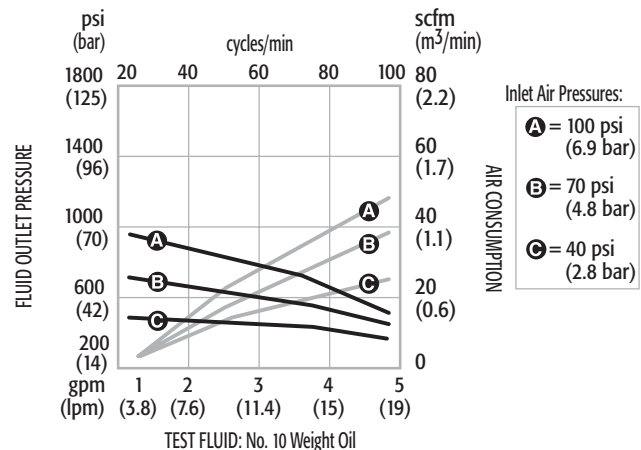
- Petroleum and synthetic based oils

## Technical Specifications

Cycles/gallon (cycles/liter)	19.6 (5.2)
Fluid flow @ 80 cpm (gpm/lpm)	4.1 (15.4)
Maximum fluid pressure	1800 psi (124 bar, 12.4 MPa)
Air motor effective diameter	4.25 in (107.9 mm)
Air operating range	40-180 psi 2.8-12 bar (0.28-1.2 MPa)
Approx air consumption and fluid flow @ 100 psi air and 80 cpm	32 scfm @ 4.1 gpm (.555 m <sup>3</sup> /min @ 15.4 lpm)
Wetted materials	steel, polyurethane, aluminum, nitrile
Air inlet port size	1/2 npt(f)
Fluid inlet port size	1-1/2 npt(f)
Fluid outlet port size	3/4 npt(f)
Instruction Manual	309869



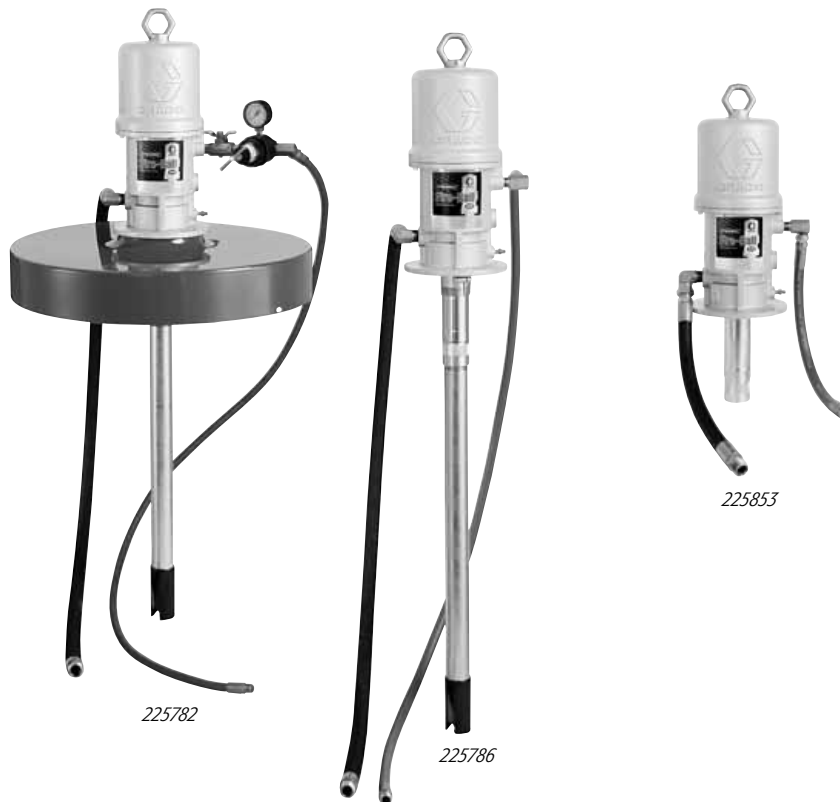
## Pump Performance



# Fire-Ball 425, 10:1 Packages

## Air-Operated Piston Pumps

	Cover-Mounted Package	Bung-Mounted Package	Universal Supply Package	Wall Mount Package
Container Size	55 gal (200 l)	55 gal (200 l)	Universal	Universal
Package No.	<b>225782*‡</b>	<b>225786*‡</b>	<b>225853*‡</b>	<b>244847</b>
Pump No.	222065	222095	205626	205626
Hose/Fitting Kit	222066	222066	222068	222068
Fluid Hose	6 ft x 3/4 in (1.8 m x 19.05 mm)	6 ft x 3/4 in (1.8 m x 19.05 mm)	1.5 ft x 3/4 in (0.5 m x 19.05 mm)	1.5 ft x 3/4 in (0.5 m x 19.05 mm)
Air Hose	6 ft x 1/2 in (1.8 m x 12.7 mm)	6 ft x 1/2 in (1.8 m x 12.7 mm)	1.5 ft x 1/2 in (0.5 m x 12.7 mm)	1.5 ft x 1/2 in (0.5 m x 12.7 mm)
Cover	200326	–	–	–
Filter Regulator	–	–	–	217072
Air Shutoff Valve	–	–	–	110225
Fluid Shutoff Valve	–	–	–	108537
Wall Mount Bracket	–	–	–	238245
Instruction Manual	307883	307883	306520	309351



For 10:1 Fire-Ball 425 Lube Truck Packages, see page 160 and 161. For other wall mount packages, see page 159  
 \* Use 1/2 in (12.7 mm) air regulator #104266 and air pressure gauge #100960 as required; must be ordered separately  
 ‡ Order low-level cut off #203688 separately for metered dispense systems

# Oil Accessories

## Air-Operated Piston Pumps and Packages

---

1

### Ordering Information

#### Hose and Fittings Kits for Fast-Flo 1:1 Pumps

- 222118** 18 in (0.5 m) for connecting wall-mounted Fast-Flo 1:1 pumps to piping. Includes: air hose (109123) with swivel elbow (155541), fluid hose (109108) with swivel elbow (160327).
- 222119** 6 ft (1.8 m) for use with drum-mounted Fast-Flo 1:1 pumps. Includes: air hose (109125) with swivel elbow (155541), fluid hose (109105) with swivel elbow (160327).

#### Hose and Fittings Kits for Mini Fire-Ball 225, 3:1 and Fire-Ball 300, 5:1 Pumps

- 222062** 18 in (0.5 m) for connecting wall-mounted Mini Fire-Ball 225, 3:1 and Fire-Ball 300, 5:1 pumps to piping. Includes: air hose (204560) with swivel elbow (155494), fluid hose (220598) with swivel elbow (155470). Instruction manual 306520.
- 222063** 6 ft (1.8 m) For use with drum-mounted Mini Fire-Ball 225, 3:1 and Fire-Ball 300, 5:1 pumps. Includes: air hose (203320) with swivel elbow (155494), fluid hose (220591) with swivel elbow (155470). Instruction manual 307883.

#### Dispense Kits for Mini Fire-Ball 225, 3:1 and Fire-Ball 300, 5:1 Pumps

- 239704** 6 ft (1.8 m) For use with portable lubricators powered by the Mini Fire-Ball 225, 3:1. Includes: fluid hose (220591), dispense valve (222412) and electronic meter (239824). Instruction manual 308382.
- 237075** 6 ft (1.8 m) For use with portable lubricators powered by the Fire-Ball 300, 5:1. Includes: fluid hose (220591) and EM5 gear lube valve (238463). Instruction manual: 307884.

#### Hose and Fittings Kits for Fire-Ball 425, 3:1, 6:1 and 10:1

- 222068** 18 in (0.5 m) For connecting wall-mounted Fire-Ball 425, 10:1 pumps to piping. Includes: air hose (218093) with swivel elbow (155470), fluid hose (109108) with swivel elbow (160327). Instruction manual: 306520.
- 238246** 24 in (0.6 m) For use with Fire-Ball 425, 3:1 and 6:1 wall-mounted pumps to piping. Includes: air hose (218093) with swivel elbow (155470), fluid hose (238247) with swivel elbow (160327). Instruction manual: 308483.
- 222066** 6 ft (1.8 m) For use with drum-mounted Fire-Ball 425, 10:1 pumps. Includes: air hose (205418) with swivel elbow (155470), fluid hose (109105) with swivel elbow (160327). Instruction manual: 307883.

#### 236054 Suction Kits

6 ft (1.8 m) Suction Kit for 55-gal. (200 l) drums. Includes: 55-gal. (200 l) drum tube, bung adapter and 6 ft (1.8 m) of 3/4 in fluid hose with 3/4 in ID x 1-1/2 in bushing to adapt to any universal Graco oil pump. Allows use of Fast-Ball 1:1, Mini Fire-Ball 225, 3:1, Fire-Ball 300, 5:1 or Fire-Ball 425, 10:1 universal pumps with barrels. Wall brackets must be ordered separately. Use with low-level cut-off (203688) when metering fluids. Instruction manual: 308335.

# Oil Accessories

## Air-Operated Piston Pumps and Packages

### Drum Covers

- 200326** Cover for open-head 55 gal (200 l) drums. Use with any Mini Fire-Ball 225, 3:1, Fire-Ball 300, 5:1 or Fire-Ball 425, 10:1 pump. Use adapter #160754 for cover-mounting bung-style pumps.
- 204574** Cover for open-head 16 gal (60 l) or 70 lb (32 kg) drums. Mounts Fast-Ball 1:1, or Mini-Fire-Ball or Fire-Ball pumps.
- 222058** Cover for 5 gal (20 l) pails. Mounts Fast-Ball 1:1, Mini Fire-Ball 225, 3:1, Fire-Ball 300, 5:1 and 15:1 pumps. Includes bung-adapter plate (160754). If needed order bung adapter (222308) separately.
- 160754** Bung-adapter plate for 55 gal (200 l) or 16 gal (60 l) covers. Mounts to 55 gallon (400 lb; 200 l), 16 gal (120 lb; 60 l) drum or 5 gal (20 l) pail covers and converts mounting to standard 2 npt bung opening. Allows use of bung-mounted pumps with drum covers.



200326



204574

### Wall-Mounting Brackets

- 203987** For universal Fast-Ball 1:1, Mini Fire-Ball 225, 3:1, Fire-Ball 300, 5:1 and Fire-Ball 425, 10:1 pumps. Clamps onto universal pump tube.
- 238245** For use with Fire-Ball 425, 3:1, 6:1 and 10:1 pumps. Shelf bracket. Mounts directly to pump flange.
- 236778** For use with Fire-Ball 425, 3:1, Dyna-Star 1/4:1 and Power-Star 1:1 pumps. Clamps to pump tube and provides mounting to wall surface by flange.



160754

### Clamps

- 203156** Open-drum pump clamp. Attaches to side of open-head drum and mounts on any size pump except Fire-Ball 425, 3:1.
- 210880** Open-drum pump clamp for Fire-Ball 300, 5:1 and Fire-Ball 425, 10:1 pumps. Clamps onto pump tube and attaches to open-drum lip.



203987



203156



210880

# Oil Accessories

## Air-Operated Piston Pumps and Packages

1

### Carts

- 203650** Cart for 5, 10 and 16 gal (20, 40, and 60 l) drums. Drums fit into recess on formed base. Rim clamps secure drum to cart. Use with pail clamp (159952) when using cart with 5 gal (20 l) pails.
- 222243** Heavy-Duty Cart with Pneumatic Wheels for 120 lb (55 kg) drums. Used for moving lubrication equipment over rough terrain. Requires: Hold down kit (222061).
- 111470** 55 gal (200 l) Drum Truck. Heavy-duty drum truck secures 55 gal (200 l) drum on roll-around base.

### Portable Bases

- 205054** Band Dolly for 5 gal (20 l) pails (11-1/2 in ID)
- 204144** Band Dolly for 10 and 16 gal (40 and 60 l) drums (14 in ID)
- 203622** Caster Base for 5, 10 and 16 gal (20, 40 and 60 l) drums

### Drum Elevator

- 241663** Air-powered elevator to speed-up 55 gal (200 l) drum changes. Maximum raised height: 39.5 in (100.3 cm). Includes: cover support (207562), drum elevator (204385), and air control kit (207561).

### Suction Tubes For Pumps

- 238592 For 16 gal (60 l) Cover-Mounted Fast-Ball 1:1, Mini Fire-Ball 225, 3:1, Fire-Ball 300, 5:1 and Fire-Ball 425, 10:1 Pumps**  
Use bung adapter #222308 on all current production models  
Includes: 191126 14-1/2 in (0.36 m) extension  
110127 Foot spacer
- 238593 For 55-gal (200 l) Cover-Mounted Pumps**  
Includes: 191128 21-3/4 in (0.55 m) extension  
110127 Foot spacer
- 238595 For 55 gal (200 l) Bung-Mounted Fast-Ball 1:1, Mini Fire-Ball 225, 3:1, Fire-Ball 300, 5:1 and Fire-Ball 425, 10:1 Pumps**  
Use bung adapter #222308 on all current production models  
Includes: 191130 26 in (0.66 m) extension  
110127 Foot spacer
- 238596 For 275-gal (1100 l) Bung-Mounted Pumps**  
Includes: 191131 36 in (0.91 m) extension  
110127 Foot spacer
- 15C502 Universal Down Tube**  
1-1/2 in tube marked for standard container lengths from 20 in (0.51 m) to 41 in (1.04 m)



# Oil Accessories

## Air-Operated Piston Pumps and Packages

### Bung Adapters

**222308 For Fast-Ball 1:1; Mini Fire-Ball 225, 3:1; Fire-Ball 300, 5:1; and Fire-Ball 425, 10:1 Pumps**

Allows direct mounting of all universal length and extended Fast-Ball 1:1, Mini Fire-Ball 225, 3:1, Fire-Ball 300, 5:1 and Fire-Ball 425, 10:1 pumps into standard 2 npt drum bung.

**238125 For Mini Fire-Ball 225, 3:1; Fire-Ball 300, 5:1; and the Fire-Ball 425, 10:1**

Includes double tap bushing (191075), 1 ft 3/8 in hose (238370), and 90° 3/8 in adapter (155494) for mounting universal pumps to tanks (see 308403 for details).

**214583 For Fast-Flo 1:1 Pumps**

Allows direct mounting of full-length Fast-Flo 1:1 pumps into standard 2 npt drum bung.

**187754 Acetal Bung Adapter**

Includes: 100220 Thumbscrew  
*(for use with Fire-Ball 300, 15:1 SST undercoating pump)*

**176684 Bung Adapter for Suction Kit #203992**

Includes: 100220 Thumbscrew

### Sealed Bung Adapters

*Prevents rain water and other fluids from entering drum when pump is bung-mounted outdoors.*

**204076** Sealed bung adapter for full-length Fire-Ball pumps with 2-1/8 in (53.9 mm) bung and Mini Fire-Ball 225, 3:1

**224579** Sealed bung adapter for universal length Fire-Ball pumps

*(will not fit Mini Fire-Ball 225, 3:1 or old style pumps with bottom foot valve).*

**217359** Sealed bung adapter for Fast-Flo pumps; can be used with suction kit #236054



### Low-Level Cut-Offs

*Prevents air from entering pump by closing intake when fluid supply to pump is exhausted. Can be used with suction hose kit or standard suction tube without changing tube length.*

**203688** Low-level cut-offs for Fast-Ball, and Fire-Ball pumps

For pumps that have a universal design with suction tube extension supplying metered outlets; replaces stand-off suction tube; 1.5 npt(f) inlet. 3 in (76 mm) height.

**204159** Low-level cut-off for pump models #203857, #203872 and #204254 built prior to 1996. 2 in uns (m) inlet

### Thermal Relief Valve Kits (includes valve, hose and fittings)

**235998** Mini Fire-Ball 225, 3:1 thermal relief valve rated to 600 psi (41 bar)

**237893** Fire-Ball 300, 5:1 and Fire-Ball 425, 6:1 thermal relief valve rated to 900 psi (62 bar)

**248296** Fire-Ball 300, 5:1 and Fire-Ball 425, 6:1 thermal relief valve rated to 900 psi (62 bar) (same as 237893 minus bung adapter and swivel. Includes 6 foot hose).

**237601** Fire-Ball 425, 3:1 thermal relief valve rated to 600 psi (41 bar)

**240429** Fire-Ball 425, 10:1 thermal relief valves rated to 1600 psi (110 bar)

**248324** Fire-Ball 425, 10:1 thermal relief valves rated to 1600 psi (110 bar) (same as 240429 minus bung adapter and swivel. Includes 6 foot hose)

**238899** Diaphragm pump thermal relief valve rated to 150 psi (10.4 bar)

**112353** Diaphragm pump thermal relief valve for fuel dispense; rated to 50 psi (3.4 bar), valve only

### Bleed-Type Air Shut-Off Valves (rated to 250 psi [17.4 bar]) Female ends

**110223** 1/4 in (6.4 mm)

**110224** 3/8 in (9.5 mm)

**110225** 1/2 in (12.7 mm)

**110226** 3/4 in (19.1 mm)

# Oil Accessories

## Air-Operated Piston Pumps and Packages

1

### Fluid Shut-Off Valves (rated to 2000 psi [138 bar])

*For isolating oil dispense lines.*

**108458** 1/2 in (12.7 mm)

**108537** 3/4 in (19.1 mm)

**110314** 1 in (25.4 mm)



108458

### 240417 Fluid T-Strainers

60 Mesh Strainer, 750 psi (51 bar) working pressure. Prevents foreign material from entering dispense lines. Not for use with grease lines. 1/2 in npt(f) swivel x 1/2 in npt(m) ports.



240417

### Mesh Strainer Replacement for #240417

3 replacement Elements	25 replacement Elements	Mesh
<b>238433</b>	<b>238434</b>	40 mesh
<b>238431</b>	<b>238432</b>	60 mesh (standard)
<b>238429</b>	<b>n/a</b>	100 mesh

### Y-Strainers 400 psi (28 bar) max. working pressure

*Filters material before it enters the pump. 20 mesh screen.*

Y-Strainer	Replacement Screens	Inlet/Outlet
<b>101078</b>	<b>180199</b>	3/4 npt(f) both ends
<b>110877</b>	<b>110906</b>	1/2 npt(f) both ends
<b>110878</b>	<b>110907</b>	1 npt(f) both ends



101078





# Oil Pumps

## Quick Reference

1

### Oil Pumps

Model Pump Ratio	Universal	16 Gal. (60 l) Cover Mt.	55 Gal. (200 l) Bung Mt.	55 Gal. (200 l) Cover Mt.	275 Gal. (1040 l) Bung Mt.	Typical Application
<b>Fast-Ball</b>						
1:1	222051	N/A	222103	N/A	222104	Short Distance Transfer MO, GO, ATF, HYD
<b>Fast-Flo</b> <i>UL-Approved</i>						
1:1	226944	N/A	226941	N/A	N/A	Short Distance Transfer MO, GO, ATF, HYD
<b>Fast-Flo</b> <i>Stainless Steel; UL-Approved</i>						
1:1	226945	N/A	226942	N/A	N/A	Short Distance Transfer WWS, MO, WA, GO, ATF, HYD
<b>Mini Fire-Ball 225</b>						
3:1	246775	246904	246907	246906	246907	Maintenance Facility MO, GO, ATF, HYD
<b>Fire-Ball 300</b>						
5:1	203876	203872	204254	203857	222087	Continuous duty, Maintenance Facility MO, GO, ATF, HYD
<b>Fire-Ball 425</b>						
3:1	237526	N/A	N/A	N/A	N/A	High-flow, Low-pressure Maintenance Facility, MO, GO, ATF, HYD
6:1	238108	N/A	N/A	N/A	N/A	High-flow, Medium-pressure Maintenance Facility, MO, GO, ATF, HYD
10:1	205626	N/A	222095	222065	N/A	Long-distance Maintenance Facility, MO, GO, ATF, HYD

### Mounting Accessories

Pump	Fast-Ball	Mini Fire-Ball 225	Fire-Ball 300	Fire-Ball 425	Fire-Ball 425
Ratio	1:1	3:1	5:1	3:1	6:1
Bung Adapter	222308	222308	222308	N/A†	N/A†
Connection Hose Kit	222118 (18 in [45.7 cm]) 222119 (72 in [182.8 cm])	222062 (18 in [45.7 cm]) 222063 (72 in [182.8 cm])	222062 (18 in [45.7 cm]) 222063 (72 in [182.8 cm])	238246 (24 in [60.9 cm]) -	238246 (24 in [60.9 cm]) -
Wall Mounting Bracket	203987	203987	203987	238245	238245
Thermal Relief Kit	-	235998	237893	237601	240429
Air Regulator and Gauge	110147	109075	109075	104266/100960	104266/100960
Air Filter	110146	106148	106148	106149	106149
Air Lubricator	110148	214847	214847	214848	214848
FRL*	110149	110150	110150	217072	217072
Airline Shutoff Valve	110223	110224	110224	110225	110225
Fluid Shutoff Valve	108537	108458	108458	108537	108537
Fluid Outlet Filter	240417	240417	240417	101078	112087
Low-Level Cutoff	203688	203688	203688	203688	203688
Suction Hose Kit	236054	236054	236054	N/A**	N/A**

\*Filter, Regulator, Lubricator and Gauge

\*\*Recommend 1-1/2 in, 6 ft hose assembly as suction kit

†Must be wall-mounted or flange-mounted

Wetted Materials	Max. Fluid Outlet Pressure	Air Operating Range	Cycles/Gallon (cycles/liter)	Fluid Flow @ 80 cpm gpm (lpm)	Approx. Air Consumption	Air Inlet (npt)	Material Outlet (npt)	Material Inlet (npt)
CS Urethane	180 psi (12.4 bar)	40-180 psi (2.8-12.4 bar)	10 gpm (45.5 lpm)	4-5 gpm (18-22.7 lpm)	7cfm @ 100 psi (7 bar)	1/4 (f)	3/4 (f)	1-1/2 (f)
CS Polyethylene	180 psi (12.4 bar)	40-180 psi (2.8-12.4 bar)	10 gpm (45.5 lpm)	4-5 gpm (18-22.7 lpm)	7cfm @ 100 psi (7 bar)	1/4 (f)	3/4 (f)	1-1/2 (f)
SS Polyethylene	180 psi (12.4 bar)	40-180 psi (2.8-12.4 bar)	10 gpm (45.5 lpm)	4-5 gpm (18-22.7 lpm)	7cfm @ 100 psi (7 bar)	1/4 (f)	3/4 (f)	1-1/2 (f)
Steel, Buna, Rulon, Aluminum, Polyurethane	450 psi (31 bar)	40-150 psi (2.8-10.4 bar)	43.5 gpm (11.4 lpm)	1.84 gpm (7 lpm)	15cfm @ 100 psi (7 bar)	3/8 (f)	1/2 (f)	1-1/2 (f)
Nitrile, Steel, Aluminum Polyurethane	900 psi (62 bar)	40-180 psi (2.8-12.4 bar)	28.4 gpm (8.6 lpm)	2.8 gpm (9.3 lpm)	18cfm @ 100 psi (7 bar)	3/8 (f)	1/2 (f)	1-1/2 (f)
Nitrile, Steel, Aluminum Polyurethane	540 psi (37 bar)	40-180 psi (2.8-12.4 bar)	6 gpm (1.6 lpm)	13.4 gpm (50.6 lpm)	40cfm @ 100 psi (7 bar)	1/2 (f)	3/4 (f)	1-1/2 (f)
Nitrile, Steel, Aluminum Polyurethane	1100 psi (76 bar)	40-180 psi (2.8-12.4 bar)	12 gpm (3.2 lpm)	6.6 gpm (25.3 lpm)	40cfm @ 100 psi (7 bar)	1/2 (f)	3/4 (f)	1-1/2 (f)
Nitrile, Steel, Aluminum Polyurethane	1800 psi (124 bar)	40-180 psi (2.8-12.4 bar)	19.6 gpm (5.2 lpm)	4.1 gpm (15.4 lpm)	40cfm @ 100 psi (7 bar)	1/2 (f)	3/4 (f)	1-1/2 (f)

Fire-Ball 425
10:1
222308
222068 (18 in [45.7 cm])
222066 (72 in [182.8 cm])
203987
240429
104266/100960
106149
214848
217072
110225
108537
112087
203688
236054

**Key**

- MO = Motor Oil
- GO = Gear Oil
- WWS = Windshield Washer Solvent
- WA = Water, Anti-Freeze
- HYD = Hydraulic Fluid
- ATF = Automatic Transmission Fluid



---

# Table of Contents

## Grease Pumps

---

2

<b>SELECTION GUIDE</b> .....	<b>28</b>
Mini Fire-Ball 225, 50:1 .....	29-31
Fire-Ball 300, 50:1 .....	32-35
Fire-Ball 425, 50:1 .....	36-37
Fire-Ball 425, 75:1 .....	38-39
Fire-Ball 300, 15:1 .....	40-41
Fire-Ball 425, 10:1 .....	42-43
Grease Accessories .....	44-47
Quick Reference .....	48-49
Notes .....	50

# Grease Pumps

## Selection Guide

2

Pump Pictured	Mini Fire-Ball 225	Fire-Ball 300	Fire-Ball 425	Fire-Ball 425
Ratio	50:1	50:1	50:1	75:1
Line Length*	Up to 100 ft (30.5 m)	Up to 250 ft (76.2 m)	Up to 500 ft (152.4 m)	Up to 500 ft (152.4 m)
Dispense Points <i>(simultaneous)</i>	1	1 to 2	4 or more	4 or more
Annual Usage lb (kg)	Up to 5,000 (up to 2,268)	Up to 10,000 (up to 4,535)	20,000 or more (9,072 or more)	15,000 or more (6,804 or more)
Typical Application	<ul style="list-style-type: none"> <li>• Auto Dealerships</li> <li>• Fast Lube Centers</li> <li>• Service Shops</li> </ul>	<ul style="list-style-type: none"> <li>• Auto Dealerships</li> <li>• Heavy Duty Dealerships</li> <li>• Fast Lube Centers</li> <li>• Fleet Service Facilities</li> <li>• Service Shops</li> <li>• In-Plant</li> <li>• Mining</li> </ul>	<ul style="list-style-type: none"> <li>• Auto Dealerships</li> <li>• Heavy Duty Dealerships</li> <li>• Fleet Service Facilities</li> <li>• Service Shops</li> <li>• In-Plant</li> <li>• Lube Trucks</li> <li>• Mining</li> </ul>	<ul style="list-style-type: none"> <li>• Auto Dealerships</li> <li>• Heavy Duty Dealerships</li> <li>• Fleet Service Facilities</li> <li>• Service Shops</li> <li>• In-Plant</li> <li>• Lube Trucks</li> <li>• Mining</li> </ul>
Pumps & Packages				
Reference Pages	29-31	32-35	36-37	38-39



\* Consult your local authorized Graco representative for line or piping size

# Mini Fire-Ball 225, 50:1

## Air-Operated Piston Pumps

### Features and Benefits

- Non-corrosive air motor design for long life
- Double-acting pump ensures smooth fluid flow
- Robust grease inlet cage withstands the most abusive handling

### Typical Application

- High pressure, low volume grease dispense
- Automotive dealerships
- Fast lube centers
- Service shops

### Typical Fluids Handled

- Grease up to NGLI #2

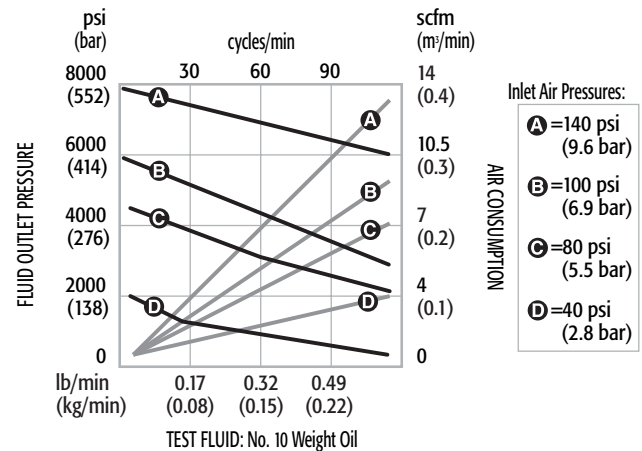


Mini Fire-Ball 225, 50:1  
246780 shown

### Technical Specifications

Maximum Fluid Pressure	8400 psi (578 bar)
Air motor effective diameter	2.25 in (57.2 mm)
Operating Range	40 - 140 psi (3 - 10 bar)
Continuous Duty Flow Rate	0.32 lb/min
Approx Air Consumption @100 psi @ 80 cpm	7.3 scfm @ 0.41 lb/min
Air Inlet	3/8 npt (f)
Material Outlet	1/4 npt (f)
Material Inlet	slotted
Wetted Parts	Steel, urethane, aluminum, buna-N, brass, ethylene, Delrin®
Instruction Manual	309966

### Pump Performance



# Mini Fire-Ball 225, 50:1 Packages

## Air-Operated Piston Pumps

2

	<b>Portable Pail Dispenser</b>	<b>Stationary Pail Dispenser</b>	<b>Cart-Mounted Pail Dispenser</b>
Container Size	35 lb (16 kg) pail	35 lb (16 kg) pails or 70 lb (32 kg) bulk	35 lb (16 kg) pails or 70 lb (32 kg) bulk
Package No.	<b>246910+</b>	<b>246911+</b>	<b>246913+</b>
Pump No.	246909	246909	246909
Container	-	204134	204134
Follower Plate	220653	*	*
Dispense Kit	236058	236058	236058
Fluid Hose	12 ft x 1/4 in (3.7 m x 6.4 mm)	12 ft x 1/4 in (3.7 m x 6.4 mm)	12 ft x 1/4 in (3.7 m x 6.4 mm)
Cover	222059	204574	204574
Cart	-	-	203650
Instruction Manual	309967	309967	309967



+ Order 3/8 in (9.5 mm) air regulator (109075) separately

\* Order follower plate #220653 separately for 35 lb (16 kg) pails or #220654 for 70 lb (32 kg) bulk

# Mini Fire-Ball 225, 50:1 Packages

## Air-Operated Piston Pumps

2

	Stationary Supply Package	Portable Package w/ Caster Base	Portable Package w/ 2-Wheel Cart	Stationary Supply Package
Container Size	120 lb (55 kg)	120 lb (55 kg)	120 lb (55 kg)	400 lb (180 kg)
Package No.	<b>246914+</b>	<b>246915+</b>	<b>246916+</b>	<b>246917+</b>
Pump No.	246780	246780	246780	246781
Follower Plate	220654	220654	220654	223845
Dispense Kit	222072	236058	236058	222072
Fluid Hose	6 ft x 1/4 in (1.8 m x 6.4 mm)	12 ft x 1/4 in (3.7 m x 6.4 mm)	12 ft x 1/4 in (3.7 m x 6.4 mm)	6 ft x 1/4 in (1.8 m x 6.4 mm)
Air Hose	6 ft x 3/8 in (1.8 m x 9.5 mm)	-	-	6 ft x 3/8 in (1.8 m x 9.5 mm)
Cover	204574	204574	204574	200326
Base / Cart	-	203622	203650	-
Instruction Manual	309967	309967	309967	309967



+ Use 3/8 in (9.5 cm) air regulator #109075; must be ordered separately



# Fire-Ball 300, 50:1

## Air-Operated Piston Pumps

2

### Features and Benefits

- Non-corrosive air motor design (metal parts made of SST, aluminum and chrome) for long life
- No metal-to-metal contact provides longer pump life and withstands harsh environments
- Double-acting pump provides smooth fluid flow
- Few moving parts translates into low maintenance and low cost of ownership
- Robust grease inlet cage withstands the most abusive handling

### Typical Application

- High pressure, medium volume grease dispense
- Automotive dealerships
- Heavy duty dealerships
- Fast lube centers
- Fleet service facilities
- Service shops
- In-plant
- Lube trucks
- Mining

### Typical Fluids Handled

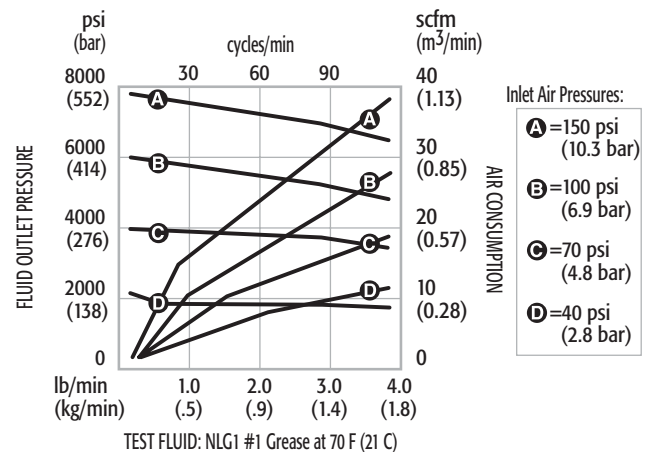
- Grease up to NGLI #2

### Technical Specifications

Maximum Fluid Pressure	8400 psi (580 bar)
Air Motor Effective Diameter	3 in (76.2 mm)
Operating Range	30-140 psi (3.0-9.7 bar)
Continuous Duty Flow Rate	1.19 lb/min
Approx. Air Consumption @100 psi (7 bar)	22.8 cfm
Air Inlet	3/8 npt (f)
Material Outlet	1/4 npt (f)
Material Inlet	slotted
Wetted Parts	CS, Delrin, Buna-N, Polyurethane
Instruction Manual	308883

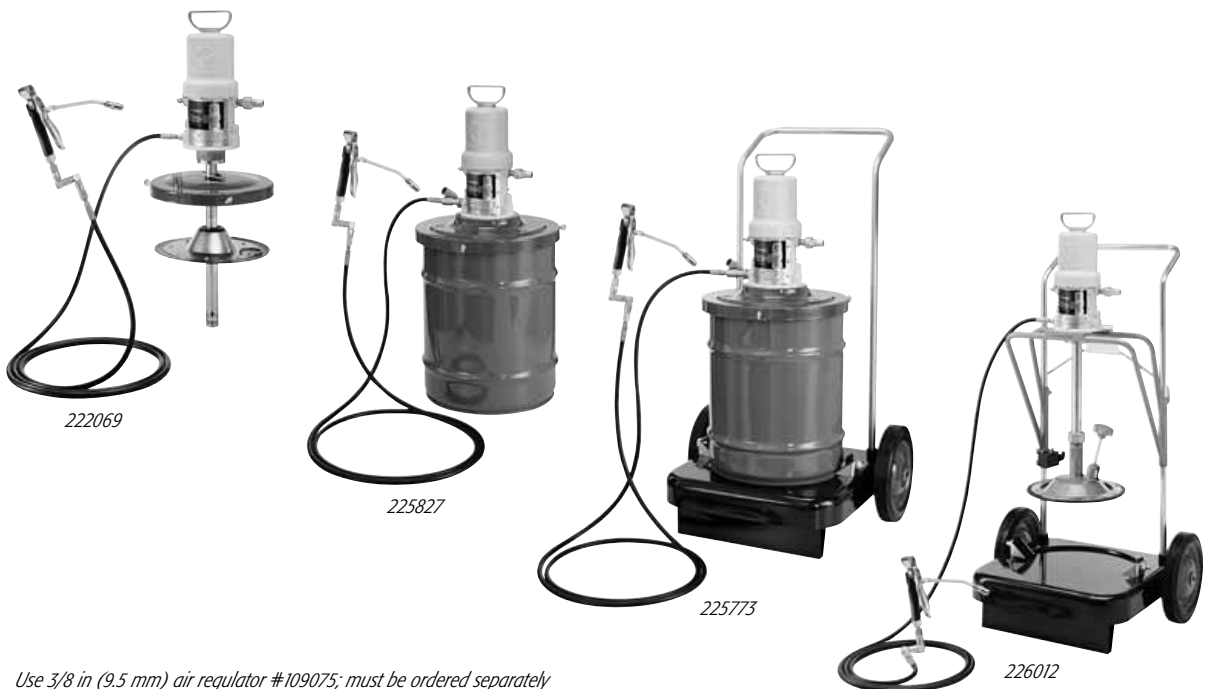


### Pump Performance



# Fire-Ball 300, 50:1 Packages For 35-70 lb (16.32 kg) Containers

	Portable Pail Dispenser	Stationary Pail Dispenser	Cart-Mounted Pail Dispenser	Cart-Mounted Pail Topper
Container Size	35 lb (16 kg)	35 lb or 70 lb (16 kg or 32 kg)	35 lb or 70 lb (16 kg or 32 kg)	35 lb (16 kg)
Package No.	<b>222069*</b>	<b>225827*</b>	<b>225773*</b>	<b>226012*</b>
Metered Package**	<b>245694</b>	-	<b>245695</b>	-
Pump No.	239877	239877	239877	239877
Dispense Kit	222070	222070	222070	222070
Fluid Hose	12 ft x 1/4 in (3.7 m x 6.4 mm)	12 ft x 1/4 in (3.7 m x 6.4 mm)	12 ft x 1/4 in (3.7 m x 6.4 mm)	12 ft x 1/4 in (3.7 m x 6.4 mm)
Air Hose	-	-	-	-
Follower Plate	220653	†	†	-
Cover	222059	204574	204574	-
Holster	-	203976	203976	203976
Container	-	204134	204134	-
Cart	-	-	203650	203650
Elevator	-	-	-	203664
Inductor Plate	-	-	-	204351
Instruction Manual	307878	307878	307878	307878



\* Use 3/8 in (9.5 mm) air regulator #109075; must be ordered separately  
 \*\* Metered grease package includes 233807 Accu-Shot instead of 242056 Pro-Shot  
 † Order follower plate #220653 for 35 lb (16 kg) containers, and follower plate #220654 for 70 lb (32 kg) containers; must be ordered separately

# Fire-Ball 300, 50:1 Packages For 120 lb (55 kg) Containers

2

	Portable Package w/Caster Base	Portable Package w/Two-Wheel Cart	Portable Package w/Heavy-Duty Cart	Stationary Supply Package	Stationary Supply Topper-Inductor Package
Container Size	120 lb (55 kg)	120 lb (55 kg)	120 lb (55 kg)	120 lb (55 kg)	120 lb (55 kg)
Package No.	<b>225006*</b>	<b>225026*</b>	<b>222245*</b>	<b>225014*</b>	<b>222073*</b>
Metered Package		<b>245696**</b>			
Pump No.	239887	239887	239887	239887	239887
Dispense Kits	222070	222070	222383	222072	-
Fluid Hose	12 ft x 1/4 in (3.7 m x 6.4 mm)	12 ft x 1/4 in (3.7 m x 6.4 mm)	25 ft x 1/4 in (7.6 m x 6.4 mm)	6 ft x 1/4 in (1.8 m x 6.4 mm)	6 ft x 1/4 in (1.8 m x 6.4 mm)
Air Hose	-	-	-	6 ft x 3/8 in (1.8 m x 9.5 mm)	6 ft x 3/8 in (1.8 m x 9.5 mm)
Follower Plate	220654	220654	220654	220654	-
Cover	204574	204574	222060	204574	-
Holster	203976	203976	-	-	-
Caster Base	203622	-	-	-	-
Cart	-	203650	222243	-	-
Elevator	-	-	-	-	204121
Pump Support	-	-	-	-	222074†
Hold Down Kit	-	-	222061	-	-
Instruction Manual	307878	307878	307878	307880	306523



For Fire-Ball 300, 50:1 Lube Truck Packages, see page 160 and 161.

\* Use 3/8 in (9.5 mm) air regulator #109075; must be ordered separately

\*\* Metered grease package includes 233807 Accu-Shot instead of 242056 Pro-Shot

† Pump support assembly includes dust cover, base, inductor plate and 6 ft (1.8 m) fluid & air hoses

# Fire-Ball 300, 50:1 Packages For 400 lb (180 kg) Containers

	Stationary Package	Topper-Inductor Package
Container Size	400 lb (180 kg)	400 lb (180 kg)
Package No.	<b>225016*</b>	<b>226013*</b>
Pump No.	239888	239888
Hose & Fitting Kit	222072	204467
Fluid Hose	6 ft (1.8 m) x 1/4 in (6.4 mm)	6 ft (1.8m) x 1/4 in (6.4 mm)
Air Hose	6 ft (1.8 m) x 3/8 in (9.5 mm)	6 ft (1.8m) x 3/8 in (9.5 mm)
Follower Plate	223845	-
Cover	200326	-
Carriage	-	204461
Elevator	-	204385
Inductor Plate	-	204353
Base	-	205339
Instruction Manual	307880	306556



*For Fire-Ball 300, 50:1 Lube Truck Packages, see page 160 and 161  
For more Inductor and Ram packages, see page 43 and 158  
\* Use 3/8 in (9.5 mm) air regulator #109075; must be ordered separately*

# Fire-Ball 425, 50:1

## Air-Operated Piston Pumps

2

### Features and Benefits

- Non-corrosive air motor design (metal parts made of SST, aluminum and chrome) for long life
- No metal-to-metal contact provides longer pump life and withstands harsh environments
- Double-acting pump provides smooth fluid flow
- Few moving parts translates into low maintenance and low cost of ownership
- Robust grease inlet cage withstands the most abusive handling

### Typical Application

- High pressure volume grease dispense
- Automotive dealerships
- Heavy duty dealerships
- Fleet service facilities
- Service shops
- In-plant
- Lube trucks
- Mining

### Typical Fluids Handled

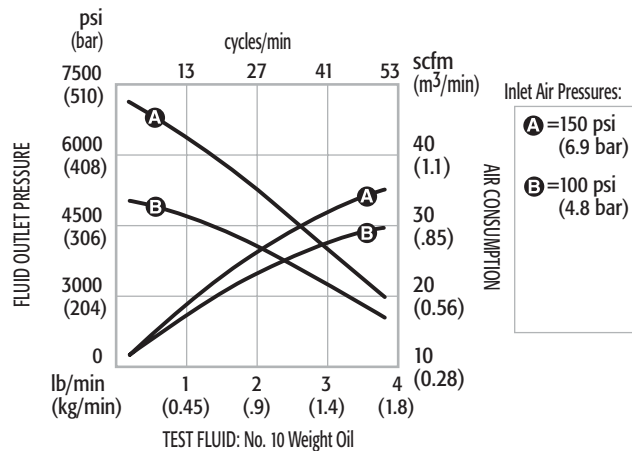
- Grease up to NLGI #2



### Technical Specifications

Maximum Fluid Pressure	7500 psi (517 bar)
Air Motor Effective Diameter	4.25 in (10.8 cm)
Operating Range	40-150 psi (2.8-10.4 bar)
Continuous Duty Flow Rate	3.35 lb/min
Approx. Air Consumption @ 70 psi (4.8 bar)	19 cfm
Air Inlet	1/2 npt (f)
Material Outlet	3/8 npt (f)
Material Inlet	slotted
Wetted Parts	CS, Leather
Instruction Manual	306674/306982

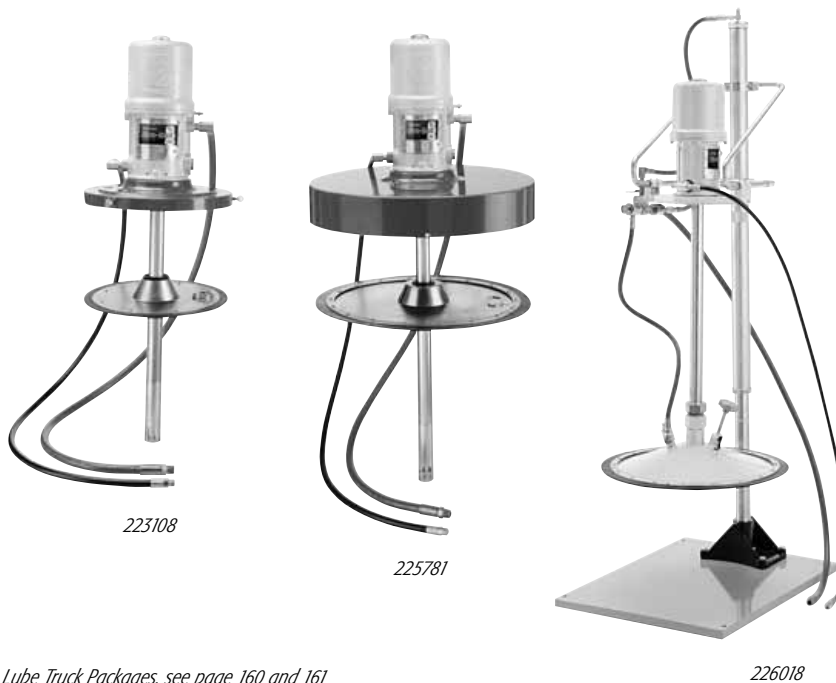
### Pump Performance



# Fire-Ball 425, 50:1 Packages

## Air-Operated Piston Pumps

	Stationary Supply Package	Stationary Supply Package	Stationary Topper-Inductor Package	Ram Package
Container Size	120 lb (55 kg)	400 lb (180 kg)	400 lb (180 kg)	400 lb (180 kg)
Package No.	<b>223108*</b>	<b>225781*</b>	<b>226018*</b>	<b>244905</b>
Pump No.	205394	205395	205395	205395
Hose Kit	222076	222076	205102	222076
Fluid Hose	6 ft x 3/8 in (1.8 m x 9.5 mm)	6 ft x 3/8 in (1.8 m x 9.5 mm)	6 ft x 3/8 in (1.8 m x 9.5 mm)	6 ft x 3/8 in (1.8 m x 9.5 mm)
Air Hose	6 ft x 1/2 in (1.8 m x 12.7 mm)	6 ft x 1/2 in (1.8 m x 12.7 mm)	6 ft x 1/2 in (1.8 m x 12.7 mm)	6 ft x 1/2 in (1.8 m x 12.7 mm)
Cover	204574	200326	-	-
Follower Plate	223344	223846	-	-
Carriage	-	-	204461	-
Elevator	-	-	204385	-
Inductor Plate	-	-	205699	-
Base	-	-	205339	-
Ram	-	-	-	207279
Air Regulator	-	-	-	244844
Adapter Plate	-	-	-	162225
Adapter Kit	-	-	-	224266
Instruction Manual	307880	307880	306556	309345



For Fire-Ball 425, 50:1 Lube Truck Packages, see page 160 and 161  
 For more Inductor and Ram packages, see page 43 and 158  
 \* Use 1/2 in (12.7 mm) air regulator #104266 and gauge #100960; must be ordered separately

# Fire-Ball 425, 75:1 Air-Operated Piston Pumps

2

## Features and Benefits

- Non-corrosive air motor design (metal parts made of SST, aluminum and chrome) for long life
- No metal-to-metal contact provides longer pump life and withstands harsh environments
- Double-acting pump provides smooth fluid flow
- Few moving parts translates into low maintenance and low cost of ownership
- Robust grease inlet cage withstands the most abusive handling

## Typical Application

- Higher pressure, medium volume grease dispense
- Automotive dealerships
- Heavy duty dealerships
- Fleet service facilities
- Service shops
- In-plant
- Lube trucks
- Mining

## Typical Fluids Handled

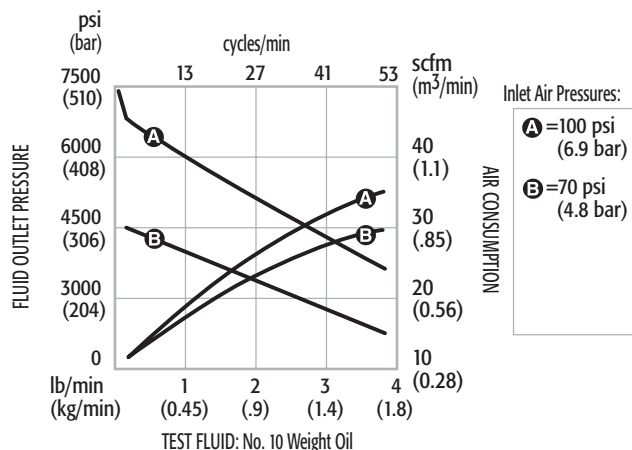
- Grease up to NGLI #2

## Technical Specifications

Maximum Fluid Outlet Pressure	7500 psi (517 bar)
Air Motor Effective Diameter	4.25 in (10.8 cm)
Operating Range	40-100 psi (2.8-7 bar)
Continuous Duty Flow Rate	1.95 lb/min
Approx. Air Consumption @100 psi (7 bar)	26 cfm
Air Inlet	1/2 npt(f)
Material Outlet	3/8 npt(f)
Material Inlet	slotted
Wetted Parts	CS, leather
Instruction Manual	308777; 306982



## Pump Performance



# Fire-Ball 425, 75:1 Packages

## Air-Operated Piston Pumps

	Cover-Mounted Package	Cover-Mounted Package	Inductor Package	Ram Package	Pail Length 35/70 lb	400 lb (180 kg) Bung or Cover
Container Size	120 lb (55 kg)	400 lb (180 kg)	400 lb (180 kg)	400 lb (180 kg)	Pail Length	400 lb (180 kg)
Package	<b>244635*</b>	<b>244636*</b>	<b>244637*</b>	<b>244906</b>		
Bare pump no.	239729	239730	239730	239730	239731	965129
Hose and Fitting Kit	222076	222076	205102	222076		
Drum Cover	204574	200326	-	-	204574	
Follower Plate	223344	223846	-	-	**	
Carriage	-	-	204461	-		
Elevator	-	-	204385	-		
Base	-	-	205339	-		
Inductor	-	-	205699	-		
Ram	-	-	-	207279		
Air Regulator	-	-	-	244844		
Adapter Plate	-	-	-	162225		
Adapter Kit	-	-	-	224266		
Instruction Manual	307880	307880	306556	309345	-	-

2

*For Fire-Ball 425, 75:1 Lube Truck Packages, see page 160 and 161*

*For more Inductor and Ram packages, see page 43 and 158*

*\* Use 1/2 in (12.7 mm) air regulator #104266 and gauge #100960; must be ordered separately*

*\*\* 35 lb: 220653 / 70 lb: 223344*



# Fire-Ball 300, 15:1 Air-Operated Piston Pumps

2

## Features and Benefits

- Non-corrosive air motor design (metal parts made of SST, aluminum and chrome) for long life
- No metal-to-metal contact provides longer pump life and withstands harsh environments
- Double-acting pump provides smooth fluid flow
- Few moving parts translates into low maintenance and low cost of ownership

## Typical Application

- Medium pressure, medium volume dispense of pourable grease
- Automotive dealerships
- Heavy duty dealerships
- Fleet service facilities
- Service shops
- In-plant
- Lube trucks
- Mining

## Typical Fluids Handled

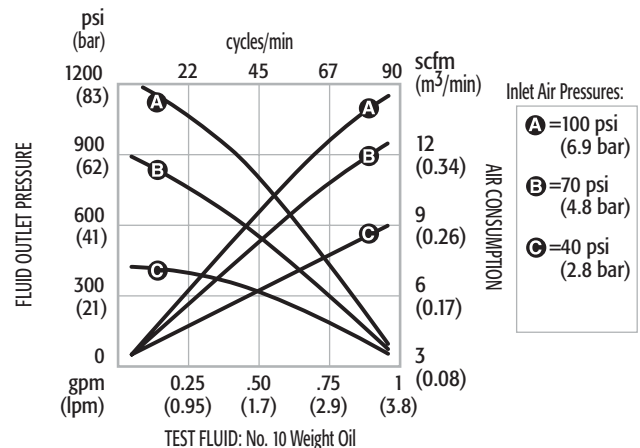
- Grease up to NGLI #0



## Technical Specifications

Maximum Fluid Pressure .....	2700 psi (186 bar)
Air Motor Effective Diameter .....	3 in (7.6 cm)
Operating Range .....	40-180 psi (2.8-12.5 bar)
Continuous Duty Flow Rate .....	0.7 gpm (2.7 lpm)
Approx. Air Consumption @100 psi (7 bar) .....	17 cfm
Air Inlet .....	3/8 npt (f)
Material Outlet .....	1/4 npt (f)
Material Inlet .....	1 npt (straight inlet)
Wetted Parts .....	CS, AL, Leather, PTFE, Rubber
Instruction Manual .....	306531

## Pump Performance



# Fire-Ball 300, 15:1 Packages

## Air-Operated Piston Pumps

	<b>Stationary Pail Dispenser</b>	<b>Stationary Drum Dispenser</b>	<b>Cover-Mounted Drum Dispenser</b>
Drum Size	35 lb (16 kg)	120 lb (55 kg)	400 lb (180 kg)
Package No.	<b>222078</b>	<b>220170</b>	<b>220171</b>
Pump No.	206405	206699	206700
Dispense Kit	222080	222081	222081
Fluid Hose	15 ft x 3/8 in (4.6 m x 9.5 mm)	25 ft x 3/8 in (7.6 m x 9.5 mm)	25 ft x 3/8 in (7.6 m x 9.5 mm)
Drum Cover	222058	204574	200326
Instruction Manual	307882	307882	307882



2

# Fire-Ball 425, 10:1

## Air-Operated Piston Pumps

---

2

### Features and Benefits

- Non-corrosive air motor design (metal parts made of SST, aluminum and chrome) for long life
- No metal-to-metal contact provides longer pump life and withstands harsh environments
- Double-acting pump provides smooth fluid flow
- Few moving parts translates into low maintenance and low cost of ownership

### Typical Application

- Low pressure, medium volume transfer of grease
- Heavy duty dealerships
- Fleet service facilities
- Service shops
- In-plant
- Lube trucks
- Mining

### Typical Fluids Handled

- Grease up to NGLI #2

### Technical Specifications

Maximum Fluid Outlet Pressure	1800 psi (124 bar)
Air Motor Effective Diameter	4.25 in (10.8 cm)
Operating Range	40-180 psi (2.8-12 bar)
Continuous Duty Flow Rate	3.5 gpm (13.3 lpm)
Approx. Air Consumption @100 psi (7 bar)	13 cfm
Air Inlet	1/2 npt(f)
Material Outlet	1 npt(f)
Material Inlet	slotted
Wetted Parts	steel, brass, aluminum, leather, Buna-N
Instruction Manual	309407



### Ordering Information

**965129** Fire-Ball 425, 10:1 pump for closed 400 lb (180 kg) head drums complete with bung adapter. For open head drum, remove bung adapter and mount to #200326, 400 lb (180 kg) drum cover. Ideal for transferring grease from 400 lb (180 kg) drum or side pocket of tote tank. Can be modified for stubby horizontal mount on tote tanks. Contact Graco technical assistance for information.

# Ram Assemblies

## Fire-Ball Grease Pumps

### Ram Systems

#### Fire-Ball Pumps

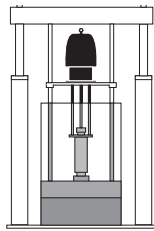
Description	Fire-Ball 300, 50:1	Fire-Ball 425, 75:1	Fire-Ball 425, 50:1	Fire-Ball 425, 10:1
System Package	*	244906	244905	*
Bare Pump	239888	239730	205395	965129
Ram	207279	207279	207279	207279
Pump Mount Kit	247336	247337	247337	247337
Adapter Kit	224267	224266	224266	not needed
Air Regulator and Gauge	203716	244844	244844	207468
Ram Plate Seal Kit	247335	247335	247335	247335

*\*Order individual components*

### Drum Systems

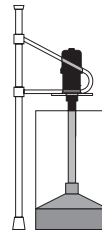
#### Ram Mount

- Force feed high volume pumps
- Extreme viscous grease
- Reduce waste
- Clean and convenient method of drum change



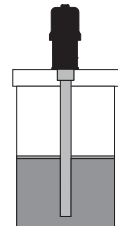
#### Inductor Mount

- Reduce waste
- Clean and convenient method of drum change



#### Cover Mount with Follower Plate

- Economical



# Grease Accessories

## Air-Operated Piston Pumps and Packages

---

2

### Dispense, Hose and Fitting Kits

#### Dispense Kits Rated To 5000 psi (345 bar) for Portable Fire-Ball 300, 50:1 or Mini Fire-Ball 225, 50:1 Pumps

- 222080** For Fire-Ball 300, 15:1  
Includes: 15 ft (4.6 m) of 3/8 in (9.5 mm) fluid hose #109165, grease dispense valve #242056, Z-Swivel #202577, 3/8 in (9.5 mm) closed nipple #156849, quick-disconnect nipple #169971, quick-disconnect air coupler #110198 and 3/8 in (9.5 mm) air regulator #110234.
- 222081** For Fire-Ball 300, 15:1  
Includes: 25 ft (7.6 m) of 3/8 in (9.5 mm) fluid hose #109167, grease dispense valve #242056, Z-Swivel #202577, 3/8 in (9.5 mm) closed nipple #156849, quick-disconnect nipple #169971, quick-disconnect air coupler #110198 and 3/8 in (9.5 mm) air regulator #110234.
- 236058** For Mini Fire-Ball 225, 50:1  
Includes: 12 ft (3.6 m) fluid hose #109151, air coupler #208536, air nipple #169971, grease dispense valve #242056, gun holder #188843 and Z-Swivel #202577. Instruction manual 307878.
- 222070** For Fire-Ball 300, 50:1  
Includes: 12 ft (3.6 m) fluid hose #109151, air coupler #208536, air nipple #169971, grease dispense valve #242056 and Z-Swivel #202577. Instruction manual 307878.
- 222383** For Portable Units Powered by the Mini Fire-Ball 225, 50:1 or Fire-Ball 300, 50:1 Pumps  
Includes: dispense kit includes: grease dispense valve #242056, 25 ft (7.6 m) fluid hose #109054, air coupler #208536, air nipple #169971 and Z-Swivel #202577. Instruction manual 307878.

#### Hose and Fitting Kits Rated to 5000 psi (345 bar) for Stationary Drum-Mounted Fire-Ball 300, 50:1 Pumps

- 222072** Hose and Fittings Kit  
Includes: 6 ft (1.8 m) air hose #203320 with swivel elbow #155494 and 6 ft (1.8 m) fluid hose #109150 with swivel elbow #155541. Instruction manual 307880.

#### Hose and Fittings Kit Rated to 4000 psi (276 bar) for Stationary Drum-Mounted Fire-Ball 425, 50:1 Pumps

- 222076** Hose and Fittings Kit  
Includes: 6 ft (1.8 m) air hose #205418 with swivel elbow #155470 and 6 ft (1.8 m) fluid hose #109163 with swivel elbow #155494. Instruction manual 307880.

### Bung Adapters

- 239965** For Fire-Ball 425, 50:1 and 75:1 Pumps, 1.65 in ID
- 239966** For Fire-Ball 300, 15:1 and 50:1 Pumps

### Lincoln-to-Graco Adapter Kit

- 241246** For Fire-Ball 300, 50:1 when replacing a Series 20 Lincoln

# Grease Accessories

## Air-Operated Piston Pumps and Packages

### Flange Mounting Accessories for Fire-Ball Pumps

**948393** Flange adapter (male) Fire-Ball 300

**948392** Flange adapter (male) Fire-Ball 425

**512874** Coupler (female)

### Follower Plates

**220653** For 35 lb (16 kg) pails with Mini Fire-Ball 225, 50:1, Fire-Ball 300, 15:1 and 50:1 pumps

**220654** For 70 lb (32 kg) and 120 lb (55 kg) drums with Mini Fire-Ball 225, 50:1, and Fire-Ball 300, 15:1 and 50:1 pumps

**223344** For 120 lb (55 kg) drums with Fire-Ball 425, 50:1 and 75:1 pumps

**223700** For 120 lb (55 kg) drums with Dyna-Star 5:1 pumps

**223845** For 400 lb (180 kg) drums with Mini Fire-Ball 225, 50:1, Fire-Ball 300, 15:1 and 50:1 pumps, 1.19 in ID

**204130** Follower plate same as #223845, but without flexible wiper

**223846** For 400 lb (180 kg) drums with Fire-Ball 425, 50:1 and 75:1 pumps, 1-13/32 in ID

**205337** Follower plate same as #223846, but without flexible wiper

**223701** For 400 lb (180 kg) drums with Dyna-Star 5:1 and Fire-Ball 425, 10:1 pumps, 2.1 in ID



220653

# Grease Accessories

## Air-Operated Piston Pumps and Packages

2

### Drum Covers

- 200326** Cover for open-head 400 lb (180 kg) drum  
Use with any Mini Fire-Ball 225, Fire-Ball grease pump or Dyna-Star 5:1 pump.  
Use with adapter #160754 for cover-mounted pumps.
- 204574** Cover for open-head 120 lb (55 kg) or 70 lb (32 kg) drums  
Mounts Mini Fire-Ball 225, Fire-Ball grease pumps or Dyna-Star 5:1 pump.  
Use with adapter #160754 for cover-mounted pumps.
- 222059** Cover for 35 lb (16 kg) pails  
Mounts Mini Fire-Ball 225, 50:1 and Fire-Ball 300, 50:1 pumps using friction-style clutch lock. Allows use of 70 lb (32 kg) length pump with 35 lb (16 kg) pail.
- 160754** Bung-adapter plate  
Mounts to standard 400 lb (180 kg) or 120 lb (55 kg) drum cover and converts mounting to standard 2 npt bung opening. Allows use of bung-mounted pumps with drum covers.



200326



204574



222059



160754

# Grease Accessories

## Air-Operated Piston Pumps and Packages

### Portable Bases

- 205054** Band Dolly for 35 lb (16 kg) pails
- 204144** Band Dolly Base for 70 lb (32 kg) or 120 lb (55 kg) drums
- 203622** Caster Base for 35 lb (16 kg), 70 lb (32 kg) or 120 lb (55 kg) drums



204144



203622

### Carts

- 203650** For 35 lb (16 kg), 70 lb (32 kg) and 120 lb (55 kg) drums  
Drums fit onto recess on formed base. Rim clamps secure drum onto cart.  
Use with pail clamp #159952 when using cart with 35 lb (16 kg) pails.
- 222243** For 120 lb (55 kg) drums with pneumatic wheels for rough terrain.
- 111470** Drum truck for 400 lb (180 kg) drums  
Heavy-duty drum truck secures drum onto roll-around base.



203650



111470

### Drum Elevators

- 241663** Air-Powered Elevator to speed drum changes  
Maximum raised height: 39.5 in (100.33 cm)  
Includes: Cover Support 207562  
Drum Elevator 204385  
Air Control Kit 207561



241663

### Air Shut-Off Valves, Bleed-type, rated to 250 psi (17.4 bar)

- 110223** 1/4 in (6.4 mm)
- 110224** 3/8 in (9.5 mm)
- 110225** 1/2 in (12.7 mm)
- 110226** 3/4 in (19.1 mm)

### High-Pressure Grease Shut-Off Valves

- 202869** 5000 psi (345 bar) high-pressure needle valve  
1/2 npt(f) ported valve for drop-line isolation.



202869



# Grease Pumps

## Quick Reference

2

### Grease Pumps

Model Pump Ratio	35 lb (16 kg)	70 lb (31 kg)	120 lb (55 kg)	400 lb (180 kg)	Typical Application	Wetted Parts	Max Fluid Outlet Pressure
<b>Mini Fire-Ball 225</b>							
50:1	246909	N/A	246780	246781	High-pressure grease dispense	Steel Buna-N Delrin Brass	8400 psi (578 bar)
<b>Fire-Ball 300</b>							
15:1	206405	206405	206699	206700	Medium-pressure grease dispense	CS Leather	2700 psi (186 bar)
50:1	239877	N/A	239887	239888	High-pressure grease dispense	CS/Delrin Polyurethane Buna-N	8400 psi (579 bar)
<b>Fire-Ball 425</b>							
10:1	**	**	N/A	965129	High-pressure grease dispense	CS Leather	1800 psi (124 bar)
50:1	N/A	N/A	205394	205395	High-pressure grease dispense	CS Leather	7500 psi (517 bar)
75:1	239731	239731	239729	239730	High-pressure grease dispense	CS Leather	7500 psi (517 bar)

\*\*Contact Graco customer support for details on stubby mounting on tote tanks

### Mounting Accessories†

Pump	Mini Fire-Ball 2250	Fire-Ball 300	Fire-Ball 425	Fire-Ball 425
Ratio	50:1	50:1	50:1	75:1
Cover 35 lb (16 kg)	222058	222058	N/A	204574
Cover 70 lb (32 kg)	204574	204574	N/A	204574
Cover 120 lb (55 kg)	204574	204574	204574	204574
Cover 400 lb (180 kg)	200326	200326	200326	200326
Follower Plate 35 lb (16 kg)	220653	220653	N/A	220653
Follower Plate 70 lb (32 kg)	220654	220654	N/A	223344
Follower Plate 120 lb (55 kg)	220654	220654	223344	223344
Follower Plate 400 lb (180 kg)	223845	223845	223846	223846
Hose & Fittings Kit	222072 (6 ft [1.8 m])	222072 (6 ft [1.8 m])	222076 (6 ft [1.8 m])	222076 (6 ft [1.8 m])
Dispense Kit	236058 (12 ft [3.7 m]) 222838 (25 ft [7.6 m])	222070 (12 ft [3.7 m]) 222383 (25 ft [7.6 m])	N/A	N/A
Air Regulator & Gauge	109075	109075	104266/100960	104266/100960
Air Filter	106148	106148	106149	106149
Air Lubricator	N/A	214847	214848	214848
FRL*	N/A	110150	217072	217072

\*Filter, regulator, lubricator and gauge

†See page 47-49 for bung adapters and flange accessories

Air Operating Range	Continuous Duty Flow Rate	Max. Rec. CPM	Approx. Air Consumption	Air Inlet NPT	Material Out NPT	Material Inlet
40-140 psi (3-10 bar)	0.319 lb/min (0.15 kg/min)	95	15 cfm	3/8(f)	1/4(f)	slotted
40-180 psi (2.8-12.5 bar)	0.7 gpm (2.7 lpm)	60	17 cfm	3/8(f)	1/4(f)	slotted
30-140 psi (2.1-9.7 bar)	1.19 lb/min (0.54 kg/min)	76	23 cfm	3/8(f)	1/4(f)	slotted
40-180 psi (2.8-12.5 bar)	3.5 gpm (13.3 lpm)	60	30 cfm	1/2(f)	3/4(f)	slotted
40-180 psi (2.8-12.4 bar)	3.35 lb/min (1.52 kg/min)	100	19 cfm	1/2(f)	3/8(f)	slotted
40-100 psi (2.8-12.4 bar)	2.9 lb/min (1.3 kg/min)	60	26 cfm	1/2(f)	3/8(f)	slotted

Fire-Ball 300	Fire-Ball 425**
15:1	10:1
204574	N/A
204574	N/A
204574	N/A
200326	200326
N/A	N/A
N/A	N/A
N/A	N/A
N/A	223701
N/A	N/A
222080 (15 ft [4.6])	N/A
222081 (25 ft [7.6 m])	
109075	104266/100960
106148	106149
214847	214848
110150	217072

\*\*Contact Graco customer support for details on stubby mounting on tote tanks



---

# Table of Contents

## Electrical Powered Pumps

---

APEX Electric Dispense Systems for oil .....	52-54
Hurricane Electric Dispense Systems for oil .....	55-56
Blue Devil Fuel Transfer Pumps .....	57-58

# APEX™

## Electrical Powered Pumps

3

### APEX Oil Transfer Pumps

#### Features and Benefits

- Available with 12 VDC, 115 VAC and 230 VAC electric motors
- TENV electric motor for demanding environments, models 260105, 260106, 260108 and 260109
- Self priming, positive displacement design
- Pumps petroleum and synthetic based lubricants up to 8 gpm (30 lpm)
- Built in bypass valve
- Transfer used oil with inlet suction screen (260306)
- System includes suction tube, fluid hose, dispense valve and bung adapter for models 260100, 260101, 260102 and 260104



*APEX 115 VAC oil transfer system*

### APEX On-Demand Dispensing Pumps

#### Features and Benefits

- Available in 12 VDC and 115 VAC
- On-demand pressure sensing system starts and stops the pump
- TENV electric motor for demanding environments
- Extremely quiet pump operation
- Output flow is continuous and non-pulsating
- Low operating and installation costs
- Inlet and outlet check valves with thermal relief valves included



*APEX 12 volt DC on-demand dispensing pump*

#### Typical Application

- Filling bulk tanks from drums
- Lubricant transfer from remote locations
- Construction equipment
- Automotive and truck service garages
- Agricultural equipment
- Filling in-plant machinery
- Evacuating used oil receivers
- Fleet marine and personal boat service

#### Typical Fluids Handled

- Synthetic oil
- Used oil\*
- Hydraulic fluids
- Liquid soap
- Oil based herbicide carriers
- Petroleum oil\*
- Anti-freeze
- Cutting oils
- Non-flammable oil based solvents

*\*Not for food grade use*

# APEX

## Electrical Powered Pumps

### APEX Oil Transfer System

Part No.	260100	260101	260102*	260104
Motor	12 VDC	115 VAC	115 VAC	230 VAC
Hertz	NA	60 Hz	60 Hz	50/60 Hz
Horsepower	0.75	0.50	0.75	0.50
Max. current	35 amps	9.2 amps	9.0 amps	3.9 amps
Max. flow rate	5.8 gpm (22 lpm)	4.25 gpm (16 lpm)	8.0 gpm (30 lpm)	4.25 gpm (16 lpm)
Max. pressure	65 psi (4.5 bar)	65 psi (4.5 bar)	30 psi (2.1 bar)	65 psi (4.5 bar)
Inlet port	1 npt(f)	1 npt(f)	1 npt(f)	1 npt(f)
Outlet port	3/4 npt(f)	3/4 npt(f)	3/4 npt(f)	3/4 npt(f)
Weight	34 lbs (15 kg)	25 lbs (11 kg)	25 lbs (11 kg)	25 lbs (11 kg)
Instruction manual	311305	311305	311305	311305

Note: All oil transfer systems come with 3/4 in x 8 ft hose, 1 in x 34 in suction tube and 3/4 in outlet dispense valve

\*Designed for fluid viscosities of 1000 centistokes or less. If fluid viscosity is greater than 1000 centistokes use part number 260101.

### APEX Oil Transfer Pumps

Part No.	260105*	260106	260108	260109
Motor	115 VAC	115 VAC	115 VAC	115 VAC
Hertz	60 Hz	60 Hz	60 Hz	60 Hz
Horsepower	0.75	0.75	0.75	1.00
Max. current	7.5 amps	7.5 amps	9.0 amps	11.0 amps
Max. flow rate	3.0 gpm (11 lpm)	3.0 gpm (11 lpm)	4.0 gpm (15 lpm)	8.0 gpm (30 lpm)
Max. pressure	150 psi (10 bar)	150 psi (10 bar)	150 psi (10 bar)	150 psi (10 bar)
Inlet port	1 npt	1 npt	1 npt	1 npt
Outlet port	3/4 npt	3/4 npt	3/4 npt	3/4 npt
Weight	25 lb (11 kg)	25 lb (11 kg)	25 lb (11 kg)	30 lb (14 kg)
Instruction manual	311306	311306	311306	311306

Note: All oil transfer pumps come with bung adapter.

\*Part no. 260105 is a wall mount unit

### APEX On-Demand Pumps

Part No.	260110	260111	260113	260114	260112
Voltage	115 VAC	115 VAC	115 VAC	115 VAC	12 VDC
Hertz	60 Hz	60 Hz	60 Hz	60 Hz	N/A
Horsepower	0.75	1.00	1.50	2.00	0.75
Max. current	10 amps	13 amps	18 amps	21 amps	75 amps
Max. flow rate	2.3 gpm (9 lpm)	3 gpm (11 lpm)	4.0 gpm (15 lpm)	4.0 gpm (15 lpm)	3 gpm (11 lpm)
Max. pressure	370 psi (25 bar)	550 psi (38 bar)	470 psi (32 bar)	650 psi (45 bar)	400 psi (28 bar)
Inlet port	3/4 npt	3/4 npt	3/4 npt	3/4 npt	3/4 npt
Outlet port	-12 JIC (m)	-12 JIC (m)	-12 JIC (m)	-12 JIC (m)	-12 JIC (m)
Weight	27 lb (12 kg)	32 lb (15 kg)	41 lb (19 kg)	52 lb (24 kg)	27 lb (12 kg)
Instruction manual	311307	311307	311307	311307	311307

Note: All on-demand pumps come with bung adapter

# APEX

## Electrical Powered Pumps

### Ordering Information

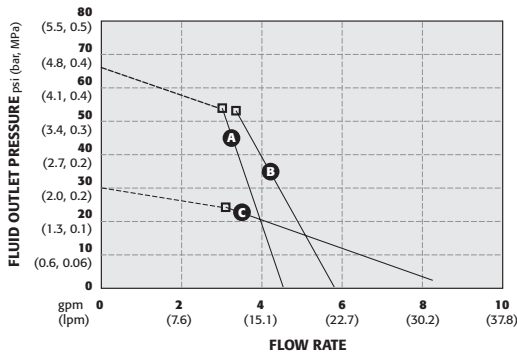
- 260415 Oil Meter**  
3/4" npt inlet and outlet ports. Displays in quarts.
- 260145 Wall Mounting Bracket**  
Fits all models
- 260238 "Y" Strainer**  
3/4" npt female in-line strainer for used oil transfer
- 260306 Inlet Suction Screen Assembly**  
Required for used oil applications, 20 mesh screen
- 260124 55 in (1.3 m) PVC Suction Tube**  
With inlet check valve



Graco Oil Meter – 260415

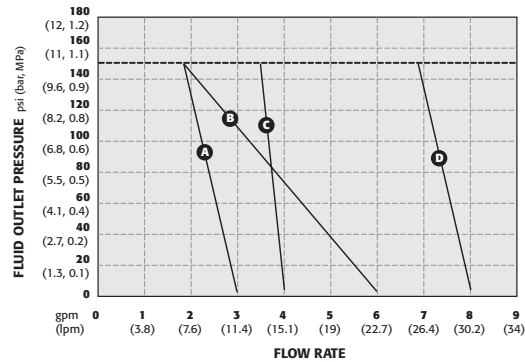
### Performance Charts

#### Oil Transfer System



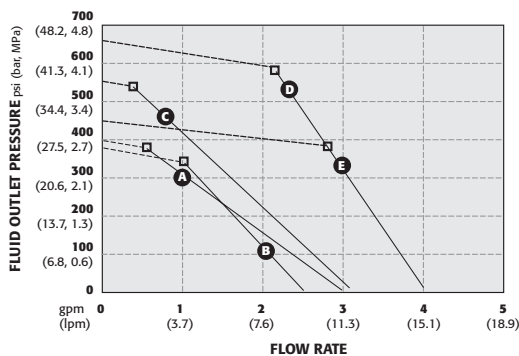
PART NUMBERS	LEGEND
(A)=260101, 260104	Relief valve opens □
(B)=260100	
(C)=260102	

#### Oil Transfer Pumps



PART NUMBERS	LEGEND
(A)=260105, 260106	Relief valve -----
(B)=260108	setting at 150 psi
(C)=260240	(10.3 bar, 1.0 MPa)
(D)=260109	

#### On-Demand Pumps



PART NUMBERS	LEGEND:
(A)=260112	(D)=260114
(B)=260110	(E)=260113
(C)=260111	Pressure switch opens □

# Hurricane™

## Electric Dispense System for Oil

---

### Features and Benefits

- Electric pump with 6 ft (1.8 m) grounded power cord
- Digital metering standard on all units
- Quick-change bung adapter
- Pumps synthetic or petroleum based oils, ATF and antifreeze (up to 50/50 mix)
- Simple two button operation
- Fits any container up to 44 in (1.1 m) tall with a 2 in NPT opening
- Measures in quarts, gallons, pints or liters
- Available with 8 ft or 25 ft (2.4 m or 7.6 m) meter and hose or built-in tapper
- Variety of portable package options

### Typical Fluids Handled

- Synthetic Oil
- Petroleum Based Oils
- ATF
- Antifreeze (up to 50/50 mix)



*234902 and 249294  
Hurricane with meter & hose*



# Hurricane

## Electric Dispense Systems for Oil

3

### Technical Specifications

Voltage .....	110 Volts / 60 Hz
Maximum current .....	6 Amps
Flow rate .....	1.50 gpm (6.0 lpm)
Maximum container height .....	44 in (1.1 m)
Weight (varies by model) .....	up to 20 lbs (9 kg)
Meter accuracy .....	± 1.5%
Instruction manual .....	311216

ETL Listed in US and Canada

### Ordering Information

#### Hurricane Dispense Systems

- 248918** Hurricane metered tapper unit
- 234902** Hurricane 8 ft (2.4 m) hose and meter
- 249294** Hurricane 25 ft (7.6 m) hose and meter

#### Portable Packages with 25 Gallon Dispense Cart

- 249783** Hurricane metered tapper unit
- 249771** Hurricane 8 ft (2.4 m) hose and meter
- 249821** Hurricane 25 ft (7.6 m) hose and meter

#### Portable Packages for 16 Gallon (60 l) Barrels

- 253487** Hurricane caster base with metered tapper
- 253486** Hurricane caster base with 8 ft (2.4 m) hose and meter
- 253494** Hurricane caster base with 25 ft (7.6 m) hose and meter

#### Accessories

- 253683** Hurricane caster base



234902 and 249294  
Hurricane with meter & hose

248918  
Hurricane tapper unit

249771 and 249821  
Portable package with  
25 gallon dispense cart

253486 and 253494  
Portable package  
16 gallon barrel not included

# Blue Devil™

## Electrical Powered Pumps

---

### Features and Benefits

- Heavy duty, die-cast aluminum
- CSA listed motor
- Built-in relief valve and filter strainer
- Easy-to-lock security
- High quality, UV resistant automotive finish
- Rain proof for extreme weather conditions
- Two year warranty

### Typical Application

- Fuel transfer for the construction, agriculture, manufacturing and marine industries

### Typical Fluids Handled

- Gasoline
- Diesel fuel
- Kerosene
- Bio-fuels



*"One Wicked Pump!"*

3

# Blue Devil

## Fuel Transfer Pumps

3

Part No.	260000	260020	260025	260022
Voltage	12 VDC	24 VDC	115 VAC	230 VAC
Inlet Port	1 npt	1 npt	1 npt	1 npt
Outlet Port	3/4 npt	3/4 npt	3/4 npt	3/4 npt
Current	12 amps	6 amps	1.7 amps	1 amps
Power Cord	18 ft (5.5 m)	18 ft (5.5 m)	N/A	N/A
Hose	3/4 in x 12 ft (19 mm x 3.7 m)	3/4 in x 12 ft (19 mm x 3.7 m)	3/4 in x 12 ft (19 mm x 3.7 m)	3/4 in x 12 ft (19 mm x 3.7 m)
Suction Tube	1 in x 34 in (25 mm x 0.9 m)	1 in x 34 in (25 mm x 0.9 m)	1 in x 34 in (25 mm x 0.9 m)	1 in x 34 in (25 mm x 0.9 m)
Weight	20 lbs (9 kg)	20 lbs (9 kg)	20 lbs (9 kg)	20 lbs (9 kg)
Max Fluid Flow	10 gpm (38 lpm)	10 gpm (38 lpm)	12 gpm (45 lpm)	12 gpm (45 lpm)
Instruction Manual	311304	311304	311304	311304

### Accessories

#### Blue Devil Kit

Includes pump, fuel nozzle, bung adapter, 34 in (0.9 m) suction tube, 12 ft (3.7 m) grounded hose, elbow fitting, 18 ft (5.5 m) power cable, wire nuts and strain relief\*

*\*AC units do not include power cable, wire nuts or strain relief*

- 260078** Unleaded nozzle
- 260083** Unleaded nozzle with auto shut-off
- 260079** Regular/diesel nozzle
- 260521** Regular/diesel nozzle with auto shut-off
- 260523** 8 ft x 3/4 in (2.4 m) npt UL Listed hose
- 260071** 12 ft x 3/4 in (3.7 m) npt UL Listed hose



Blue Devil Kit



260083

---

# Table of Contents

# Hydraulically-Powered Pumps

---

Dyna-Star, Power-Star and  
Viscount II Pumps ..... 60-62

# Hydraulically-Powered Pumps For Oil and Grease Applications

---

## Features and Benefits

- Ties into existing hydraulic systems on mobile equipment
- Operates quieter than air driven pumps and doesn't require mufflers
- Eliminates the need for air compressors
- Provides self-lubrication for long life and reliability
- Hydraulic changeover is faster with less pulsation allowing smoother output pressure, even with long plumbing runs

4

## Typical Application

- Low pressure, high volume oil transfer
- High pressure, high volume grease dispense
- Heavy duty dealerships
- Fleet service facilities
- Service shops
- In-plant
- Lube trucks
- Mining

## Typical Fluids Handled

- Petroleum and synthetic based oils
- Grease up to NGLI #2



# Hydraulically-Powered Pumps For Oil Applications

	Power-Star™ 1:1	Dyna-Star® 1:1	Dyna-Star 1:1	Dyna-Star 1/4:1	Stainless Steel Dyna-Star 1:1
Drum Size	Universal	Universal	55 gal (200 l) Bung- or Cover-Mounted	Universal	Universal
Pump No.	<b>236754</b>	<b>224741</b>	<b>224742</b>	<b>236753</b>	<b>237653</b>
Maximum Hydraulic Input Pressure	1500 psi (102 bar)	1500 psi (102 bar)	1500 psi (102 bar)	1500 psi (102 bar)	1500 psi (102 bar)
Maximum Hydraulic Fluid Input Vol.	12 gpm (45.4 lpm)	3 gpm (11.4 lpm)	3 gpm (11.4 lpm)	3 gpm (11.4 lpm)	3 gpm (11.4 lpm)
Maximum Output Flow Rate	12 gpm (45.4 lpm)	3 gpm (11.4 lpm)	3 gpm (11.4 lpm)	10 gpm (37.9 lpm)	3 gpm (11.4 lpm)
Maximum CPM	60	60	60	60	60
Maximum Fluid Output Pressure	1500 psi (102 bar)	1500 psi (102 bar)	1500 psi (102 bar)	375 psi (25.1 bar)	1500 psi (102 bar)
Hydraulic Supply Inlet	3/4 npt	3/8 npt	3/8 npt	3/8 npt	3/8 npt(f)
Hydraulic Return Outlet	1-1/4 npt	3/4 npt	3/4 npt	3/4 npt	3/4 npt(f)
Fluid Outlet	1/2 npt	1/2 npt	1/2 npt	1/2 npt	1/2 npt(f)
Fluid Inlet	1-1/2 npt	1-1/2 npt	1-1/2 npt	1-1/2 npt	1-1/2 npt
Maximum Incoming Hydraulic Fluid Temp.	130° F (54° C)	130° F (54° C)	130° F (54° C)	130° F (54° C)	130° F (54° C)
Instruction Manual	308391	308155	308155	308390	308155
Applications	Bulk oil transfer	Oil dispensing	Oil dispensing	Bulk oil transfer	Anti-freeze dispensing

4



236754



224741

## Hydraulic Fluid Controls (Required for each Hydraulic Pump)

- 236864** Dyna-Star Fluid Controls [1500 psi (126 bar); 3 gpm (11.4 lpm)]. Includes manifold with pressure-reducing valve, flow control valve, pressure gauge, shut-off ball valves and 3 ft (0.9 m) supply and return hoses. Instruction manual 308395.
- 236865** Power-Star Fluid Controls [1500 psi (126 bar); 12 gpm (45.4 lpm)]. Includes manifold with pressure-reducing valve, flow control valve, pressure gauge, shut-off ball valves and 3 ft (0.9 m) supply and return hoses. Instruction manual 308395.
- 237904** 1:1 Dyna-Star Thermal Relief Valve [1600 psi (110 bar)]

For complete packages, see pages 158-159

# Hydraulically-Powered Pumps For Grease Applications

	Dyna-Star 5:1	Dyna-Star 5:1	Dyna-Star 5:1	Viscount II 2.4:1
Drum Size	35 lb (16 kg)	120 lb (55 kg)	400 lb (180 kg)	400 lb (180 kg)
Pump No.	<b>224912</b>	<b>224751</b>	<b>224752</b>	<b>222902</b>
Maximum Hydraulic Input Pressure	1500 psi (102 bar)	1500 psi (102 bar)	1500 psi (102 bar)	1500 psi (105 bar)
Maximum Hydraulic Fluid Input Vol.	3 gpm (11.4 lpm)	3 gpm (11.4 lpm)	3 gpm (11.4 lpm)	7.5 gpm (28.5 lpm)
Max Flow Output Rate	4 lb/min (1.8 kg)	4 lb/min (1.8 kg)	4 lb/min (1.8 kg)	9 lb/min (4.1 kg)
Maximum CPM	60	60	60	60
Maximum Fluid Output Pressure	7500 psi (517 bar)	7500 psi (517 bar)	7500 psi (517 bar)	2300 psi (159 bar)
Hydraulic Supply Inlet	3/8 npt	3/8 npt	3/8 npt	3/4 npt
Hydraulic Return Outlet	3/4 npt	3/4 npt	3/4 npt	1 npt
Fluid Outlet	1/2 npt	1/2 npt	1/2 npt	1-1/2 npt
Maximum Incoming Hydraulic Fluid Temp.	130° F (54° C)	130° F (54° C)	130° F (54° C)	130° F (54° C)
Instruction Manual	308156	308156	308156	308149

4

## Accessories

### Follower Plates

- 224916** Follower plate for 35 lb (16 kg)
- 223700** Follower plate for 120 lb (55 kg)
- 223701** Follower plate for 400 lb (180 kg)

### Covers

- 224915** Cover for 35 lb (16 kg)
- 204574** Cover for 120 lb (55 kg)
- 200326** Cover for 400 lb (180 kg)

### Tie-Down Covers

- 222060\*** Tie-Down Cover for 120 lb (55 kg)
- 207366\*\*** Tie-Down Cover for 400 lb (180 kg)

\* Use with hold-down kit #222061

\*\*Use with hold-down kit #207361

---

# Table of Contents

## Transfer Pumps

---

Fast-Flo (Stainless Steel) .....	64-65
Air-Operated Double-Diaphragm .....	66-67
Notes .....	68



# Fast-Flo<sup>®</sup> 1:1 Transfer Pumps

## Features and Benefits

- Stainless steel models available for corrosion resistance
- Differential air motor for smooth operation and reliability

## Typical Application

- Low pressure, high volume transfer of low viscosity fluids
- Automotive dealerships
- Heavy duty dealerships
- Fast lube centers
- Fleet service facilities
- Service shops
- In-plant
- Lube trucks
- Mining

## Typical Fluids Handled

- Water
- Anti-freeze
- Windshield wash fluid
- Used Oil
- Used Anti-freeze

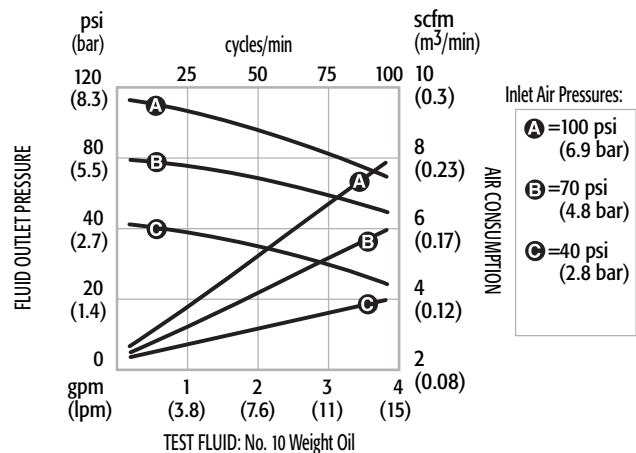
See page 8 and 9 for Fast-Ball 1:1 petroleum-based products.

## Technical Specifications

Minimum Operating Air Pressure	40 psi (2.8 bar, 0.28 MPa)
Maximum Operating Air Pressure	180 psi (12.4 bar, 1.24 MPa)
Max Operating Air Pressure for #226951	60 psi (4.2 bar, 0.42 MPa)
Maximum Fluid Working Pressure	180 psi (12.4 bar, 1.24 MPa)
Effective Air Motor Diameter	1.4 in (35.6 mm)
Air Inlet	1/4 npt(f)
Fluid Inlet Size (for universal pumps)	1-1/2 npt(f)
Fluid Outlet Size	3/4 npt(f)
Flow Rate	5 gpm (19 lpm)
Maximum Operating Temperature	120°F (49°C)
Weight (all models except #226951)	11 lb (5 kg)
Weight for #226951	20 lb (9 kg)
Instruction Manual	307427



## Pump Performance



# Fast-Flo 1:1 Transfer Pumps

## Ordering Information for Fast-Flo 1:1 Universal-Length Pumps\*

\*Includes motor and pump-lower assembly

Order No.	226948	226952	237130	237131	237132	226943*	226944**	226945**	
<b>Accessories</b>									
Material of Construction	CS	SST	CS	CS	SST	CS	CS	SST	
Standard Seal Repair Kits									
Kit Order No.	218112	218112	213012	213013	213013	213012	215964	215964	
Material of Construction	Rubber	Rubber	Leather	PTFE	PTFE	Leather	Polyethylene	Polyethylene	
Typical Fluids	Motor Oil	Motor Oil	Motor Oil	Motor Oil	Motor Oil	Motor Oil	Motor Oil	Anti-freeze, Windshield Wash	

(Note: All seal repair kits are interchangeable with other Fast-Flo pumps.)

## Ordering Information for Fast-Flo 1:1 Drum-length Pumps (includes motor and pump-lower assembly)

Order No.	226947	226951†	226953	237133	237134	237129	226940	226941	226942
<b>Accessories</b>									
Material of Construction	CS	CS	SST	CS	CS	SST	CS	CS	SST
Standard Seal Repair Kits									
Kit Order No.	218112	218112	218112	213012	213013	213013	213012	215964	215964
Material of Construction	Rubber	Rubber	Rubber	Leather	PTFE	PTFE	Leather PTFE/Leather	Polyethylene UHMWPE	Polyethylene UHMWPE
Typical Fluids	Motor Oil	Motor Oil	Motor Oil	Motor Oil	Motor Oil	Motor Oil	Motor Oil	Motor Oil	Anti-freeze, Windshield Wash

(Note: All seal repair kits are interchangeable with other Fast-Flo pumps.)

## Motor Service Kits for all Fast-Flo 1:1

**220168** Air Valve Piston Assembly  
(used with repair kit #214584, which must be ordered separately)

\* UL-listed

\*\* UL-listed and CE-marked

† Adjustable down tube length between 18 in (457 mm) to 46.4 in (1180 mm)

# Diaphragm Pumps

## Transfer Pumps

### Quick Reference

Body / Diaphragm Description	Part Number	Ratio	Max. Air psi (bar)	Typical Application	Free Flow Rate gpm (lpm)	Max. Rec CPM
<b>307 3/8" Diaphragm Pump</b>						
Acetal / Hytrel	D31255	1:1	100 (7)	OT, WA, WWS*	7 (31.8)	330
<b>515/716 3/4" Diaphragm Pump</b>						
Aluminum / Buna N	241906	1:1	100 (7)	OT, OE, WA, WWS	16 (60.6)	400
Acetal / Buna Dual Inlet	243669	1:1	100 (7)	50/50 WWS, WA	16 (60.6)	400
<b>1040 1" Diaphragm Pump</b>						
Aluminum / Hytrel	D73525	1:1	120 (8.3)	OT, WA, OE	40 (151.4)	276
Aluminum / Hytrel (UL)	236265	1:1	120 (8.3)	OE, FT**, WA	40 (151.4)	276
Aluminum / Hytrel (UL)	236267	1:1	50 (3.4)	FD**	20 (75.7)	130
<b>1590 1-1/2" Diaphragm Pump</b>						
Aluminum / Hytrel	DB3525	1:1	120 (8.3)	OT, OE, WA	90 (340.6)	200
<b>2150 2" Diaphragm Pump</b>						
Aluminum / Hytrel	DF3525	1:1	120 (8.3)	OT, OE, WA	150 (567)	145
<b>3275 3" Diaphragm Pump</b>						
Aluminum / Hytrel	DK3525	1:1	120 (8.3)	OT, OE, WA	275 (1,041)	135

5

Body / Diaphragm Description	Air Consumption SCFM	Air Inlet NPT	Fluid Inlet/Outlet NPT	Air Motor Kit	Kits (Seats Balls, Diaphragms)	Diaphragm Kit	Manual No.
<b>307 3/8" Diaphragm Pump</b>							
Acetal / Hytrel	7	1/4	3/8	239952	D03255	D03005	308553
<b>515/716 3/4" Diaphragm Pump</b>							
Aluminum / Buna N	28	1/4	3/4	241657	D05277	D05007	308573
Acetal / Buna Dual Inlet	28	1/4	3/4	241657	D05277	D05007	
<b>1040 1" Diaphragm Pump</b>							
Aluminum / Hytrel	40	1/2	1	236273	D07525	D07005	308326
Aluminum / Hytrel (UL)	40	1/2	1	236273	D07525	D07005	and
Aluminum / Hytrel (UL)	20	1/2	1	236273	D07525	D07005	308479
<b>1590 1-1/2" Diaphragm Pump</b>							
Aluminum / Hytrel	90	1/2	1-1/2	236273	D0B525	D0B005	308441
<b>2150 2" Diaphragm Pump</b>							
Aluminum / Hytrel	175	1/2	2	236273	D0F525	D0F005	308368
<b>3275 3" Diaphragm Pump</b>							
Aluminum / Hytrel	325	3/4	3	238765	D0K525	D0K005	308639

#### Key

- OT = Oil Transfer
- OE = Oil Evacuation
- WA = Water, Anti-freeze
- FD = Fuel Dispense (with 50 psi relief valve)
- FT = Fuel Transfer
- WWS = Windshield Wash Solution

Note: See page 149 for other diaphragm pump packages

\* See page 139 for windshield wash solution 307 Package 237160.

\*\* For use with leaded fuel

# Diaphragm Pumps

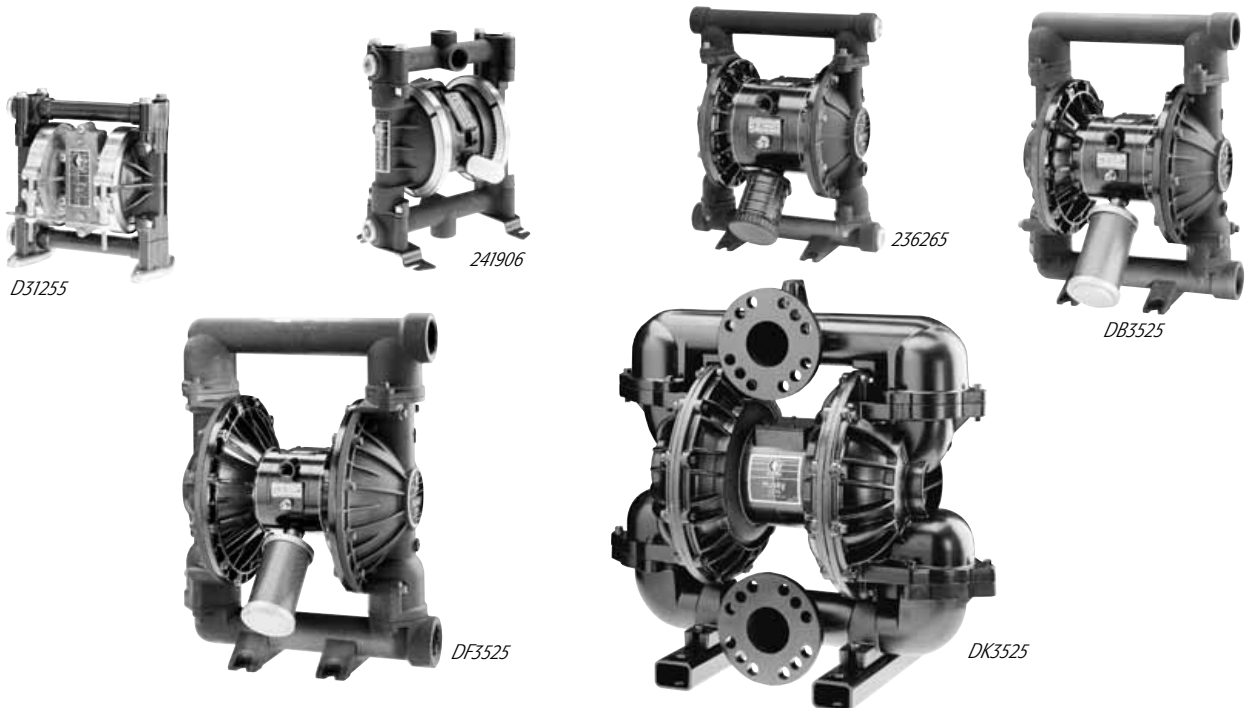
## Transfer Pumps

### Mounting Accessories

Pump	307	515/716	1040	1590	2150	3275
Air Line Filter	110146	110146	106148	106149	106150	106150
Air Regulator & Gauge	110147	110147	244844	202858	206199	207651
Air Quick-Connect Coupler	208536 1/4 npt (f)	208536 1/4 npt (f)	110199 1/2 npt (f)	110199 1/2 npt (f)	110199 1/2 npt (f)	N/A
Air Quick-Connect Nipple	169970 1/4 npt (m)	169970 1/4 npt (m)	110196 1/2 npt (m)	110196 1/2 npt (f)	110196 1/2 npt (f)	N/A
Bleed Type Air Valve	110223	110223	110224	110225	110225	110226
Wall Bracket	224835	224835	189233	N/A	N/A	N/A
Thermal Relief Kit	238899	238428	238428	N/A	N/A	N/A
Thermal Relief Valves	113497 al/bn 150 psi (10.3 bar)	113497 al/bn 112119 ss/ff	113497 al/bn 112119 ss/ff	113497 al/bn 112119 ss/ff	113497 al/bn 112119 ss/ff	113497 al/bn 112119 ss/ff
Grounding Wire and Clamp	222011	222011	222011	222011	222011	222011
Suction Hose Kit	236054	236054	236054	N/A	N/A	N/A
Flange Adapter Kit	N/A	N/A	N/A	N/A	N/A	N/A
Dual Inlet Manifold	N/A	*	685984**	N/A	N/A	N/A
Instruction Manual	308553	308573 and 308981	308326 & 308479	308441	308368	308639

\*243669 comes with dual inlet, see page 58

\*\*Dual inlet must be ordered separately for 685984





---

# Table of Contents

## Manual Oil and Grease Pumps

---

Manual Oil and Grease Pumps .....	70-73
Notes .....	74

# Manual Oil Pumps

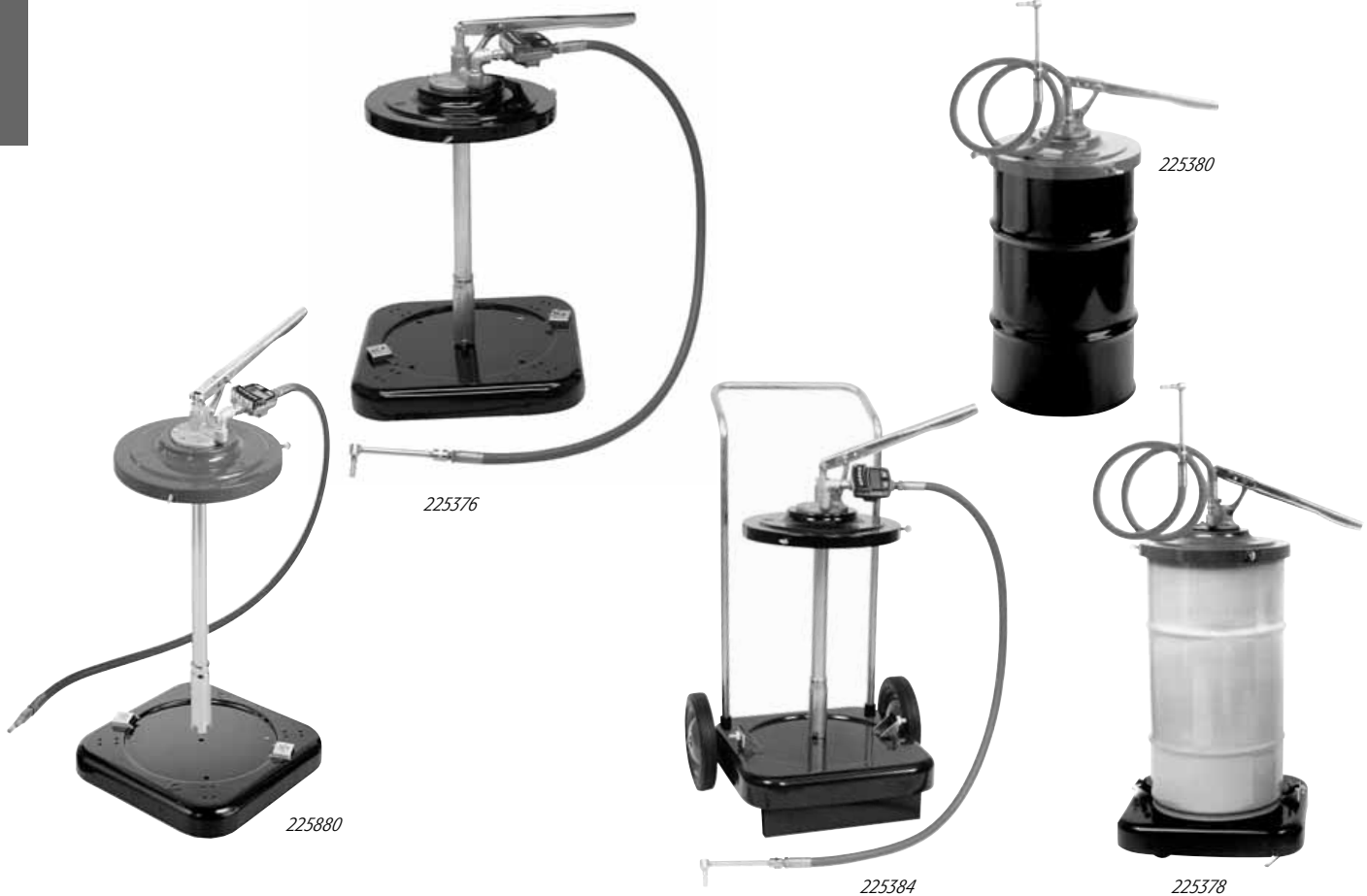
## Manual Oil and Grease Pumps

### 16 gal (60 l) Metered and Non-Metered Dispensing Packages

*Designed for manual dispensing of fluid oil from bulk containers to point of application.*

Description	Portable Metered ATF Dispenser	Portable Metered Gear Lube Dispenser	Cart-Mounted Metered Gear Lube Dispenser	Stationary Non-Metered Gear Lube Dispenser	Portable Non-Metered Gear Lube Dispenser
Package No.	<b>225880</b>	<b>225376</b>	<b>225384</b>	<b>225380</b>	<b>225378*</b>
Pump No.	204867	204867	204867	204867	204867
Metered Dispense Kit	239707	239705	239705	-	-
Dispense Kit	-	-	-	214658	214658
Hose Diameter	-	-	1/2 in (12.7 mm)	1/2 in (12.7 mm)	1/2 in (12.7 mm)
Hose Length	-	-	6 ft (1.8 m)	6 ft (1.8 m)	6 ft (1.8 m)
Drum Cover	204574	204574	204574	204574	204574
Caster Base	203622	203622	-	-	203622
Cart	-	-	203650	-	-
Instruction Manual	306436	306436	306436	306436	306436

6



*\*Hydraulic; can be used for gear oil dispensing.*

# Manual Oil Pumps

## Manual Oil and Grease Pumps

### Pail Dispensing Package for 5 gal (20 l) Pails

*Mounts on top of a standard 5 gal (20 l) pail (pail not included). Delivery hose has curved nozzle that stores in cover port.*

<b>Description</b>	<b>Economy Gear-Lube Dispenser (Dispenses 1.6 to 1.9 oz. [47.3 to 56.2 ml] per stroke)</b>
Package No.	<b>226289</b>
Hose length	4 ft (1.2 m)
Instruction manual	306875



226289



# Manual-Operated Transfer Pumps

## Manual Oil and Grease Pumps

### Pumping Bulk Lubricants out of 16 gal (60 l) or 55 gal (200 l) drums\*

All pumps come with suction tube and bung adapter.

Description	Lever Pump**	Rotary Pump†	Hand-Lever Diaphragm Pump‡
Pump No.	114829	226290	112202
Delivery rate	0.1 gal (0.4 l) per downstroke	1 gal (3.7 l) per 18 cycles	1 gal (3.7 l) per 9 cycles
Fluids Handled	Petroleum-based products Anti-freeze	Petroleum-based products	Petroleum-based products+
Hose Length	-	-	8 ft (2.5 m)
Instruction manual	308896	306876	-



114829



226290



112202 includes  
down tube and hose

6

\* Drums not included

\*\* Telescopic suction tube mounts 2 npt bung opening of 16 gal (60 l) or 55 gal (200 l) drum.

Package includes bung adapter and spout outlet.

† Package has adjustable 2 npt bung mounting to allow use with either 16 gal (60 l) or 55 gal (200 l) drum.

Package includes bung adapter and spout outlet.

‡ A double-action high volume pump for gasoline and similar petroleum products. Fits 30 gal (113 l) to 55 gal (200 l) drum.

Complete with an 8 ft (2.4 m) hose with 3/4" fittings and aluminum telescoping suction pipe. Delivers approximately one gallon per nine strokes.

+ This package is recommended for gasoline, diesel, heating oil and petroleum products, but is NOT recommended for water-based fluids, solvents or weak acids.

# Manual Grease Pumps

## Manual Oil and Grease Pumps

### Manual Dispense from Bulk Containers

	Buckshot Luber with Booster Gun	Buckshot Luber without Booster Gun	Grease Gun Fill Pump	Grease Gun Fill Pump
Container Size	35 lb (16 kg)	35 lb (16 kg)	35 lb (16 kg)	120 lb (55 kg)
Package No.	<b>225914*</b>	<b>225844*</b>	<b>112197**</b>	<b>112198**</b>
Pump	203702	203702	-	-
Dispense Kit	203703	203703	Filler Adapter+	Filler Adapter+
Booster Gun	203697	-	-	-
Cover and Follower Plate	203701	203701	-	-
Instruction Manual	306455	306455	-	-



6

\* Delivers 1/4 oz (0.7 grams) of grease per stroke at pressures to 3000 psi (207 bar).  
 Can service fittings directly or be used to charge a booster gun for more efficiency at higher pressures.  
 \*\* Fills all three-way loading grease guns equipped with filler fittings.  
 See instruction manual 308306 for filling adapters.  
 + Dispense kit #203703 can be used for direct greasing applications (must be ordered separately).



---

# Table of Contents Hose Reels

---

<b>SELECTION GUIDE</b> .....	<b>76</b>
250 Series Hose Reel .....	77-78
350 Series Hose Reel .....	79-80
500 Series Hose Reel .....	81-82
700 Series Hose Reel .....	83-84
750 Series Hose Reel .....	85
Hose Reel Packages .....	86-87
Dispense Console .....	88-89
Notes .....	90

# Hose Reels

## Selection Guide

Hose Reel	250 Series	350 Series	500 Series	700 Series	750 Series
Hose Length	25 ft x 1/2 in (7.6 m x 12.7 mm)	50 ft x 1/2 in (15.2 m x 12.7 mm)	50 ft x 1/2 in (15.2 m x 12.7 mm)	75 ft x 1/2 in (22.9 m x 12.7 mm)	50 ft x 1 1/4 in (15.2 m x 31.7 mm)
Typical Application	<ul style="list-style-type: none"> <li>• Medium-Duty</li> <li>• Auto Dealers</li> <li>• Fast Lubes</li> <li>• Service Shops</li> <li>• In-Plant</li> </ul>	<ul style="list-style-type: none"> <li>• Heavy-Duty</li> <li>• Auto Dealers</li> <li>• Heavy-Duty Dealers</li> <li>• Fast Lubes</li> <li>• Fleet Service</li> <li>• Service Shops</li> <li>• In-Plant</li> </ul>	<ul style="list-style-type: none"> <li>• Severe-Duty</li> <li>• Auto Dealers</li> <li>• Heavy-Duty Dealers</li> <li>• Fleet Service</li> <li>• Service Shops</li> <li>• In-Plant</li> <li>• Lube Trucks</li> <li>• Mining</li> </ul>	<ul style="list-style-type: none"> <li>• Supreme-Duty</li> <li>• Auto Dealers</li> <li>• Heavy-Duty Dealers</li> <li>• Fleet Service</li> <li>• Service Shops</li> <li>• In-Plant</li> <li>• Lube Trucks</li> <li>• Mining</li> </ul>	<ul style="list-style-type: none"> <li>• Supreme-Duty</li> <li>• Heavy-Duty Dealers</li> <li>• Fleet Service</li> <li>• Service Shops</li> <li>• In-Plant</li> <li>• Lube Trucks</li> <li>• Mining</li> </ul>
Typical Fluids	<ul style="list-style-type: none"> <li>• Synthetic Based Oils</li> <li>• Grease</li> <li>• Air</li> <li>• Water</li> <li>• Anti-Freeze</li> <li>• Windshield Wash</li> </ul>	<ul style="list-style-type: none"> <li>• Synthetic Based Oils</li> <li>• Grease</li> <li>• Air</li> <li>• Water</li> <li>• Anti-Freeze</li> <li>• Windshield Wash</li> </ul>	<ul style="list-style-type: none"> <li>• Synthetic Based Oils</li> <li>• Grease</li> <li>• Air</li> <li>• Water</li> <li>• Anti-Freeze</li> <li>• Windshield Wash</li> </ul>	<ul style="list-style-type: none"> <li>• Synthetic Based Oils</li> <li>• Air</li> <li>• Water</li> <li>• Anti-Freeze</li> <li>• Windshield Wash</li> <li>• Used Oil</li> <li>• Used Anti-Freeze</li> </ul>	<ul style="list-style-type: none"> <li>• Fuels</li> <li>• Synthetic Based Oils</li> <li>• Water</li> <li>• Anti-Freeze</li> </ul>
Enclosed	Enclosed Option Available		Enclosed Option Available		
Reference Pages for Parts and Accessories	69-70	71-72	73-74	75-76	77



# 250 Series Hose Reels

## Features and Benefits

- Heavy-duty spring, bearings and latch for long life
- Can be installed as either open or enclosed reel
- Manufacturer-installed fluid hose stays flexible even under pressure for easier handling
- Fully ported swivel and shaft for unrestricted flow
- Cast ratchet assembly for positive lock

## Typical Application

- Medium-duty hose reel
- Automotive dealerships
- Fast lube centers
- Service shops
- In-plant

## Typical Fluids Handled

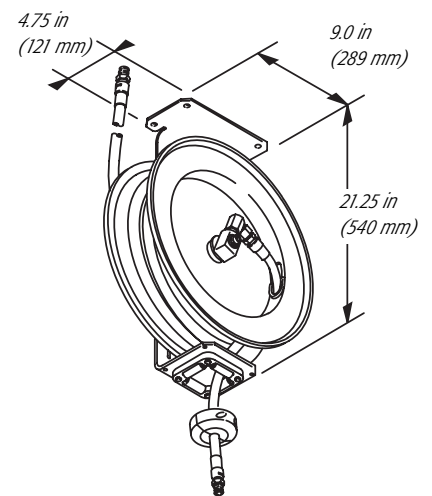
- Petroleum and synthetic based oils
- Grease
- Air
- Water
- Anti-freeze
- Windshield wash fluid

## Technical Specifications

	Low-Pressure	Medium-Pressure	High-Pressure
Inlet	1/2 npsm(m)	1/2 npsm(m)	3/8 npsm(m)
Outlet	1/2 npsm(f)	1/2 npsm(f)	3/8 npsm(f)
Pressure Rating for Bare Hose Reel	1800 psi (124 bar, 12.4 MPa)	1800 psi (124 bar, 12.4 MPa)	8000 psi (552 bar, 55.2 MPa)
Bearings	brass	brass	brass
Wetted Parts	SST, brass, nitrile rubber	CS, brass, nitrile rubber	CS, brass, leather
Weight of Bare Hose Reel	50 to 75 lb (24.95 to 34.02 kg)	50 to 75 lb (24.95 to 34.02 kg)	50 to 75 lb (24.95 to 34.02 kg)
Instruction Manual	308899	308899	308899



240963  
(includes 218549 hose inlet kit)



# 250 Series

## Reels, Reel Packages, Accessories and Repair Kits

### Low-Pressure Hose Reels (for air/water) rated to 180 psi (12.5 bar)

**240956\*** Hose Reel with 1/2 in (12.7 mm) x 25 ft (7.6 m) hose

**240958\*** Hose Reel with 1/4 in (6.4 mm) x 40 ft (12.2 m) hose

**240959\*** Hose Reel with 3/8 in (9.5 mm) x 40 ft (12.2 m) hose

\*Hose inlet kit included

### Medium-Pressure Hose Reels (for oil and light lubricants) rated to 1800 psi (126 bar)

**240963\*** Hose Reel with 1/2 in (12.7 mm) x 25 ft (7.6 m) hose

\*Hose inlet kit included

### High-Pressure Hose Reels (for grease) rated to 5000 psi (345 bar)

**240967\*** Hose Reel with 1/4 in (6.4 mm) x 35 ft (10.6 m) hose

\*Hose inlet kit included



**204741** Mounting Bracket. Secures mounting channel to I-beam without drilling. Two brackets are required when mounting 1-3 reels; three brackets are required when mounting 4-6 reels.

### Mounting Channels (includes all parts needed to mount hose reels to ceilings)

#### Enclosed

**203521** For one reel

**203522** For two reels

**203523** For three reels

**203524** For four reels

**203525** For five reels

**203526** For six reels

#### Open

**241791** For one reel

**241792** For two reels

**241793** For three reels

**241794** For four reels

**241795** For five reels

**241796** For six reels



### Reel Enclosures

**218546** Side enclosure (one kit required for each reel assembly)

**218548** End panel (one kit required for each bank of reels)

### Hose Inlet Kits (for bare hose reels and replacement orders)

**218549** 2000 psi (138 bar) for low- and medium-pressure reels (1/2 in [12.7 mm] x 24 in [0.6 m] length)

**218550** 4000 psi (276 bar) for high-pressure reels (1/4 in [6.4 mm] x 24 in [0.6 m] length)

**224417** 5000 psi (345 bar) for high-pressure reels (3/8 in [9.5 mm] x 24 in [0.6 m] length)

### Swivel Repair Kits

**224450** For low- and medium-pressure hose reels

**237094** For high-pressure hose reels

### 218591 Hose Roller Repair Kit

### 224444 Valve Hanger Kit

Mounts to side of reel to allow hanging of unmetered and high flow dispensing valves

### Identification Labels

**180698** Mylar® self-adhesive labels. 1 in x 5 in (25.4 mm x 127 mm) for labeling hose reels with the following headings:

Anti-Freeze	Water	SAE 5-40	SAE 10-40	SAE 20W
Hydraulic	Gear	SAE 10W	SAE 10-30	SAE 30W
Dexron	Air	Chassis	ATF	



218546

### Ball Stop Kits

Part Number	ID	Typical Hose ID
<b>222225</b>	.53	1/4 in (6.4 mm)
<b>218340</b>	.656	1/4 in and 3/8 in (6.4 mm and 9.5 mm)
<b>218341</b>	.782	3/8 in and 1/2 in (9.5 mm and 12.7 mm)

Mylar® is a registered trademark of Du Pont.

# 350 Series Hose Reels

## Features and Benefits

- Heavy-duty spring, bearings and latch construction for long life
- Handles up to 50 ft (15.3 m) of hose to cover wide area from single point
- Multi-position hose guide for varied mounting applications

## Typical Application

- Heavy-duty hose reel
- Automotive dealerships
- Heavy-duty dealerships
- Fast lube centers
- Fleet service facilities
- Service shops
- In-plant

## Typical Fluids Handled

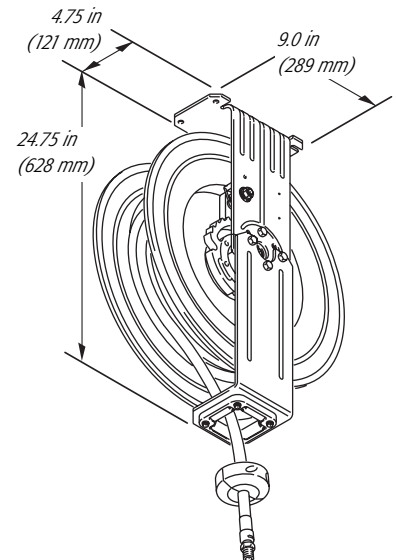
- Petroleum and synthetic based oils
- Grease
- Air
- Water
- Anti-freeze
- Windshield wash fluid

## Technical Specifications

	Low-Pressure	Medium-Pressure	High-Pressure
Inlet	1/2 npsm(m)	1/2 npsm(m)	3/8 npsm(m)
Outlet	1/2 npsm(f)	1/2 npsm(f)	3/8 npsm(f)
Maximum Pressure for Bare Reel	1800 psi (126 bar)	1800 psi (126 bar)	8000 psi (550 bar)
Operating Temperature	-40°F to 180°F (-40°C to 82°C)	-40°F to 180°F (-40°C to 82°C)	-40°F to 180°F (-40°C to 82°C)
Bearings	brass	brass	brass
Wetted Parts	stainless steel, nitrile rubber, brass	carbon steel, nitrile rubber, brass	carbon steel, leather, brass
Weight	45 to 55 lb (20.4 to 25 kg)	45 to 55 lb (20.4 to 25 kg)	45 to 55 lb (20.4 to 25 kg)
Instruction Manual	308400	308400	308400



237022  
(hose inlet kit sold separately)





# 350 Series

## Reels, Reel Packages, Accessories and Repair Kits

### Low-Pressure Hose Reels with Universal Hose Guide (for air and water)

- 238213** Hose Reel with 3/8 in x 60 ft (9.5 mm x 18.3 m) hose rated to 180 psi (12.5 bar)  
**243983** Hose Reel with 1/2 in x 50 ft (12.7 mm x 15.3 m) hose rated to 180 psi (12.5 bar)

### Medium-Pressure Hose Reels with Universal Hose Guide (for motor oil and light lubricants)

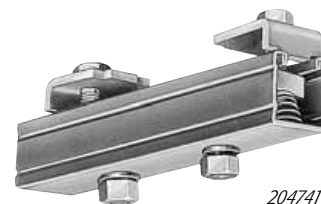
- 237020** Bare Hose Reel  
**237022** Hose Reel with 1/2 in x 50 ft (12.7 mm x 15.3 m) hose rated to 1800 psi (124 bar)

### High-Pressure Hose Reels with Universal Hose Guide (for chassis grease)

- 237030** Bare Hose Reel  
**237032** Hose Reel with 1/4 in x 50 ft (6.4 mm x 15.3 m) hose rated at 5000 psi (345 bar)  
**237034** Hose Reel with 3/8 in x 50 ft (9.5 mm x 15.3 m) hose rated at 4000 psi (276 bar)

### Mounting Bracket

- 204741** Secures mounting channel to I-beam without drilling. Two brackets are required when mounting 1-3 hose reels; three brackets are required when mounting 4-6 hose reels.



204741

### Mounting Channels (includes all parts needed to mount hose reels to ceiling)

- 241791** For one reel  
**241792** For two reels  
**241793** For three reels  
**241794** For four reels  
**241795** For five reels  
**241796** For six reels

### Hose Inlet Kits (order separately; does not come with 350 Series reels)

- 218549** 2000 psi (138 bar) for low- and medium-pressure reels (1/2 in x 2 ft [12.7 mm x 0.6 m] length)  
**218550** 4000 psi (276 bar) for high-pressure reels (3/8 in x 2 ft [9.5 mm x 0.6 m] length)  
**224417** 5000 psi (345 bar) for high-pressure reels (1/4 in x 2 ft [9.1 mm x 0.6 m] length)



218549

### 224444 Valve Hanger Kit

Mounts to side of reel to allow hanging of unmetrated and high flow dispensing valves

### Swivel Repair Kits

- 224450** For medium-pressure hose reel  
**237094** For high-pressure hose reel

### 218591 Hose Roller Repair Kit

### Identification Labels

- 180698** Mylar® self-adhesive labels. 1 in x 5 in (25.4 mm x 127 mm) for labeling hose reels with the following headings:

Anti-Freeze	Water	SAE 5-40	SAE 10-40	SAE 20W
Hydraulic	Gear	SAE 10W	SAE 10-30	SAE 30W
Dexron	Air	Chassis	ATF	

### Ball Stop Kits

Part Number	ID	Typical Hose ID
<b>222225</b>	.53	1/4 in (6.4 mm)
<b>218340</b>	.656	1/4 in and 3/8 in (6.4 mm and 9.5 mm)
<b>218341</b>	.782	3/8 in and 1/2 in (9.5 mm and 12.7 mm)

# 500 Series Hose Reels

## Features and Benefits

- Fully ported swivel and shaft for unrestricted flow
- Can be installed as enclosed or open reel
- Permanently-lubricated bearings for positive recoil and long life
- Extra-large audible ratchet lock so user knows when hose is locked in place
- Multi-position roller guide for superior service in any mounting position
- Handles up to 50 ft (15.2 m) of hose for oil or grease applications

## Typical Application

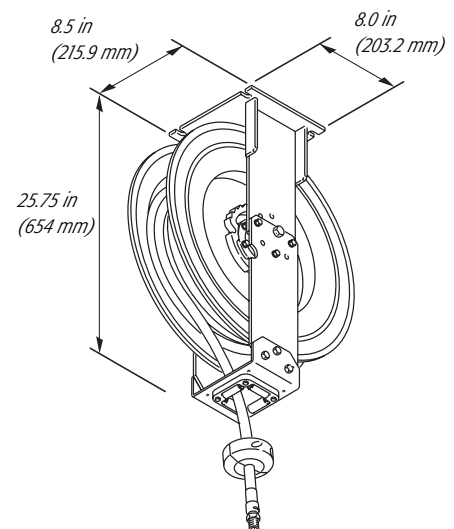
- Severe-duty hose reel
- Automotive dealerships
- Fleet service facilities
- In-plant
- Heavy-duty dealerships
- Service shops
- Lube trucks
- Mining

## Typical Fluids Handled

- Petroleum and synthetic based oils
- Grease
- Air
- Water
- Anti-freeze
- Windshield wash fluid

## Technical Specifications

	Low- and Medium-Pressure	High-Pressure
Inlet	1/2 npsm(m)	3/8 npsm(m)
Outlet	1/2 npsm(f)	3/8 npsm(f)
Maximum Pressure	1800 psi	8000 psi
For Bare Reel	(124 bar)	(552 bar)
Operating Temperature	-40°F to 180°F (-40°C to 82°C)	-40°F to 180°F (-40°C to 82°C)
Bearings	oil-impregnated bronze	oil-impregnated bronze
Wetted Parts	carbon steel, nitrile rubber polyester elastomer	carbon steel, nitrile rubber polyester elastomer
Weight of Bare Hose Reel	56.5 to 73 lb (25.7 to 33 kg)	56.5 to 73 lb (25.7 to 33 kg)
Instruction Manual	308109	308109



# 500 Series

## Reels, Reel Packages, Accessories and Repair Kits

### Low-Pressure Hose Reels (for air or water) rated to 180 psi (12.5 bar)

- 224050** Bare Hose Reel
- 224051** Hose Reel with 3/8 in x 60 ft (9.5 mm x 18.3 m) hose
- 243982** Hose Reel with 1/2 in x 50 ft (12.7 mm x 15.3 m) hose

### Medium-Pressure Hose Reels (for motor oil and light lubricants) rated to 1800 psi (124 bar)

- 224050** Bare Hose Reel
- 224058** Hose Reel with 1/2 in x 50 ft (12.7 mm x 15.3 m) hose

### High-Pressure Hose Reels (for grease) rated to 8000 psi (552 bar)

- 224060** Bare Hose Reel

### High-Pressure Hose Reels (for grease) rated to 5000 psi (345 bar)

- 224055** Hose Reel with 1/4 in x 50 ft (6.4 mm x 15.3 m) hose

### High-Pressure Hose Reels (for grease) rated to 4000 psi (276 bar)

- 224056** Hose Reel with 3/8 in x 50 ft (9.5 mm x 15.3 m) hose

### 204741 Mounting Bracket

Secures mounting channel to I-beam without drilling. Two brackets are required when mounting 1-3 reels.



204741

### Mounting Channels

- 218679** For one reel
- 218680** For two reels
- 218681** For three reels

### Enclosures

- 218551** Side enclosure kit (one required for each reel assembly)
- 218552** End panel kit (one required for each bank of reels)

### Hose Inlet Kits\*

- 218549** 2000 psi (138 bar) for low- and medium-pressure hose reels. Includes 1/2 in x 24 in (12.7 mm x 0.6 m) hose and fittings
- 218550** 4000 psi (276 bar) for high-pressure hose reels. Includes 3/8 in x 24 in (9.5 mm x 0.6 m) hose and fittings
- 224417** 5000 psi (345 bar) for high-pressure hose reels. Includes 1/4 in x 24 in (6.4 mm x 0.6 m) hose and fittings

*\*Order hose inlet kits separately, does not come with 500 Series Hose Reel*

### Metal Label Kits (includes one 3/4 in x 4-1/4 in (1.9 cm x 10.8 cm) metal label and mounts)

- |                         |                             |                           |
|-------------------------|-----------------------------|---------------------------|
| <b>218670</b> Motor Oil | <b>218673</b> ATF           | <b>218676</b> Water       |
| <b>218671</b> Grease    | <b>218674</b> Hydraulic Oil | <b>218677</b> Anti-Freeze |
| <b>218672</b> Gear Lube | <b>218675</b> Air           | <b>218678</b> Evacuation  |

### Swivel Repair Kits

- 224450** For low- and medium-pressure reels
- 224460** For high-pressure reels

### 218591 Hose Roller Repair Kit

### Ball Stop Kits

Part Number	ID	Typical Hose ID
<b>222225</b>	.53	1/4 in (6.4 mm)
<b>218340</b>	.656	1/4 in and 3/8 in (6.4 mm and 9.5 mm)
<b>218341</b>	.782	3/8 in and 1/2 in (9.5 mm and 12.7 mm)



218551



218549

# 700 Series Hose Reels

## Features and Benefits

- Fully ported swivel and shaft for unrestricted flow
- Handles hose lengths up to 75 ft (23 m)
- Heavy-duty ball bearings outlast sleeved-type bearings
- Easy rewind with minimal hose guidance

## Typical Application

- Supreme duty hose reel
- Automotive dealerships
- Fleet service facilities
- In-plant
- Heavy-duty dealerships
- Service shops
- Lube trucks
- Mining

## Typical Fluids Handled

- Petroleum and synthetic based oils
- Air
- Water
- Anti-freeze
- Windshield wash fluid
- Used Oil
- Used Anti-freeze

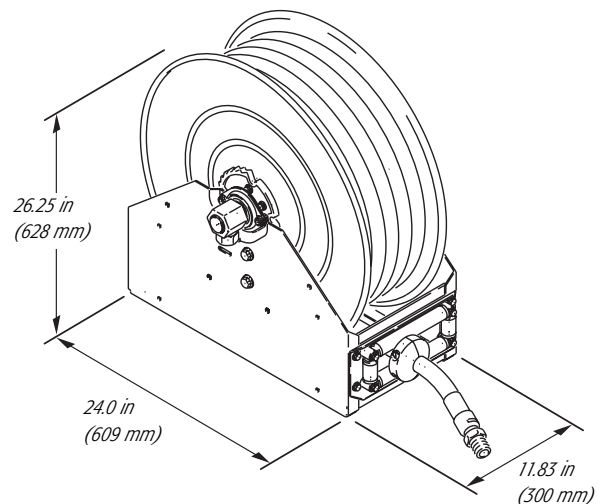


237875 shown with 237932



## Technical Specifications

Inlet .....	1 npt(f)
Outlet .....	1 npt(f)
Maximum Pressure (bare reel) .....	1500 psi (103 bar)
Maximum Vacuum .....	24 in Hg
Operating Temperature .....	-40°F to 180°F (-40°C to 82°C)
Bearings .....	self-aligning, sealed ball bearings (steel alloy)
Wetted Parts .....	carbon steel, Viton
Weight (bare reel) .....	103 lb (46.7 kg)
Instruction Manual .....	308546



# 700 Series

## Reels, Reel Packages, Accessories and Repair Kits

### Medium-Pressure Oil Dispense Reels (rated to 1500 psi/103 bar)

- 237728** Bare Hose Reel
- 237875** Hose Reel with 1/2 in x 75 ft (12.7 mm x 23 m) hose
- 237881** Hose Reel with 3/4 in x 50 ft (19.1 mm x 15 m) hose
- 237879\*** Hose Reel with 3/4 in x 75 ft (19.1 mm x 23 m) hose

*\*Not recommended for overhead installation*

### Medium-Pressure Oil Evacuation and Dispense Reels (rated to 212 psi/14.6 bar)

- 241909** Hose Reel with 1 in x 30 ft (25.4 mm x 9 m) hose; 24 in (0.3 m) Hg vacuum
- 241910\*** Hose Reel with 1 in x 50 ft (25.4 mm x 15 m) hose; 24 in (0.3 m) Hg vacuum

*\*Not recommended for overhead installation*

### Medium-Pressure Fuel Dispense Reel (rated to 125 psi/8.6 bar)

- 237884\*** Hose Reel with 1 in x 50 ft (25.4 mm x 15 m) hose

*\*Not recommended for overhead installation*

### Mounting Bracket

- 237932\*** Overhead mounting kit includes all parts needed for ceiling-mounting reel.  
(one required per reel.)
- 237944\*** Roller support kit includes roller support accessories for ceiling mounted reels (reel not included).

- 109064** Hose inlet kit 1 (mbe) x 28 in (71 cm)

*\*Required for overhead mounting*

### Swivel Repair Kit

- 237901** Includes swivel service parts only

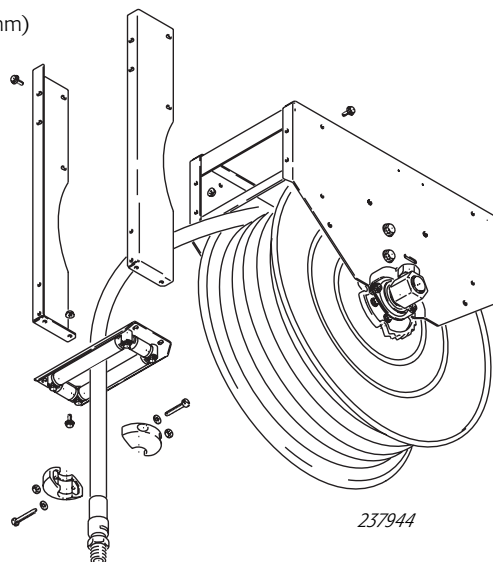
### Identification Labels

- 180698** Mylar® self-adhesive labels. 1 in x 5 in (25.4 mm x 127 mm) for labeling hose reels with the following headings:

Anti-Freeze	Water	SAE 5-40	SAE 10-40	SAE 20W
Hydraulic	Gear	SAE 10W	SAE 10-30	SAE 30W
Dexron	Air	Chassis	ATF	

### Ball Stop Kits

Part Number	ID	Typical Hose ID
<b>218341</b>	.782	3/8 in and 1/2 in (9.5 mm and 12.7 mm)
<b>237872</b>	1.0	5/8 in (15.9 mm)
<b>237873</b>	1.123	3/4 in (19.1 mm)
<b>237874</b>	1.374	1 in (25.4 mm)



# 750 Series Hose Reels

## Features

- Heavy-duty, high volume reel
- Industrial-grade paint for high abrasion and corrosion resistance
- Full-flow shaft
- Heavy-duty brackets and springs
- Rugged base and hose rollers
- Heavy-duty latch mechanism

## Typical Application

- Heavy-duty dealerships
- Fleet service facilities
- Service shops
- In-plant
- Lube trucks
- Mining

## Typical Fluids Handled

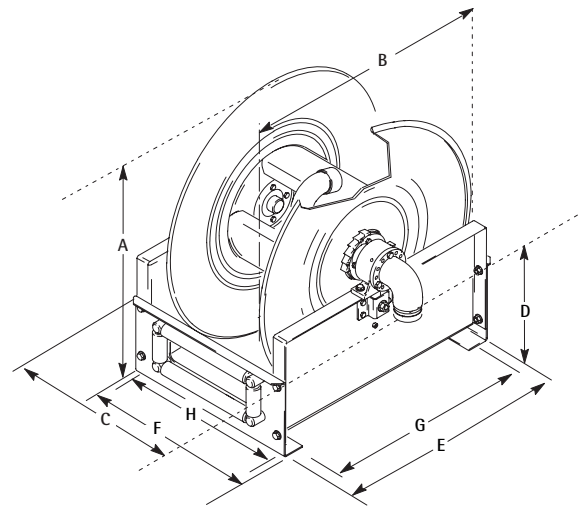
- Unleaded, leaded and diesel fuels
- Petroleum and synthetic based oils
- Water
- Anti-freeze

## Technical Specifications

Dimensions	26.25 in L x 26.25 in H x 17.5 in W (667 mm L x 667 mm H x 445 mm W)
Inlet Size	1-1/2 npt(f)
Outlet Size	1-1/2 npt(f)
Working Temperature	150° F (65° C)
Weight	139 lbs (63 kg)
Maximum Working Pressure	375 psi (26 bar; 2.6 MPa)
Hose Capacity (not included)	50 ft (15.2m) x 1.50 in ID Hose
Instruction Manual	309442

## Ordering Information

**245410** Medium-pressure fuel dispense reel  
(rated to 125 psi/8.6 bar)



### Dimensions

- |  |  |
|--|--|
| A. 26.25 in (667 mm) overall height      | E. 24.25 in (616 mm) base length           |
| B. 26.25 in (667 mm) overall length      | F. 17.50 in (445 mm) base width            |
| C. 21.88 in (556 mm) overall width       | G. 22.125 in (562 mm) mounting hole length |
| D. 13.75 in (349 mm) base to port center | H. 13.50 in (343 mm) mounting hole width   |

# Packages

## Hose Reels

### 250 Series Open Hose Reel Packages

Description	Hose Reel Assembly	Hose Reel No.	Hose Part No*	Size	Max. Pressure psi (bar)	Ball Stop Kit*	Dispense Valve
Air Reel	<b>224846</b>	240958	218491	1/4" x 40' (6.4 mm x 12.2 m)	180 psi (12 bar)	218341	218544
Air Reel	<b>224847</b>	240959	249181	3/8" x 40' (9.5 mm x 12.2 m)	180 psi (12 bar)	218341	218545
Air Reel	<b>224848</b>	240956	202573	1/2" x 25' (12.7 mm x 7.6 m)	180 psi (12 bar)	218341	218544/159842
Water Reel	<b>224930</b>	240958	218491	1/4" x 40' (6.4 mm x 12.2 m)	180 psi (12 bar)	218341	180685
Water Reel	<b>224931</b>	240959	249181	3/8" x 40' (9.5 mm x 12.2 m)	180 psi (12 bar)	218341	180685/150287
Water Reel	<b>224932</b>	240956	202573	1/2" x 25' (12.7 mm x 7.6 m)	180 psi (12 bar)	218341	180685/159842
Motor Oil	<b>223147</b>	240963	220608	1/2" x 25' (12.7 mm x 7.6 m)	1000 psi (69 bar)	218341	238461
ATF	<b>223149</b>	240963	220608	1/2" x 25' (12.7 mm x 7.6 m)	1000 psi (69 bar)	218341	238462
Gear Lube	<b>218453</b>	240963	220608	1/2" x 25' (12.7 mm x 7.6 m)	1500 psi (104 bar)	218341	222412
Gear Lube	<b>223151</b>	240963	220608	1/2" x 25' (12.7 mm x 7.6 m)	1000 psi (69 bar)	218341	238463
Chassis Grease	<b>218443</b>	240967	109156	1/4" x 35' (6.4 mm x 10.7 m)	5000 psi (345 bar)	222225	242056**

\* Included in hose reel

\*\* Includes Z-swivel #202577

### 250 Series Enclosed Hose Reel Packages\*

Description	Hose Reel Assembly	Hose Reel No.	Hose Part No**	Size	Max. Pressure psi (bar)	Ball Stop Kits**	Dispense Valve	Side Enclosure
Air or Water	<b>224837</b>	240958	218491	1/4" x 40' (6.4 mm x 12.2 m)	180 psi (12 bar)	218341	n/a	218546
Air or Water	<b>224838</b>	240959	249181	3/8" x 40' (9.5 mm x 12.2 m)	180 psi (12 bar)	218341	n/a	218546
Air or Water	<b>224839</b>	240956	205273	1/2" x 25' (12.7 mm x 7.6 m)	180 psi (12 bar)	218341	n/a	218546
Air	<b>224840</b>	240958	218491	1/4" x 40' (6.4 mm x 12.2 m)	180 psi (12 bar)	218341	159842/218544	218546
Air	<b>224841</b>	240959	249181	3/8" x 40' (9.5 mm x 12.2 m)	180 psi (12 bar)	218341	218545	218546
Air	<b>224842</b>	240956	205273	1/2" x 25' (12.7 mm x 7.6 m)	180 psi (12 bar)	218341	218545	218546
Water	<b>224843</b>	240958	218491	1/4" x 40' (6.4 mm x 12.2 m)	180 psi (12 bar)	218341	180685	218546
Water	<b>224844</b>	240959	249181	3/8" x 40' (9.5 mm x 12.2 m)	180 psi (12 bar)	218341	150287/180685	218546
Water	<b>224845</b>	240956	205273	1/2" x 25' (12.7 mm x 7.6 m)	180 psi (12 bar)	218341	159842/180685	218546
Motor Oil	<b>220483</b>	240963	220608	1/2" x 25' (12.7 mm x 7.6 m)	1500 psi (104 bar)	218341	n/a	218546
Motor Oil	<b>223131</b>	240963	220608	1/2" x 25' (12.7 mm x 7.6 m)	1000 psi (69 bar)	218341	238461	218546
ATF	<b>223133</b>	240963	220608	1/2" x 25' (12.7 mm x 7.6 m)	1000 psi (69 bar)	218341	238462	218546
Gear Lube	<b>218437</b>	240963	220608	1/2" x 25' (12.7 mm x 7.6 m)	1500 psi (104 bar)	218341	222412	218546
Gear Lube	<b>223135</b>	240963	220608	1/2" x 25' (12.7 mm x 7.6 m)	1000 psi (69 bar)	218341	238463	218546
Chassis Grease	<b>218429</b>	240967	109156	1/4" x 35' (6.4 mm x 10.7 m)	5000 psi (345 bar)	222225	242056†	218546

\* 218548 end panels not included

\*\* Included in hose reel

† Includes Z-Swivel #202577

7

# Packages

## Hose Reels

### 500 Series Low and Medium Pressure Open Hose Reel Packages

Description	Hose Reel Assembly	Hose Reel No.	Hose Part No*	Size	Max. Pressure psi (bar)	Ball Stop Kit*	Dispense Valve
Air	<b>224352</b>	224051	249181	3/8" x 60' (9.5 mm x 18.3 m)	180 psi (12 bar)	218341	218545
Water	<b>224354</b>	224051	249181	3/8" x 60' (9.5 mm x 18.3 m)	180 psi (12 bar)	218341	180685
Motor Oil	<b>224382</b>	224058	221093	1/2" x 50' (12.7 mm x 15.2m)	1000 psi (69 bar)	218341	238461
ATF	<b>224384</b>	224058	221093	1/2" x 50' (12.7 mm x 15.2m)	1000 psi (69 bar)	218341	238462
Gear Lube	<b>224362</b>	224058	221093	1/2" x 50' (12.7 mm x 15.2m)	1500 psi (104 bar)	218341	222412
Gear Lube	<b>224380</b>	224058	221093	1/2" x 50' (12.7 mm x 15.2m)	1000 psi (69 bar)	218341	238463

*Must order hose inlet kits separately*

*\*Included in hose reel*

### 500 Series High Pressure Open Hose Reel Packages

Description	Hose Reel Assembly	Hose Reel No.	Hose Part No*	Size	Max. Pressure psi (bar)	Ball Stop Kit*	Dispense Valve
Chassis Grease	<b>224364</b>	224055	109158	1/4" x 50' (6.4 mm x 15.2 m)	5000 psi (345 bar)	222225	242056**
Chassis Grease	<b>224366</b>	224056	109170	3/8" x 50' (9.5 mm x 15.2 m)	4000 psi (276 bar)	218340	242056**

*\*Included in hose reel*

*\*\*Includes Z-Swivel #202577*

### Dual Hose Reel

Description	Hose Reel No. (Bare)	Hose Part No.	Size	Max. Pressure psi (bar)	Ball Stop Kit	Dispense Valve
Dual Hose Reel	<b>206941</b>	109170*	3/8" x 50' (9.5 mm x 15.2 mm)	3000 psi (207 bar)	218340*	n/a
		221093*	1/2" x 50' (12.7 mm x 15.2 mm)	3000 psi (207 bar)	218341*	n/a

*\*Must be ordered separately*

### 700 Series Hose Reel Packages

Description	Hose Reel Assembly	Hose Reel No.	Hose Part No.	Size	Ball Stop Kit	Max. Pressure psi (bar)
Oil Dispensing	<b>237875</b>	237728	237861	1/2" x 75' (12.7 mm x 22.9 m)	237871	1500 psi (104 bar)
Oil Dispensing	<b>237879</b>	237728	237865	3/4" x 75' (19.1 mm x 22.9 m)	237873	1500 psi (104 bar)
Oil Dispensing	<b>237881</b>	237728	237866	3/4" x 50' (19.1 mm x 15.2 m)	237873	1500 psi (104 bar)
Oil Dispensing and Evacuation	<b>241910</b>	237728	241908	1" x 50' (25.4 mm x 15.2 m)	237874	212 psi (15 bar)
Oil Dispensing and Evacuation	<b>241909</b>	237728	241907	1" x 30' (25.4 mm x 9.1 m)	237874	212 psi (15 bar)
Fuel Dispensing	<b>237884</b>	237728	249058	1" x 50' (25.4 mm x 15.2 m)	237874	125 psi (9 bar)





# Dispense Console

## Multi-Station Consoles\*

### 222629 Six-Station Console

Includes upper and lower floor plates with roller guides and brackets (1-110236; 5-196471) to hold one water bibb and five Graco EM5 dispense valves.

Console Dimensions (without brackets):

27 in high x 54 in long x 12 in wide

(68.58 cm high x 139.7 cm long x 25.4 cm wide)

Console requires a floor opening of 6 in x 51 in (15.2 cm x 122.4 cm)

### 223448 Four-Station Console

Includes upper and lower floor plates with roller guides and brackets (1-110236; 3-196471) to hold one water bibb and three Graco EM5 dispense valves. Console requires floor opening of 6 in x 33 in (15.2 cm x 83.8 cm).

### 222645 Single Add-On Fluid Module

For adding-on to four- or six-station consoles. Includes add-on module, floor plates with roller guides to fit module and one bracket #191155 for motor oil/automatic transmission fluid dispense valves. Console requires floor opening of 6 in x 8-1/2 in (15.2 cm x 21.6 cm).

Add-on fluid module dimensions 27 in high x 9 in long x 10 in wide

(68.5 cm high x 22.86 cm long x 25.4 cm wide).



222629

\*Hoses not included. See ordering information on page 140

## 7

## Lubricant Dispense Consoles Accessories

**110236** Water Bibb Bracket

**110237** EM6 Mounting Bracket

**110285** Pistol-Grip Dispense Valve Bracket

**196471** Universal Dispense Valve Bracket for EM5 and PM5

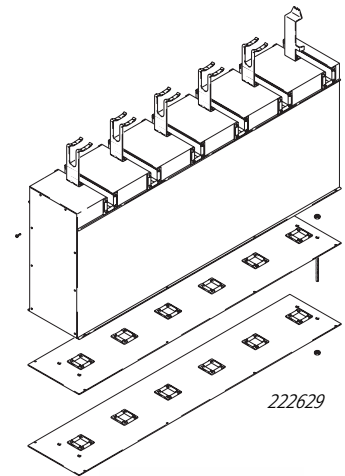
**249440** Matrix Dispense Valve Bracket

**218591** Roller Repair Kit (floor console)

**178670** Roller only

**222641** Roller Repair Kit (upper part of console)

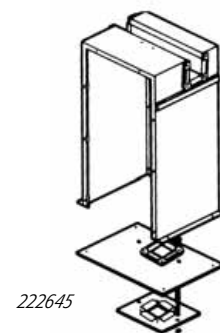
**234423** End Panel Replacement comes with 8 screws



222629





234423

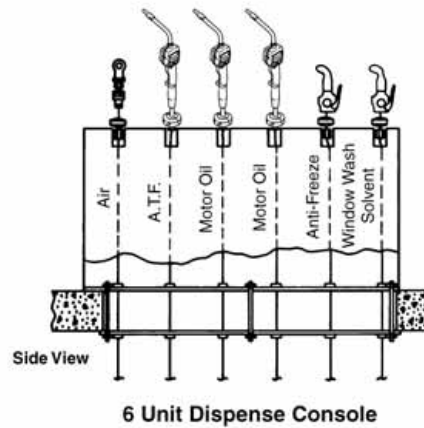
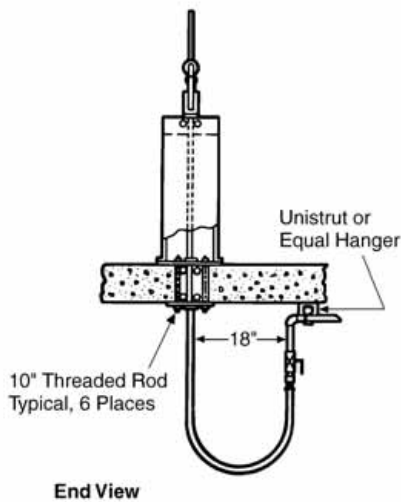
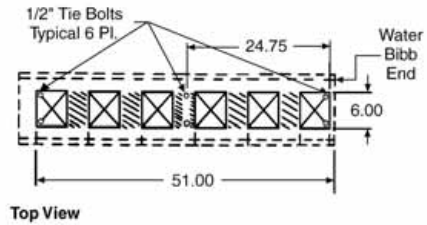


222645

# Dispense Console

## Typical System Installation

-  = Hose guide opening.  
 Openings may be individual or in groups of two, three or a continuous opening of 6 in. wide x 51 in. long (15.2 cm x 1.3 m). All dimensions ± .25 in. (6.35 mm).
-  = Area available for concrete reinforcement across 6 in. (15.2 cm) dimension.



## Oil Dispense Bar

### 220107 Oil Dispense Bar

Tough metal cabinet with baked-on enamel finish. Constructed with single-dispense tap and waste pan with plated, perforated metal service area and drain connection. Modular convenient design allows up to 2 oil dispense taps or 3 meters to be added at the time of installation, or later if required. Instruction manual 307742. Maximum working pressure 900 psi (62 bar). 22.6 in H x 13.25 in D x 18.3 in W (57.4 cm H x 33.7 cm D x 46.5 cm W)

### 220112 Tap Kit

Add to oil dispense bar to convert into two or three taps, as needed. Kit also includes non-drip dispense valve, manifold and all necessary mounting hardware.

### 239706 Meter Kit

Any individual tap on the oil dispense bar can be fitted with a fluid meter. Kit includes meter #239824 and all necessary mounting hardware. Maximum working pressure 500 psi (34 bar).

### 220110 Spigot Valve Replacement



220107

7



---

# Table of Contents

## Fluid Meters and Valves

---

EM5 Electronic Meter . . . . .	92-93
PM5 Electronic Pre-Set Meter . . . . .	94-95
EM6 Electronic Meter . . . . .	96
EM12 Electronic Meter . . . . .	97-98
IM5 In-Line Meter . . . . .	99
IM6 In-Line Meter . . . . .	100
V5 Non-Metered Valve . . . . .	101
V12 Non-Metered Valve . . . . .	102
Mechanically Metered Valves . . . . .	103
Notes . . . . .	104

# EM5™ Electronic Meter

## Fluid Meters and Valves

### Features and Benefits

- Dispenses in gallons, quarts, pints and liters
- Easy-to-use control pad
- Rugged trigger guard protects meter from damage
- Easy-to-replace 9-volt alkaline battery
- Resettable total for periodic reporting
- In-field calibration capability

### Typical Application

- Metered oil dispense
- Automotive dealerships
- Heavy-duty dealerships
- Fast lube centers
- Fleet service facilities
- Service shops
- For indoor use only
- In-plant

### Typical Fluids Handled

- Petroleum and synthetic based oils
- Anti-freeze



238461

8

### Technical Specifications

Flow Range*	0.26 to 5 gpm (1 to 18.9 lpm)
Operating Pressure Range	
For gear lube units	20 to 1000 psi (1.4 to 69 bar, 0.7 to 7 MPa)
For motor oil units	45 to 1000 psi (3.1-69 bar, 0.29 to 7 MPa)
Weight	3 lb (1.36 kg)
Inlet	1/2 npt
Outlet	3/8 npt
Operating Temperature Range	32 to 120°F (0 to 48.8°C)
Storage Temperature Range	-30 to 120°F (-34.4 to 48.8°C)
Battery**	9 volt alkaline
Wetted Parts	zinc, SST #304, Zenite®, CS, polyurethane, nitrile rubber
Meter Valve Assembly Pressure Loss	17 psi (1.2 bar, 0.12 MPa)
	@ 1.5 gpm (5.7 lpm) with 30 wt. oil @ 70°F (21°C)

Accuracy***	±0.5%
Repeatability****	±0.15%
Dimensions (without extension)	11 in L x 3.25 in W x 3.25 H (27.9 cm L x 8.3 cm W x 8.3 cm H)
Instruction Manual	309142

\* Tested in No. 10 motor oil. Flow rates vary with fluid pressure and viscosity.

\*\* Battery required to meet safety approvals: Duracell® MN 1604, or Panasonic® 6AM6X

\*\*\* At 2.5 gpm (9.5 lpm), at 70°F (21°C), with 10 weight oil and 1 gal (3.8 l) dispensed.

May require calibration; out-of-box accuracy is ±1.25%

\*\*\*\* At 2.5 gpm (9.5 lpm), at 70°F (21°C), with 10 weight oil and 1 gal (3.8 l) dispensed

Zenite is a registered trademarks of Du Pont

Duracell® is a registered trademark of Duracell Inc.

Panasonic® is a registered trademark of Panasonic Industrial Co.

Not recommended for in-line installation.

# EM5 Electronic Meter

## Fluid Meters and Valves

### Ordering Information

- 238461** EM5 Electronic Meter with rigid extension, U.S. measure
- 238462** EM5 Electronic Meter with Flexible Extension, U.S. measure
- 238458\*** EM5 Electronic Meter with Flexible Extension, Canadian Weights & Measures Approved
- 238463** EM5 Electronic Meter with Gear Lube Extension (15° Bend with 90° Elbow), U.S. measure

*\*Rigid extension (239949) and gear oil extension (238887) are available if required.*

### Accessories

#### Nozzle Assembly Kits

- 239949** Rigid (includes nozzle, tube and locking nut)
- 239951** Flexible (includes nozzle, tube and locking nut)
- 238887** Gear Lube (includes nozzle, tube and locking nut)
- 239829** Automatic Nozzle  
3/8 npt(f) inlet with 1/2 in diameter
- 238371** Gear Lube Nozzle  
3/8 npt(f) inlet with 1/2 in diameter tip

#### Additional EM5 Accessories

- 240416** Inlet Swivel
- 114017** Inlet Filter, 80 mesh
- 196471** Valve Bracket for Dispense Console
- 240453** Valve Repair Kit
- 238555** Electronic Cover Control Assembly Kit

#### Swivel Cover

- 191286** Black (standard color, included with meter)
- 191287\*** Red
- 191288\*** Blue
- 191289\*** Green
- 191290\*** Yellow

#### Protective Boots (with trigger guards)

- 243758** Black (standard color, included with meter)
- 243835\*** Red
- 243836\*** Blue
- 243837\*** Green
- 243838\*** Yellow
- 239829\*** Automatic Nozzle Only

*\*Must be ordered separately*



239949



239951



238887

# PM5™ Electronic Pre-Set Meter

## Fluid Meters and Valves

### Features and Benefits

- Automatic shut-off for hands-free operation
- Dispenses in gallons, quarts, pints and liters
- Rugged trigger guard protects meter from damage
- Easy-to-replace 9-volt alkaline battery
- Resettable total for periodic reporting
- In-field calibration capability

### Typical Application

- Preset metered oil dispense
- Automotive dealerships
- Heavy-duty dealerships
- Fast lube centers
- Fleet service facilities
- Service shops
- In-plant
- For indoor use only

### Typical Fluids Handled

- Petroleum and synthetic based oils
- Anti-freeze



8

### Technical Specifications

Flow Range*	0.26 to 5 gpm (1 to 18.9 lpm)
Operating Pressure Range	
For gear lube units	20 to 1000 psi (1.4 to 69 bar, 0.7 to 7 MPa)
For motor oil units	45 to 1000 psi (3.1-69 bar, 0.29 to 7 MPa)
Weight	3 lb (1.36 kg)
Units of Measurement	factory-set in quarts or liters
	Maximum totalizer amount=99,999 gallons or liters
	Maximum recorded dispensed volume=999.99 units
	Maximum predetermined volume=99.999 units
Inlet	1/2 npt
Outlet	3/8 npt
Operating Temperature Range	32 to 120°F (0 to 49°C)
Storage Temperature Range	-30 to 120°F (-34 to 49°C)
Battery**	9-volt alkaline

Wetted Parts	zinc, SST #304, Zenite, CS, polyurethane, nitrile rubber
Meter Valve Assembly Pressure Loss	17 psi (1.1 bar, 0.11 MPa)
	(@ 1.5 gpm [5.7 lpm] with 30 wt. oil @ 70°F [21°C])
Accuracy***	±0.5%
Repeatability****	±0.15%
Dimensions (without extension)	14 in L x 3.75 in W x 3.1 H
	(35.6cm L x 9.5cm W x 7.9cm H)
Instruction Manual	308735

\* Tested in No. 10-weight motor oil. Flow rates vary with fluid pressure and viscosity.

\*\* Battery required to meet safety approvals: Duracell MN 1604, or Panasonic 6AM6X

\*\*\* At 2.5 gpm (9.5 lpm), at 70°F (21°C), with 10 weight oil and 1 gal (3.8 l) dispensed.

May require calibration; out-of-box accuracy is ±1.25%

\*\*\*\*At 2.5 gpm (9.5 lpm), at 70°F (21°C), with 10 weight oil and 1 gal (3.8 l) dispensed  
Not recommended for in-line installation.

# PM5 Electronic Pre-Set Meter

## Fluid Meters and Valves

### Ordering Information

- 238511** PM5 Electronic Pre-Set Meter, Rigid Extension, U.S. measure
- 238512** PM5 Electronic Pre-Set Meter, Flexible Extension, U.S. measure
- 238515** PM5 Electronic Pre-Set Meter, Off-set Extension (15° Bend with 90° Elbow), U.S. measure1

### Accessories

#### Nozzle Assembly Kits

- 239949** Rigid (includes nozzle, tube and locking nut)
- 239951** Flexible
- 239950** Gear Lube
- 239829** Automatic Nozzle  
3/8 npt(f) inlet with 1/2 in diameter
- 238371** Gear Lube Nozzle  
3/8 npt(f) inlet with 1/2 in diameter

#### Additional PM5 Accessories

- 240416** Inlet Swivel
- 114017** Inlet Filter, 80 mesh
- 196471** Valve Bracket for Dispense Console
- 240453** Valve Repair Kit
- 238554** Electronic Cover Control Assembly Kit

#### Swivel Cover

- 191286** Black (standard color)
- 191287\*** Red
- 191288\*** Blue
- 191289\*** Green
- 191290\*** Yellow

*\*Must be ordered separately*

#### Protective Boots (with trigger guards)

- 243758** Black (standard color)
- 243835\*** Red
- 243836\*** Blue
- 243837\*** Green
- 243838\*** Yellow

*\*Must be ordered separately*



239949



239951



239950



# EM6™ Electronic Meter

## Fluid Meter and Valves

### Features and Benefits

- Screw-tight nozzle for positive shut off
- Ball bearing swivel for ease of use
- Durable design ideal for use in harsh environments
- Resettable totals for periodic dispense history

### Typical Application

- Metered oil dispense in demanding environments
- Automotive dealerships
- Heavy-duty dealerships
- Fast lube centers
- Fleet service facilities
- Service shops
- In-plant
- Lube Trucks
- Mining

### Typical Fluids Handled\*

- Petroleum and synthetic based oils

\* Not recommended for use with anti-freeze



243599 shown

8

### Technical Specifications

Maximum Recommended Flow Rate	.....6 gpm (23.01 lpm)
Maximum Operating Pressure	.....1500 psi (105 bar, 10.5 MPa,)
Operating Temperature Range	.....-4° to 130°F (-20° to 55°C)
Storage Temperature Range	.....-40° to 140°F (-40° to 60°C)
Inlet	.....1/2 npt
Outlet	.....1/2 npt
Wetted Parts	.....aluminum, SST, CS, acetal, nitrile rubber, Geolast™
Instruction Manual	.....308642
Accuracy/Repeatability	.....+/- 0.6%

*Geolast™ is a registered trademark of Advanced Elastomer Systems.*

### Color-coded Impact Guards for Electronic Meters

Color-code various fluids dispensed to reduce errors, match store colors, or create a customized appearance. For electronic meters only.

- 191782** Black
- 190383** Yellow
- 190384** Red
- 191784** Blue
- 191785** Green



### Ordering Information

- 243599** U.S. measure (rigid extension)
- 243600** U.S. measure (gear lube extension)
- 243601** U.S. measure (flexible extension)
- 243602** Metric measure (rigid extension)
- 243603** Metric measure (gear lube extension)
- 243604** Metric measure (flexible extension)
- 243992** 1/2 in (12.7 mm) bare valve (without locking trigger)

### Accessories

- 235878** U.S. Electronic Control Replacement
- 235901** Metric Electronic Control Replacement
- 203655** Twist Lock Nozzle Replacement 1/4 npt (m)
- 203687** Flex Extension, hose with 203655 tip
- 201701** Gear Lube Extension with tip
- 203265** Rigid Extension with tip

# EM12™ Electronic Meter

## Fluid Meter and Valves

---

### Features and Benefits

- Locking trigger for hands-free operation
- High-flow capability provides up to 12 gpm (45 lpm)
- Rugged design withstands demanding environments
- Resettable totals for periodic dispense history

### Typical Application

- High-flow metered oil dispense in demanding environments
- Automotive dealerships
- Heavy-duty dealerships
- Fast lube centers
- Fleet service facilities
- Service shops
- In-plant
- Lube Trucks
- Mining

### Typical Fluids Handled\*

- Petroleum and synthetic based oils

*\* Not recommended for use with anti-freeze*



238641 shown

### Technical Specifications

Maximum Recommended Flow Rate	12 gpm (45.4 lpm)
Maximum Operating Pressure	1500 psi (105 bar, 10.5 MPa)
Operating Temperature Range	-4° to 130°F (-20° to 55°C)
Storage Temperature Range	-40° to 140°F (-40° to 60°C)
Inlet	1/2 npt and 3/4 npt
Outlet	1/2 npt
Wetted Parts	aluminum, SST, CS, acetal, nitrile rubber, Geolast
Instruction Manual	308642

# EM12 Electronic Meter

## Fluid Meters and Valves

### Ordering Information

#### 3/4 npt(f) swivel inlet with:

**238636** U.S. measure 1/2 in (12.7 mm) rigid extension

**238637** U.S. measure 1/2 in (12.7 mm) flexible extension

#### 3/4 npt(f) swivel inlet with:

**238638** Metric measure 1/2 in (12.7 mm) rigid extension

**238639** Metric measure 1/2 in (12.7 mm) flexible extension

#### 1/2 npt(f) swivel inlet with:

**238640** U.S. measure 1/2 in (12.7 mm) rigid extension

**238641** U.S. measure 1/2 in (12.7 mm) flexible extension

#### 1/2 npt(f) swivel inlet with:

**238642** Metric measure 1/2 in (12.7 mm) rigid extension

**238643** Metric measure 1/2 in (12.7 mm) flexible extension

#### Bare Valves *(No meter or extension)*

**238647** Has locking trigger and inline flow through  
1/2 npt(f) swivel inlet; 1/2 npt(f) outlet

**238646** Has locking trigger and inline flow through  
3/4 npt(f) swivel inlet; 1/2 npt(f) outlet



### Accessories

**235878** U.S. Electronic Control Replacement

**235901** Metric Electronic Control Replacement

**223920** Twist Lock Nozzle (high flow)  
Optional nozzle for those wanting a manual twist lock-down type nozzle.  
Nozzle does not include an automatic feature like the standard nozzle.  
1/2 npt(f) with 1 in diameter tip.



**238400** Automatic Nozzle  
1/2 npt(f) with 1 in diameter tip

**185416** Filter  
40 mesh stainless steel

#### Color-coded Impact Guards for Electronic Meters

Use these to color-code the various fluids dispensed to reduce errors, match store colors, or create a customized appearance.

For electronic meters only.

**191782** Black

**190383** Yellow

**190384** Red

**191784** Blue

**190386** Green



# IM5™ In-Line Meter

## Fluid Meter and Valves

### Features and Benefits

- Heavy-duty construction for outdoor use
- Easy-to-use meter dispenses pints, quarts, liters or gallons
- Easy-to-replace 9-volt alkaline battery
- Compatible with windshield wash solvent or anti-freeze

### Typical Application

- Automotive dealerships
- Low-pressure in-line metering
- Fast lube centers
- Service shops
- In-plant

### Typical Fluids Handled

- Petroleum and synthetic based oils
- Anti-freeze
- Windshield wash fluid



239824

### Technical Specifications

Flow Range	0.5 to 5 gpm (1.9 to 19 lpm)
Maximum Working Pressure	500 psi (34 bar, 3.4 MPa)
Weight	1.8 lb (0.8 kg)
Units of Measurement*	factory-set quarts <i>(User selectable to gallons, quarts, pints, or liters.)</i>
Accuracy	± 0.5%
Inlet/Outlet	1/2 npt <i>Note: Meter can be installed with flow in either direction.</i>
Operating Temperature Range	-4 to 122°F (-20 to 50°C)
Storage Temperature Range	-13 to 122°F (-25 to 50°C)
Battery	9-volt, alkaline
Wetted Parts	nickel, zinc, Zenite, nitrile rubber
Instruction Manual	308687

\*Display shows quantity in 0.01 increments up to 999.99 gallons, quarts, pints, or liters. Totalizes in gallons or liters up to 99,999 units.

### Ordering Information

**239824** IM5 In-Line Meter

### Accessories

**107180** O-Ring Seal

# IM6™ In-Line Meter

## Fluid Meters and Valves

---

### Features and Benefits

- Resettable totals for periodic dispense history
- Durable design ideal for rugged environments
- Nickel-cadmium battery for longer life
- Easy-to-use meter dispenses pints, quarts, liters or gallons
- Shock-resistant durability for impact conditions

### Typical Application

- Medium-pressure metering in demanding environments
- Automotive dealerships
- Heavy-duty dealerships
- Fast lube centers
- Fleet service facilities
- Service shops
- In-plant
- Lube trucks
- Mining

### Typical Fluids Handled\*

- Petroleum and synthetic based oils

*\* Not recommended with anti-freeze or windshield wash*



244075

8

### Technical Specifications

Flow Range*	0.12 to 12.0 gpm (0.456 to 45.61 lpm)
Maximum Working Pressure	1500 psi (103 bar, 10.3 MPa)
Weight	1.9 lb (0.95 kg)
Operating Temperature Range	-4° to 130°F (-20° to 55°C)
Inlet	1/2 npt
Outlet	1/2 npt
Wetted Parts	aluminum, SST #304, CS, acetal, nitrile rubber, Geolast, nickel, bronze

*\*Tested in No. 10 motor oil. Flow rates vary with fluid pressure and viscosity.*

### Ordering Information

<b>244075</b>	In-Line Meter (U.S.)
<b>244076</b>	In-Line Meter (Metric)
<b>235878</b>	Replacement Electronics (U.S.)
<b>235901</b>	Replacement Electronics (Metric)

# V5™ Non-Metered Valve

## Fluid Meters and Valves

### Features and Benefits

- Locking trigger for hands-free operation
- Rugged cast-body design withstands harsh environments
- Built-in ball bearing swivel allows for ergonomic operation
- Inlet screen aids in keeping fluids clean

### Typical Application

- Non-metered oil dispense
- Automotive dealerships
- Heavy-duty dealerships
- Fast lube centers
- Fleet service facilities
- Service shops
- In-plant
- Lube trucks
- Mining

### Typical Fluids Handled

- Petroleum and synthetic based oils

### Technical Specifications

Maximum Recommended Flow Rate	5 gpm (22.7 lpm)
Maximum Operating Pressure	1500 psi (103 bar, 10.4 MPa)
Weight	0.4 lb (0.2 kg)
Operating Temperature Range	-40° to 180° F (-40° to 82° C)
Inlet	1/2 npt
Outlet	1/2 npt
Wetted Parts	aluminum, SST, CS, acetal, nitrile rubber, Geolast
Instruction Manual	308642



### Ordering Information

- 222411** 1/2 npt(f) swivel inlet; 3/8 in (9.5 mm) rigid extension (for oil)
- 222413** 1/2 npt(f) swivel inlet; 3/8 in (9.5 mm) flexible extension (for ATF)
- 222412** 1/2 npt(f) swivel inlet; 3/8 in (9.5 mm) 90° (gear lube)

#### Bare Valve (No meter or extension)

- 238647** Has locking trigger and inline flow through 1/2 npt(f) swivel inlet; 1/2 npt(f) outlet



### Accessories

- 203655** Twist Lock Nozzle  
Manual-twist lock-down type nozzle
- 203687** Flex Extension, hose with 203655 tip
- 201701** Gear Lube Extension with tip
- 203265** Rigid Extension with tip



# V12™ Non-Metered Valve

## Fluid Meters and Valves

### Features and Benefits

- Locking trigger for hands-free operation
- Rugged cast-body design withstands harsh environments
- Built-in ball bearing swivel allows for ergonomic operation
- Inlet screen aids in keeping fluids clean

### Typical Application

- High-flow, non-metered oil dispense
- Automotive dealerships
- Heavy-duty dealerships
- Fast lube centers
- Fleet service facilities
- Service shops
- In-plant
- Lube trucks
- Mining

### Typical Fluids Handled

- Petroleum and synthetic based oils



8

### Technical Specifications

Maximum Recommended Flow Rate	12 gpm (45.4 lpm)
Maximum Operating Pressure	1500 psi (105 bar, 10.5 MPa)
Assembly Weight (no meter)	0.4 lb (0.18 kg)
Operating Temperature Range	-40° to 180° F (-40° to 82° C)
Inlet	1/2 npt and 3/4 npt
Outlet	1/2 npt
Wetted Parts	aluminum, SST, CS, acetal, nitrile rubber, Geolast
Instruction Manual	308642

### Ordering Information

- 238651** 1/2 npt(f) swivel inlet, 1/2 in (12.7 mm); rigid extension  
**238652** 1/2 npt(f) swivel inlet, 1/2 in (12.7 mm); flexible extension  
**238644** 3/4 npt(f) swivel inlet, 1/2 in (12.7 mm); rigid extension  
**238645** 3/4 npt(f) swivel inlet, 1/2 in (12.7 mm); flexible extension

#### Bare Valves (No meter or extension)

- 238647** Has locking trigger and inline flow through 1/2 npt(f) swivel inlet; 1/2 npt(f) outlet  
**238646** Has locking trigger and inline flow through 3/4 npt(f) swivel inlet; 1/2 npt(f) outlet

### Accessories

- 223920** Twist Lock Nozzle  
 Manual-twist lock-down type nozzle. Doesn't include an automatic feature like the standard nozzles.  
**238400** Automatic Nozzle  
 1/2 npt(f) with 1 in diameter tip



# Mechanically-Metered Valves

## Fluid Meters and Valves

---

### Features and Benefits

- Perfect for a wide variety of vehicle or machine service applications
- Balanced, lightweight, rugged construction, and comfort grip
- Cast aluminum housing with epoxy finish
- Non-resettable totalizing register

### Typical Application

- Metered oil dispense
- Automotive dealerships
- Heavy-duty dealerships
- Fast lube centers
- Fleet service facilities
- Service shops
- In-plant
- Lube trucks
- Mining

### Typical Fluids Handled

- Petroleum and synthetic based oils
- Anti-freeze

### Technical Specifications

Maximum Flow*	4 gpm (15.1 lpm)
Minimum Flow*	0.4 gpm (1.5 lpm)
Maximum Operating Pressure	1000 psi (68.9 bar, 6.8 MPa)
Operating Temperature Range	-40°F to 140°F (-40°C to 60°C)
Accuracy	± 0.65%
Weight	6.0 lb (2.7 kg)
Inlet and outlet connections	1/2 npt(f)

*For use with petroleum-based fluids only.*

*\*Tested with Mobil DTE-25 motor oil. Minimum/maximum flow rates will vary with fluid viscosity.*



### Ordering Information

- 234114 16 quart Non-Pre-Set Meter**  
Includes valve with flexible extension and twist lock nozzle.  
Instruction manual 309583.
- 207738 60 quart Pre-Set Meter**  
Includes valve with rigid extension and automatic nozzle.  
Instruction manual 306976.
- 207739 60 gallon Pre-Set Meter**  
Includes valve with rigid extension and automatic nozzle.  
Instruction manual 306976.
- 207742 60 liter Pre-Set Meter**  
Includes valve with rigid extension and automatic nozzle.  
Instruction manual 306976.

#### Nozzles only:

- 203655** Twist Lock for Flex Extension  
**207745** Automatic for Rigid Extension, 1/2 npt(m)  
**203687** Flexible Extension with Nozzle, 1/2 npt(m)  
**117676** Flexible Extension with tip, 1/2 npt(m) for 234114





---

# Table of Contents

## Manual Guns and Fittings

---

Grease Dispense Valves .....	106
Manual Guns .....	107
Manual Gun Accessories .....	108-112

# Grease Dispense Valves

## Fluid Meters and Valves

---

### Accu-Shot™ Metered Grease Valves

#### Features and Benefits

- Accurate grease metering within  $\pm 3\%$
- Easy to read LCD display
- Handles pressure up to 5000 psi and flow up to 36 oz/min

#### Typical Application

- Metered grease dispense
- Heavy-duty dealerships
- Fleet service facilities
- Lube trucks
- In-plant
- Mining

#### Typical Fluids Handled

- Grease up to NLGI #2



#### Ordering Information

**233807 Accu-Shot Electronic Metered Grease Valve (U.S.)**  
Includes extension and hydraulic coupler

**233933 Accu-Shot Electronic Metered Grease Valve (Metric)**  
Includes extension and hydraulic coupler

9

### Pro Shot™ Grease Valves

#### Features and Benefits

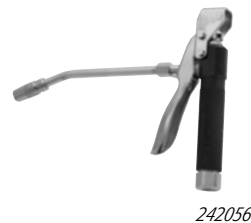
- Rugged design for harsh environments
- Pressure-assisted trigger for ease of operation
- Easy top adjustment with locking nut
- Pro-Shot adjustment nut protected by rigid guard

#### Typical Application

- Non-metered grease dispense
- Heavy-duty dealerships
- Automotive dealerships
- Lube trucks
- Service shops
- Fast lube centers
- In-plant
- Mining

#### Typical Fluids Handled

- Grease up to NLGI #2



#### Ordering Information

##### Pro-Shot Grease Dispense Valve

**242056** 1/4 npt(f) inlet with coupler and extension #200389

**242055** 1/4 npt(f) inlet without coupler or extension

**242058** 3/8 npt(f) inlet with coupler and extension #200389

**242057** 3/8 npt(f) inlet without coupler or extension

**224872** Includes 30 in (76.2 cm) whip hose #109148, Z-Swivel #202577 and grease valve #242056.

# Manual Guns and Fittings

## Ordering Information

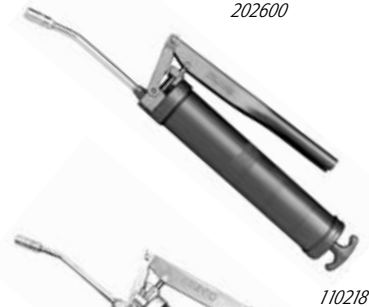
### 202600 1/8 npt(f) Power-Shot Booster Gun

Power-Shot booster gun boosts incoming pressure up to 18,000 psi (1,242 bar). Use with any high-pressure lubricator. Maximum inlet pressure: 5000 psi (345 bar). Includes nozzle (200389). (Hose swivel #202579 must be ordered separately). Instruction Manual: 306271.



### 110218 Lever Grease Gun

Standard Lever-Action Grease Gun: Develops up to 6000 psi (400 bar) working pressure and pumps 1.8 oz. (51 g) per 40 strokes. Can be loaded via cartridge or bulk fill. Optional loader fitting available. Equipped with rigid extension and hydraulic coupler.



### 110216 Heavy-Duty Lever-Action Grease Gun

High-pressure variable low-volume. Three-way loading: bulk fill, loader fitting or cartridge. Pumps 1.24 oz. per 40 strokes. Includes air bleeder valve. Equipped with rigid extension and hydraulic coupler (MIL-G-3859). Can develop up to 10,000 psi. Comes with 236171, easy fill valve.



### 110203 Pistol-Matic Grease Gun

Three-way loading: bulk fill, loader fitting or cartridge. Pumps .72 oz. (28.4 g) per 40 strokes. Includes air bleeder valve. Equipped with rigid extension and hydraulic coupler. Can develop up to 3500 psi



### 203697 1/8 npt(f) Hot-Shot Portable Booster Gun

For portable operation without continuous connection to grease supply. Has 4 oz. (113 g) grease reservoir in handle capable of servicing up to 100 fittings before needing a refill. Has grease fitting for recharging from either manual or air-powered luber. Single-hand operation squeeze handle develops up to 10,000 psi (690 bar). Includes grease extension and nozzle #200389. Instruction Manual: 306460.



### 110202 Pistol-Matic Grease Gun

Same as #110203 but with 12 in (30.4 cm) flexible rubber hose and hydraulic coupler.

### 112196 1/4 npt Pistol-Style Air-Operated Grease Gun

Spring-primed, single-shot gun. Three-way loading: bulk fill, loader fitting or 14 oz. (400 g) cartridge. Air input range of 75 to 100 psi (5 to 7 bar); working pressure of 6000 psi (414 bar). Pumps 1.2 oz. (34 g) per 40 pulls at 100 psi (7 bar). Includes standard gun coupler and bleeder valve. (1/4 npt air input connection).



### 110201 Suction Gun

For evacuating and filling fluids into gear housings, differentials, transmissions and related applications. Comes with red clear plastic 12 in (30.4 cm) hose.

# Grease Guns

## Manual Guns and Fittings

### Accessories for Grease Dispense Guns

#### Z-Swivels

- 202579** 1/8 npt(m) x 1/4 npt(f) free-ball bearing
- 202577** 1/4 npt(m) x 1/4 npt(f) free-ball bearing use with dispense valve #242055 and #242056
- 224569** 3/8 npt(m) x 3/8 npt(f) free-ball bearing use with dispense valve #242057 and 242058
- 207948** 1/2 npt(m) x 1/2 npt(f) free-ball bearing



202577



204082

#### Straight Swivels

- 204082** 1/8 npt(m) x 1/8 npt(f) free-ball bearing (8000 psi; 550 bar)
- 204083** 1/4 npt(m) x 1/8 npt(f) free-ball bearing (8000 psi; 550 bar)
- 204084** 1/4 npt(m) x 1/4 npt(f) free-ball bearing (8000 psi; 550 bar)
- 214925** 3/8 npt(f) x 1/4 npsm(f-union) (5000 psi; 345 bar)
- 214926** 3/8 npt(f) x 1/2 npsm(f-union) (5000 psi; 345 bar)
- 207946** 3/8 npt(f) x 1/2 npsm(f-union) (6000 psi; 414 bar)
- 207947** 1/2 npt(m) x 1/2 npt(f) (6000 psi; 414 bar)



203597



203198

#### 360° Swivels

Swivels and locks into full 360° angle. Use for maximum coupler adaptability and reach.

- 203597** 360° Grease Swivel with tapered-nose coupler #200325
- 203198** 360° Grease Swivel (without coupler)

# Grease Guns

## Manual Guns and Fittings

### Grease Nozzles

Nozzle Length	Part No.	Description
6 in (15.2 cm)	<b>200389</b>	Standard Nozzle. Includes straight 1/8 npt(m) extension tube #150622 and tapered nose coupler #200325.
6 in (15.2 cm)	<b>204072</b>	Swivel Nozzle. Includes straight 1/8 npt(m) extension tube #150622 and tapered nose coupler #200325. Coupler has 360° swivel adapter #203198 for added convenience.
12 in (30.4 cm)	<b>204897</b>	Swivel Nozzle. Includes straight 1/8 npt(m) extension tube #155836 and tapered nose coupler #200325. Coupler has 360° swivel adapter #203198 for added convenience.
12 in (30.4 cm)	<b>204204*</b>	Inlet Flexible Hose Nozzle. 1/8 npt(m) Includes tapered-nose coupler #200325.
12 in (30.4 cm)	<b>203504*</b>	Inlet Flexible Hose Nozzle. 1/8 npt(m) Includes tapered-nose coupler #200325 and lock sleeve connector #203497 for quick connection to any grease nozzle having tapered-nose coupler.
12 in (30.4 cm)	<b>109145</b>	Hose Nozzle without Coupler
18 in (45.8 cm)	<b>112255</b>	Hose Nozzle without Coupler
30 in (76.2 cm)	<b>109148*</b>	Hose Nozzle without Coupler Has 1/8 npt(m) both ends. Use as alternate for rigid nozzle with tapered-nose coupler #200325.



200389



204072

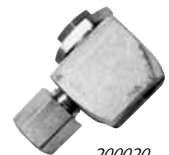
*\*Warning: potential injection hazard. Not for use above 5000 psi (345 bar).*

### Grease Couplers

Size	Part No.	Description
1/8 npt(f) inlet	<b>200325</b>	Standard Tapered-Nose Coupler. Standard with most grease dispense nozzles and valves. Hardened jaws grip grease fittings through wide-sealing angle, but release easily. Maximum working pressure 8000 psi (551 bar).
1/8 npt(f) inlet	<b>202650</b>	Standard Straight Nose Grease Coupler for manual operated grease guns only. Maximum working pressure 3000 psi (206 bar).
1/8 npt(f) inlet	<b>200020</b>	Standard Button-Head Coupler. Gives fast, positive seal on button-head fittings.
1/8 npt(f) inlet	<b>200021</b>	Giant Button-Head Coupler. Gives fast, positive seal on larger button-head fittings.



200325



200020

# Grease Guns

## Manual Guns and Fittings

### Adapters

Adapters have lock-sleeve connector for quick connection to any grease nozzle with a tapered-nose coupler.

- 201881** Hydraulic-to-Push Adapter. Used for U-joints and low-pressure service.
- 205532** Hydraulic-to-Steel Needle Adapter. Used for flush fittings.
- 205582** Hydraulic-to-Nylon Needle Adapter. Used for removable plugs.
- 223187** 90° Hydraulic-to-Push Adapter (K-Car)  
Refer to Instruction Manual 306708.
- 203497** Lock Sleeve Connector. 1/8 npt(f) outlet. Allows for quick connection to tapered-nose coupler. Inlet is standard grease fitting with sleeve to lock connector in place.
- 236171** Easy-Fill Valve. For faster loading of Graco hand grease guns with gun loaders. Replaces hydraulic fittings on all grease guns with 1/8 npt(f). Refer to Instruction Manual 308306.
- 204929** Grease Loader Valve. For use with lever-operated, high-volume grease pumps. Permits quick bulk-filling of hand-operated grease lever guns equipped with Easy-Fill Valve #236171. Refer to Instruction Manual 308306.
- 205592** Hydraulic Adapter Assortment Package. Contains needle adapter #205568, plug adapter #205554, push adapter #201881, nylon needle adapter #205582, hydraulic-to-steel needle adapter #205532 and whip hose nozzle connector #203504.



205532



205582



203497



236171



205592

# Grease Guns

## Manual Guns and Fittings

### Grease Fittings

Part No.	Shank	Description	Pressure Rating
<b>1/8 npt Threaded Grease Fittings (steel; ball-check)</b>			
100054	9/32	1/8 npt straight	10,000 psi (689 bar)
101277	1-9/32	1/8 npt straight	10,000 psi (689 bar)
100970	9/32	1/8 npt 30° angle	10,000 psi (689 bar)
100834	9/32	1/8 npt 45° angle	10,000 psi (689 bar)
100971	9/32	1/8 npt 65° angle	10,000 psi (689 bar)
100833	9/32	1/8 npt 90° angle	10,000 psi (689 bar)
<b>1/4 npt Threaded Grease Fittings (steel; ball-check)</b>			
100848	3/8	1/4 npt 67° angle	10,000 psi (689 bar)
100846	3/16	1/4-28 straight	10,000 psi (689 bar)
100847	13/64	1/4-28 45° angle	10,000 psi (689 bar)
101283	3/16	1/4-28 90° angle	10,000 psi (689 bar)
101281	11/32	1/4-28 straight	10,000 psi (689 bar)
110702	19/64	1/4-28 65° angle	10,000 psi (689 bar)
<b>1/4 npt Thread-Forming Grease Fittings (steel; ball-check)</b>			
110703	13/64	1/4-28 straight	10,000 psi (689 bar)
110704	13/64	1/4-28 45° angle	10,000 psi (689 bar)
110705	13/64	1/4-28 90° angle	10,000 psi (689 bar)
<b>3/16 npt Thread-Forming Grease Fittings (steel; ball-check)</b>			
110706	3/32	3/16 npt straight	10,000 psi (689 bar)
110709	7/32	3/16 npt 65° angle	10,000 psi (689 bar)
<b>Drive-Type Grease Fittings (steel; no check)</b>			
110713	1/4	3/16 npt straight	
101312	1/4	3/16 npt straight	
110710	1/4	5/16 npt straight	
101287	17/64	1/4 npt straight	
<b>Standard Button-Head Grease Fitting (steel)</b>			
100837	7/16	1/4 npt straight	
101297	33/64	3/8 npt straight	
110711	35/64	1/2 npt straight	
<b>Giant Button-Head Grease Fitting (steel)</b>			
110712	9/16	3/8 npt straight	
100854	1/2	1/4 npt straight	



100970



100834



100833



110704



110706



101297



110712



# Grease Guns

## Manual Guns and Fittings

### Grease Accessory Packages

#### 202654 Convenient Storage Box

Contains the following threaded fittings in the quantity listed:

Shank	Description	Grease Fitting No.	Quantity
9/32	1/8 npt straight	100054	30
9/32	1/8 npt 30° angle	100970	10
9/32	1/8 npt 90° angle	100833	10
3/16	1/4-28 straight	100846	20
13/64	1/4-28 45° angle	100847	10



202654

#### Easy-Outs

For installation and removal of grease fittings.

**101604** 1/8 npt

**101605** 1/4-28 unf



101604



101605

---

# Table of Contents

## Fluid Management Systems

---

Matrix System .....	114-119
Tank Level Monitoring System .....	120-122
Horizon .....	123-126
Fluid Commander .....	127-129
Notes .....	130

# Matrix<sup>®</sup>

## Total Fluid Management System<sup>™</sup>

**For Sale to Authorized Distribution Only**

### Features and Benefits

- Simple tracking so you're never short on oil
- Easy to use system software and components
- Multi-level security to protect your system and your assets
- Customizable to fit your business needs
- Wireless transmission and reception of meter and tank level information makes it simple to track your entire facilities activities
- Precise measurement and control of key fluids means less waste

### Typical Application

- Auto dealerships
- Heavy-duty fleet service
- Off road maintenance shops
- Industrial in-plant lubrication

### Typical Fluids Handled

- Petroleum and synthetic based oil
- Anti-freeze



*Matrix Meter  
246008*



*Tank Level Monitor  
119274*



*Transceiver and  
Software  
249020*



# Matrix

## Total Fluid Management System

### Software System

#### Ordering Information

Packaged with the Matrix Transceiver. May not be ordered separately.

#### Operating Requirements

During set up, the Matrix Software program and other files are decompressed and copied to the hard disk. Note: The system administrator function of the program must be set up before using the software or other system components.

This software is not compatible with Apple® Computers, and is not available for the Apple® Operating system.

Matrix software can be configured as a stand-alone PC or networked to multiple PC's (up to 25 client PC's) in a facility. If the application requires networking to more than 25 PC clients, please contact Graco. The PC requirements for the Matrix Server and MAtrix Client or shop PC's are noted below.

#### Server PC Hardware Requirements

- Windows® XP Professional or Home operating system
- Pentium® 4 or better processor
- Processor speed of 3.8 MHz or better
- RAM memory of 1 GB or better
- CD-RW or DVD/RW drive
- Serial port configuration for (1) RS232 and (1) USB connection

#### PC (Shop) Clients

- Windows® XP Professional or Home operating system
- Pentium® 4 or better processor
- Processor speed of 2.0 MHz or better
- RAM memory of 512 MB or better

### Transceiver and System Software

#### Ordering Information

**249020** Transceiver and Matrix Full Line Software (249884 Australia part number)

**117256** Transceiver only

**119425** Uninterruptible power supply (UPS)

#### Technical Specifications

Weight .....	1.0 lbs. (454 grams)
US & Canada RF Communication .....	902-928 MHz frequency hopping, spread-spectrum
Australia RF Communication .....	915-928 MHz frequency hopping, spread-spectrum
Unobstructed RF Communication Range .....	300 – 500ft (91.0 – 152.0 m)
Obstructed RF Communication Range .....	250 – 300ft (76.2 – 91.0 m)
RF Operating Temperature Range .....	-40°F – 185°F (-40°C – 85°C)
Power Supply, US & Canada .....	120 VAC to 12VDC plug in transformer
Power Supply, Australia .....	240 VAC
US Approvals .....	FCC
Canada Approvals .....	Industry Canada (IC)
Conforms to Australian communication requirements	
Warranty .....	Two years
Instruction Manual .....	309498



# Matrix

## Total Fluid Management System

### Software System

#### Operating Requirements for Matrix with ADP Approved Interface Software

The Graco ADP/Matrix interface can be used with ADP's Elite systems of 9200 or above. It must be running on a Dec Alpha or IBM hardware platform. Note: It CANNOT run on a Motorola 8800, 8400, or 8200.

Matrix systems are sold, installed, and supported through Graco's Matrix full line distributors with the exception of the interface product. Graco, directly with the end user, will configure and verify the interface product operation.

Here's how it works:

1. Distributor installs and verifies your Matrix system operation (less the interface).
2. Distributor contacts Graco and provides your contact information to begin the interface configuration process.
3. You complete a Graco Interface Agreement.
4. Graco contacts ADP for you to verify your system is configured to run the ADP/Matrix interface.
5. Graco Technical Support will contact you to assist you in configuring and testing your interface. It's that simple!

The first year maintenance fee will begin when Graco verifies that the interface connection is operational. **NOTE: The maintenance fee is based on per site installation defined by the end users ADP CMF number.** At the end of the first year maintenance fee, Graco Inc. will charge subsequent maintenance fees on a monthly basis to a major corporate credit card or the dealer can elect to be invoiced once per year and pay by check.

### System Software

#### Ordering Information

**253027** Matrix Full Line Software with ADP Approved Interface software CD and Matrix transceiver\*

\* The ADP/Matrix interface software includes the first year information system maintenance fee. This fee is non-refundable should the customer terminate interface service in the first year.



# Matrix

## Total Fluid Management System

### Matrix Meter

#### Ordering Information

- 246008** Matrix Meter (249881 Australia part number)  
One battery and black meter impact guard included.  
Extension kit is sold separately.
- 117310** Meter battery
- 246005** Rigid Extension
- 246007** Flexible Extension
- 246006** Gear Lube Extension
- 248319** Rigid anti-freeze extension
- 248320** Flexible anti-freeze extension,
- 246003** Oil quick close nozzle only
- 248318** Anti-freeze quick close nozzle only
- 15D587** Swivel cover

#### Color Coded Impact Guards

- 15D618** Black meter impact guard (supplied with meter 246008)
- 15F001** Red meter impact guard
- 15F002** Blue meter impact guard
- 15F003** Green meter impact guard
- 15F004** Yellow meter impact guard

#### Accessories and Kits

- 15B750** 16 gal and 55 gal meter mounting bracket
- 246438** Bezel repair kit
- 246439** Trigger repair kit (249883 Australia part number)
- 246675** Electronic repair kit (249882 Australia part number)
- 249440** Console bracket

#### Technical Specifications

Maximum Fluid Working Pressure	1500 psi (103 bar, 10.3 MPa)
Operating Fluid Pressure Range*	100 – 1500 psi (7 – 103 bar, 0.7 – 10.3 MPa)
Flow Range	0.26 – 5.0 gpm (1.0 – 18.9 lpm)
Weight (with battery and rigid nozzle extension)	6.07 lbs (2.75 kg)
Units of Measurement	Programmable in pints, quarts, gallons, or liters
Maximum Recorded Dispense Volume	999.99 units
Maximum Preset Volume	99.9 units
Inlet Size	1/2 npt(f)
Outlet Size	3/8 npt(f)
Operating Temperature Range	32°F – 120°F (0°C – 49°C)
Storage Temperature Range	-30°F – 120°F (-34°C – 49°C)
Battery (six month warranty)	9.6 VDC rechargeable NiMH
Battery Storage Temperature	50°F – 86°F (10°C – 30°C)
Wetted Parts	Zinc, stainless steel, carbon steel, polyurethane, nitrile rubber
Fluid Compatibility	Petroleum and synthetic based oils and anti-freeze mixtures (not compatible with fuel and windshield washer fluid)
Accuracy**	±0.5 % (may require calibration, out-of-box accuracy ±1.25 %)
Repeatability**	±0.15 %
US & Canada RF Communication	902 – 928 MHz frequency hopping, spread-spectrum
Australia RF Communication	915 – 928 MHz frequency hopping, spread-spectrum
Unobstructed RF Communication Range	300–500 ft (91.0 – 152.0 m) (based on typical automotive dealership application)
Obstructed RF Communication Range	250–300 ft (76.2 – 91.0 m) (based on typical automotive dealership application)
US Approvals	FCC
Canada Approvals	Industry Canada (IC) Conforms to Australian communication requirements
Warranty	Two years
Instruction Manual	309497

\* Specifications based on using 30W oil. Lighter viscosity fluids (ie, anti-freeze) will require a slightly higher inlet fluid pressure to open the Matrix valve

\*\* At 2.5 gpm (9.5 lpm), at 70°F (21°C) with 10W oil, and 1 gallon (3.76 liters) dispensed.

# Matrix

## Total Fluid Management System

### Tank Level Monitor

#### Ordering Information

**119274** Tank Level Monitor (120105 Australia part number)

#### Technical Specifications

Ultrasonic Tank Depth Measurement Range	0 – 30 ft. (0-9 m)
	(Not recommended for use with pressurized tanks)
Fluid Level Measurement Accuracy*	± 0.5%
Weight	2.34lb (1.06 kg)
Operating Temperature Range	-22°F - 122°F (-30°C - 50°F)
RF Operating Temperature Range	-40°F - 185°F (-40°C - 85°F)
Storage Temperature Range	-40°F - 185°F (-40°C - 85°F)
Batteries	(2) 9 VDC Alkaline only
US & Canada RF Communication	902-928 MHz frequency hopping, spread-spectrum
Australia RF Communication	915-928 MHz frequency hopping, spread-spectrum
Unobstructed RF Communication Range	300-500 ft (91.0 – 152.0 m)
	based on building construction and RF environment
Obstructed RF Communication Range	250-300 ft (76.2 – 91.0 m)
	based on building construction and RF environment
Totally Unobstructed RF Communication Range	0.25 mile/1,320 ft (.4 km/402.3 m)
	based on TLM and Transceiver mounting and RF environment
Intrinsic Safety	EXI for used in Class I, Division 1, Group D, Hazardous Locations when used with (2) 9-volt alkaline batteries.
	Ambient temperature range -22°F - 122°F (-30°C - 50°C).
	Temperature Code T3.

#### Vertical Tanks

Maximum volume	999,999 gallons or liters
Maximum height	30 ft (360 in.)

#### Cylindrical Tanks

Maximum volume	999,999 gallons or liters
Maximum diameter	30 ft (360 in.)
Maximum length	Unlimited

US Approvals . . . . . FCC, UL

Canada Approvals . . . . . Industry Canada (IC), cUL

Conforms to Australian communication requirements

Warranty . . . . . Two years

Instruction Manual . . . . . 309500

*Note: Do NOT use the Matrix Tank Level Monitor with gasoline, diesel fuel, or other flammable liquids, and materials with an auto ignition temperature below 419°F (215°C).*

*\*The difference in air temperature between the inside and outside of the tank may affect the accuracy of fluid levels.*

10

# Matrix

## Total Fluid Management System

### Battery Charger and Batteries

#### Ordering Information

- 117427** Single-Bay Charger (120110 Australia part number)
- 117429** 4-Bay Charger (120107 Australia part number)
- 117435** Extension Unit (used to convert a 4-bay charger to either a 5-bay or 6-bay charger)
- 117310** Meter battery

#### Technical Specifications

Charging Time	1-2 hours
Power Source	
Four-bay charger	120 VAC
Single-bay charger	120 VAC to 24 VDC plug in transformer
Operating Temperature Range	32°F - 122°F (0°C - 50°C)
Storage Temperature Range	-40°F - 185°F (-40°C - 85°C)
Humidity Range	0 - 95% rH non-condensing
Weight	
Four-bay charger	6.63 lbs (4.38 kg)
Single-bay charger	2.12 lbs. (0.96 kg)
Warranty	Two years
Battery Charger Instruction Manual	309502
Battery Charger Extension Manual	309499
	<i>(single bay extension for Four-Bay charger)</i>

### CleanLine Filter Assemblies

#### Ordering Information

- 248421** 900 psi tank mount CleanLine filter assembly (includes thermal relief)
- 248418** 900 psi wall mount CleanLine filter assembly (includes thermal relief)
- 248419** 1800 psi tank mount CleanLine filter assembly
- 248417** 1800 psi wall mount CleanLine filter assembly

#### Replacement Filters

- 15D702** 900 psi CleanLine screw-on type filter
- 119278** 1800 psi CleanLine filter element

### Anti-Freeze Pump Packages

#### Ordering Information

- 248321** Monark 5:1 wall mount anti-freeze pump package
- 248322** Monark 5:1 Tank Mount anti-freeze pump package
- 248323** President 3:1 Wall Mount anti-freeze pump package

### RS232 and/or RS422 Transceiver to PC Connection

#### Ordering Information

- 119435** RS232/422 converter
- 249019** RS422 connector and ferrule kit (10 connector/100 ferrules)
- 119645** RS422 connector crimping tool
- 119572** 1000 ft roll of RS422 cable
- 118346** 100 ft RS232 cable



# Matrix

## Tank Level Monitoring System

**For Sale to Authorized Distribution Only**

### Features and Benefits

- No wiring costs
- Local access to your data with no additional fees
- Simple tracking so you're never short on oil
- Easy to use system software and components
- Customizable to fit your business needs
- Wireless transmission and reception of tank level information makes it simple to track your entire facilities activities
- Precise measurement and control of key fluids means less waste

### Typical Application

- Oil tank farms
- Off-road fleets
- Car and truck dealerships
- In-plant lubrication
- Fast lubes

### Typical Fluids Handled

- Petroleum and synthetic based oil
- Anti-freeze
- Used oil
- Used anti-freeze



10

# Matrix

## Tank Level Monitoring System

### Software System

#### Ordering Information

Packaged with the Matrix Transceiver. May not be ordered separately.

#### Operating Requirements

During set up, the Matrix Software program and other files are decompressed and copied to the hard disk. Note: The system administrator function of the program must be set up before using the software or other system components.

This software is not compatible with Apple® Computers, and is not available for the Apple® Operating system.

Matrix software can be configured as a stand-alone PC or networked to multiple PC's (up to 25 client PC's) in a facility. If the application requires networking to more than 25 PC clients, please contact Graco. The PC requirements for the Matrix Server and MAtrix Client or shop PC's are noted below.

#### Server PC Hardware Requirements

- Windows® XP Professional or Home operating system
- Pentium® 4 or better processor
- Processor speed of 3.8 MHz or better
- RAM memory of 1 GB or better
- CD-RW or DVD/RW drive
- Serial port configuration for (1) RS232 and (1) USB connection

#### PC (Shop) Clients

- Windows® XP Professional or Home operating system
- Pentium® 4 or better processor
- Processor speed of 2.0 MHz or better
- RAM memory of 512 MB or better

### Transceiver and System Software

#### Ordering Information

- 249021** Transceiver and TLM Software (249885 Australia part number)
- 117256** Transceiver only (120108 Australia part number)
- 119425** Uninterruptible power supply (UPS)

#### Technical Specifications

Weight .....	1.0 lbs. (454 grams)
RF Communication .....	902-928 MHz frequency hopping, spread-spectrum
Unobstructed RF Communication Range .....	300 – 500ft (91.0 – 152.0 m)
Obstructed RF Communication Range .....	250 – 300ft (76.2 – 91.0 m)
RF Operating Temperature Range .....	-40°F – 185°F (-40°C – 85°C)
Power Supply .....	120 VAC to 12VDC plug in transformer
Approvals .....	FCC, Industry Canada (IC)
Warranty .....	Two years
Instruction Manual .....	309498



# Matrix

## Tank Level Monitoring System

### Tank Level Monitor

#### Ordering Information

**119274** Tank Level Monitor (120105 Australia part number)

#### Technical Specifications

Unobstructed RF Communication Range	300 – 500 ft (91.0 – 152.0 m)
Ultrasonic Tank Depth Measurement Range	0 – 30 ft. (0-9 m)
Not recommended for use with pressurized tanks.	
Fluid Level Measurement Accuracy*	± 0.5%
Weight	2.34lb (1.06 kg)
Operating Temperature Range	-22°F - 122°F (-30°C - 50°F)
RF Operating Temperature Range	-40°F - 185°F (-40°C - 85°F)
Storage Temperature Range	-40°F - 185°F (-40°C - 85°F)
Batteries	(2) 9 VDC Alkaline only
RF Communication	902-928 MHz frequency hopping, spread-spectrum
Unobstructed RF Communication Range	300-500 ft (91.0 – 152.0 m) based on building construction and RF environment
Obstructed RF Communication Range	250-300 ft (76.2 – 91.0 m) based on building construction and RF environment
Totally Unobstructed RF Communication Range	0.25 mile/1,320 ft (4 km/402.3 m) based on TLM and Transceiver mounting and RF environment
Intrinsic Safety	EXI for used in Class I, Division 1, Group D, Hazardous Locations when used with (2) 9-volt alkaline batteries. Ambient temperature range -22°F - 122°F (-30°C - 50°C). Temperature Code T3.
Vertical Tanks	
Maximum volume	999,999 gallons or liters
Maximum height	30 ft (360 in.)
Cylindrical Tanks	
Maximum volume	999,999 gallons or liters
Maximum diameter	30 ft (360 in.)
Maximum length	Unlimited
Approvals	FCC, Industry Canada (IC), UL, cUL
Warranty	Two years
Instruction Manual	309500

*Note: Do NOT use the Matrix Tank Level Monitor with with gasoline, diesel fuel, or other flammable liquids, and materials with an auto ignition temperature below 419°F (215°C).*

*\*The difference in air temperature between the inside and outside of the tank may affect the accuracy of fluid levels.*

### RS232 and/or RS422 Transceiver to PC Connection

#### Ordering Information

<b>119435</b>	RS232/422 converter
<b>249019</b>	RS422 connector and ferrule kit (10 connector/100 ferrules)
<b>119645</b>	RS422 connector crimping tool
<b>119572</b>	1000 ft roll of RS422 cable
<b>118346</b>	100 ft RS232 cable

10

# Horizon™ System

## Electronic Fluid Management

---

### Features and Benefits

- Allows multiple technicians to dispense simultaneously
- Easily configured and expandable for any facility
- Increases technicians productivity
- Password-protected to prevent unauthorized dispensing
- Tracks inventory levels and alerts operators to low-inventory conditions to minimize out-of-stock situations

### Typical Application

- Bulk-dispensing to multiple service bays
- Automotive dealerships
- Heavy-duty dealerships
- Fleet service facilities

### Typical Fluids Handled

- Petroleum and synthetic based oils
- Anti-freeze



10

# Horizon System

## Electronic Fluid Management

### Technical Specifications

#### System Specifications

Control Modules on a System (1 Master only, plus 39 Slaves)	40 maximum
Keypads on a System (1 keypad per Control Module)	40 maximum
Solenoids on a System (40 Control Modules, 6 ports each)	240 maximum
Meters on a System (40 Control Modules, 6 ports each)	240 maximum
Fluids on a System	10 maximum
Dispense Areas (reel banks)	99 maximum
Operator Names / PIN Numbers	100 maximum
Dispense Records Stored	668 maximum
Simultaneous Dispenses (same and/or different fluids)	12 maximum
Jobs Waiting in Queue	12 maximum
Printer per System OR Attached Computer per System (either must be connected to Master Control Module)	1 maximum
Accuracy of System	±0.6%

#### Control Module Ports

Solenoid Ports (air or fluid) per Control Module	6
Pulse Meter Ports per Control Module	6
Port for Keypad per Control Module	1
Port for Printer or Computer per Master Control Module	1

#### Voltage Input

90-120 Volts AC, 50/60 Hz, single phase, 2 amps maximum draw

208-240 Volts AC, 50/60 Hz, single phase, 1 amp maximum draw

**Operating Temperature Range** 40 to 140°F (4 to 60°C) ambient

#### Pre-set or Free-flow Options

Maximum Preset or Free-Flow Dispense	999.9 units
Minimum Preset Dispense	0.5 units

#### Units of Measure

Dispense: liters, quarts, gallons or pints (configurable for each fluid)

Inventory: liters or gallons (dependent upon dispense units chosen)

#### Maximum Cable Lengths

From Keypad to Control Module	50 ft (15.3 m)
From Solenoid to Control Module	50 ft (15.3 m)
From Pulse Meter to Control Module	50 ft (15.3 m)
From Printer/Computer to Master Control Module	50 ft (15.3 m)
From one end of the Control Module Network to the other end (daisy-chained)	2000 ft (610 m)

#### Reference Data

Instruction Manual	308607
--------------------	--------

# Horizon System

## Electronic Fluid Management

### Components and Accessories

#### Control Module

**238624** Master Control Module (one per system)

**238625** Slave Control Module (up to 39 per system)

The control module is the operating intelligence of the Horizon System through which all commands pass. There are two versions: the Master and the Slave. Both perform similar functions (driving air and fluid solenoids, and counting pulses from meters) and have on-board memory that contains a map of available system resources, and a power supply that supports both 120 and 240 Volt AC operation. There must be only one Master Control Module, and up to 39 Slave Control Modules per system.



238624

#### Keypads: Basic, Enhanced and Administrative

Keypads are used to:

- Request dispense jobs
- Configure the system
- Monitor system activity

**113551** Basic Keypad

Has a set of large numeric keys and the additional keys needed to navigate through the Horizon's menus (up and down arrows, HOME, BACK, and the ENTER).

**113553** Administrative Keypad

This keypad is needed to set up and make changes to the system parameters. The administrative keypad has both alpha and numeric keys for system set-up and programming.

**191368** Keypad Wall-Mounting Bracket



113553

113551

#### Air Solenoids

**215407** For Pumps Requiring Normal Air Flow (Mini Fire-Ball 225, 3:1 and Fire-Ball 300, 5:1)

**512926** For Pumps Requiring Higher Air Flow (Fire-Ball 425, 6:1 and 3:1)

Air solenoids open and close the air supply to the fluid pump air motor.

Each solenoid can be up to 50 ft (15.3 m) from a Control Module.

Up to 6 solenoids (either air or fluid) can be connected to each Control Module.



215407

# Horizon System

## Electronic Fluid Management

### Fluid Solenoids

- 215487** Low-flow: supports 3 gpm (11.4 lpm)
- 512927** Higher-flow: supports up to 6 gpm (22.7 lpm)
- 514150** Anti-Freeze Solenoid

Fluid solenoids start and stop the fluid dispense cycles. These must be placed at each dispense point for each fluid being dispensed. Each fluid solenoid can be up to 50 ft (15.3 m) from a control module. Up to 6 solenoids (either air or fluid) can be connected to each control module. The low-flow model is available in a kit with a ready light which alerts the operator when the job is ready to dispense.

- 218588** Low-flow Solenoid with Ready Light Kit
- 238996** Ready Light Kit (only; less the solenoid)



### Pulse Meters

- 238618** For Oils, Gear Lube, Automatic Transmission Fluid
- 215474** For Anti-Freeze

Pulse meters measure fluid flow to dispense points and send a train of pulses back to the Control Modules. The Control Modules count these pulses to determine how much fluid has been dispensed. If there are multiple meters for a single fluid, check valves #111620 should be placed in series with each meter to prevent "cross talk" and oscillations. Pulse Meters can be used for either U.S. or metric units.

- 102527** Thermal Relief Valve, 900 psi (62 bar). *See additional relief kits below*
- 111620** Check Valve, 1/2 in



### Thermal Relief Kits

- 235998** 600 psi (41 bar)
- 237893** 900 psi (62 bar)
- 240429** 1600 psi (110 bar)

### System Printer

- 113774** Printer
- 514037** Printer Paper, 1 roll

The system printer prints out individual job tickets after each dispense transaction is complete. These dispense reports can be torn off immediately or saved for later analysis.



### System Cables

A number of different cables are available for the Horizon system. When a definite length is required, the cable will come with connectors already attached. Other cables will come in bulk form to allow the installer to use whatever length is needed.

### Keypad or Printer

- 191393** Cable with Connectors. Length: 25 ft (7.6 m)
- 191394** Cable with Connectors. Length: 50 ft (15.3 m)

### Control Module Network

- 113559** Bulk Cable. Length: 500 ft (152.5 m)
- 113560** Bulk Cable. Length: 1000 ft (305 m)

### Pulse Meters

- 113555** Length: 500 ft (152.5 m)
- 113556** Length: 1000 ft (305 m)

### Solenoids

- 113557** Length: 500 ft (152.5 m)
- 113558** Length: 1000 ft (305 m)

### Computer (includes connectors)

- 192873** Computer I/O 25 ft (7.6 m)
- 192874** Computer I/O 50 ft (15.3 m)

# Fluid Commander™

## Electronic Fluid Management

### Features and Benefits

- Provides increased accuracy over mechanical counters
- PIN code prevents unauthorized dispensing
- Dispense totals tracked by location
- Easy to read display
- Accurate controlled dispense with parts room authorization

### Typical Application

- Parts room authorized dispensing for inventory control
- Automotive dealerships
- Heavy-duty dealerships
- Fleet service facilities

### Typical Fluids Handled

- Petroleum and synthetic based oils
- Anti-freeze



### Technical Specifications

Maximum Number of Fluids	1 or 2
Dispense Stations/Bays	6 or 12
Air Solenoids Required	1 (per pump)
Fluid Solenoids Required	1 (per fluid dispense station)
Electrical Requirements	120 V, 60 Hz, .25 amps
Weight	4 lb, 5 oz. (8.0 kg)
Wiring Requirements	90V; 2-wire
Distance/Gauge	200 ft (61 m) = 18 gauge 201 to 500 ft (61 m to 152 m) = 16 gauge 501 ft (152 m) or more = 14 gauge
Instruction Manual	308238

### Easy to Use

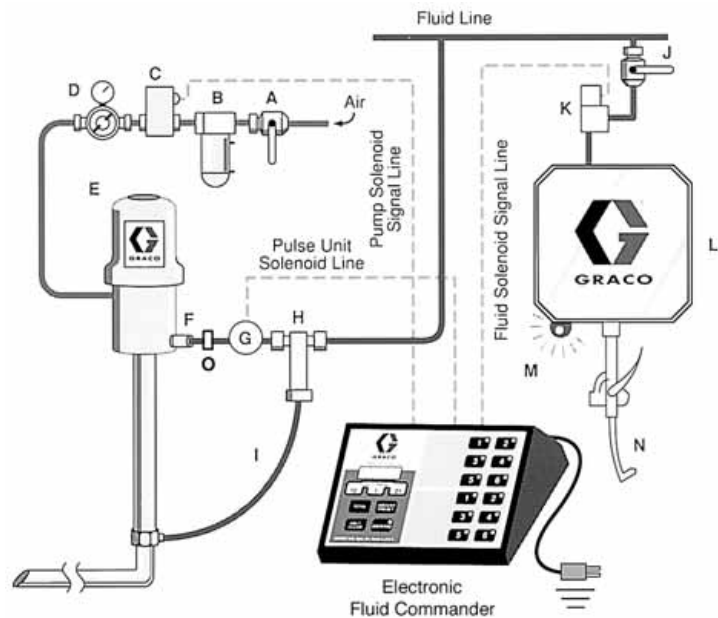
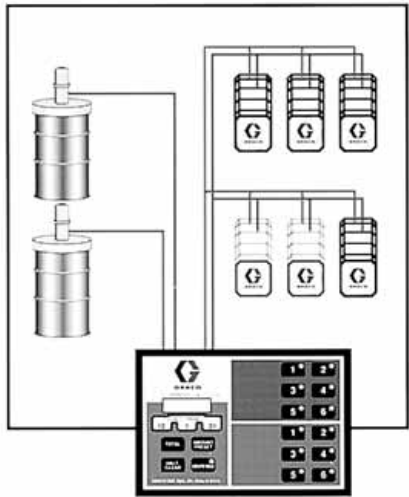
1. Service technician enters the service bay number, type of product, and amount to be dispensed, then activates the dispense button.
2. A "ready" light (located on the hose reel or dispense bar of the target service bay) signals when dispensing can begin.
3. As fluid is dispensed, the Fluid Commander tallies the amount dispensed and shuts-off when the pre-set amount is reached. No further dispensing takes place until new dispensing data is entered.

10



# Fluid Commander

## Electronic Fluid Management



### Fluid Commander System (U.S. Measures)

System for 2 products and 6 stations ..... **232076**

Includes:

- One 2-product/6-station Fluid Commander ..... 235532
- Oil meter ..... 236763
- Fluid solenoid valve ..... 215487
- Air solenoid valve ..... 215407
- Check valve ..... 111620

System for 1 product and 12 stations: ..... **241905**

Includes:

- One 1-product/12-station Fluid Commander ..... 235531
- Oil meter ..... 236763
- Fluid solenoid valve ..... 215487
- Air solenoid valve ..... 215407
- Check valve ..... 111620

### Fluid Commander System (Metric Measure)

System for 2 products and 6 stations ..... **240448**

Includes:

- One 2-product/6-station Fluid Commander ..... 232077
- Oil meter ..... 236764
- Fluid solenoid valve ..... 215487
- Air solenoid valve ..... 215407
- Check valve ..... 111620
- Instruction manual ..... 308238

### Typical Layout of System with Fluid Commander In Place

- A. Air shut-off valve, bleed type (110224)
- B. Air filter (106148)
- C. Air solenoid valve (215407)
- D. Air regulator and gauge (109075)
- E. Pump
- F. 40-mesh fluid strainer (223179)
- G. Pulse meter (236763; 236764)
- H. Thermal relief kit\*
- I. Fluid drain hose
- J. Fluid shut-off valve (108458)
- K. Fluid solenoid valve\*\* (215487)
- L. Hose reel
- M. Ready-to-dispense indicator light\*\* (238996)
- N. Dispense valve
- O. 1/2 npt check valve (111620)†

\*Kit required to protect system from rupture due to thermal expansion of fluid lines.  
See instruction manual 308403.

\*\*#218588 includes #238996 and #215487.

Note: For tank packages, pressure reliefs from instruction manual 308403 must be installed on outlet with pressure going either back to vent into the tank or to a container installed under the exit or relief valve.

† Required to ensure meter accuracy.

# Fluid Commander

## Electronic Fluid Management

### Accessories

- 236763** Pulse Meter (quarts)
- 236764** Pulse Meter (liters)
- 215474** Pulse Meter (quarts)
- 215745** Pulse Meter (liters)
- 244404** Anti-Freeze Pulse Meter (quarts) 215474 with converter box 244342
- 244342** Meter Pulse Converter  
Used when upgrading old-style modular fluid commander to electronic. This allows use of 215474/215475 with the EFC. Instruction manual 309276.
- 215407** Air Solenoid Valve 150 psi (10 bar)  
(1/2 npsm(f) conduit ports for wiring; 1/4 npt(f) air ports, adapted to 3/8(f) IN, 3/8(m) OUT) Operates on 24V DC and 110 VAC. Automatically shuts-off air inlet to pump when pre-set dispensed amount is reached. Materials of construction: brass, SST, Buna.
- 105474** Air Solenoid Valve 150 psi (10 bar) (bare)  
Same as #215407 but without wiring connectors or adapters.  
1/2 npsm(f) conduit ports for wiring; 1/4 npt(f) air ports.  
150 psi (10.3 bar) maximum working pressure.
- 514150** Fluid Solenoid Valve (anti-freeze) 1/2 npt(f)  
Same as #215487, but for use with anti-freeze.
- 215487** Fluid Solenoid Valve 1/2 npt(f) 3000 psi (207 bar)  
Operates on 24V DC. Automatically shuts-off fluid when pre-set dispensed amount is reached. Includes tube, valve, pin connector, wire plug connector and adapter.
- 110025** Fluid Solenoid Valve 1/2 npt(f) 3000 psi (bare)  
Same as #215487 above, but without wiring connectors or adapters.
- 218588** Ready-Light Kit  
Signals operator when dispensing can begin. Includes 'ready to dispense' indicator light #239019, strainer #240417, fluid solenoid valve #215487 and hardware. Instruction manual 307696.
- 238996** Ready-Light with Junction Box (no solenoid or strainer)
- 239019** Ready-to-Dispense Indicator Light Only
- 113859** Lamp for Indicator Only
- 223179** Fluid Filter Kit (for bare electronic meter)
- 186472** Wall-Mounting Bracket
- 108458** Fluid Shut-Off Valve
- 237893** Thermal Relief Kit for 900 psi (62 bar)  
Relieves excess heat-induced pressure from dispense system.  
Male and female ends allow for simple installation. Instruction manual 308403.



215407



215487



kit 218588 shown



215481

### Connecting Cables

For connecting solenoids and consoles. 90-volt, 2-wire, 18-gauge.

- 215481** 100 ft (30.5 m) Pre-connected at both ends
- 215480** 10 ft (3.1 m) Pre-connected at both ends



---

# Table of Contents

## Used-Oil Handling Packages

---

Used-Oil Handling Packages .....	132-135
Notes .....	136

# Used-Oil Handling Packages

## Oil King™, Coolant King™, and Oil Ace™

### Oil King and Coolant King

#### Features and Benefits

- Large 25 gallon capacity with sight gage
- Convenient tool trays and filter areas
- Large offset collection pan with screen
- Oversized tires to get over hose and rough floors
- Color specific receiver for easy identification

#### Typical Application

- Used fluid receiver
- Automotive dealerships
- Heavy-duty dealerships
- Fast lube centers
- Fleet service facilities
- Service shops

#### Typical Fluids Handled

- Used oil – Oil King
- Used antifreeze – Coolant King



#### Ordering Information

##### 238866 Oil King 25 gal (95 l) Used-Oil Receiver

Polyethylene tank with used-filter tray, tool holders and sight gauge. Includes all hardware for topside evacuation or bottom drain\*. Instruction manual 308667.

*\* Must use 222090 or 224873 for topside evacuation.  
Must ship via truck.*

##### 248632 Coolant King Used Anti-Freeze Receiver

Polyethylene tank with used-filter tray, tool holders and sight gauge. Includes all hardware for topside evacuation or bottom drain.

### Oil Ace

#### Features and Benefits

- Easy to drain using shop air pressure
- Large 24 gallon capacity
- Large offset collection pan with screen

#### Typical Application

- Pressurized used oil receiver
- Automotive dealerships
- Heavy-duty dealerships
- Service shops
- Fast lube centers
- Fleet service facilities

#### Typical Fluids Handled

- Used Oil



#### Ordering Information

**119577 Oil Ace 24 gal (90 l) Steel-tank Pressurized Oil Drain**

# Used-Oil Handling Package

## Oil Drains and Accessories

### Ordering Information

- 239301 16 gal (60 l) Used-Oil Receiver with drum.**  
Use with evacuation kit #240832. Instruction manual 306449.
- 239302 16 gal (60 l) Used-Oil Receiver without drum**  
Instruction manual 306449.
- 243650** Funnel Kit for 238866, 239301, 239302 and 248632. Includes tray and pipe.
- 225272 Pedestal Receiver**  
Telescoping funnel includes splash cover and adjusts/locks from 47 to 68 in. (119 to 172 cm) high. Funnel has internal automatic check-valve to hold used oil until it is drained (see accessories below): 3 gal (11.3 l) bowl capacity. Instruction manual 306077.
- 154616 Wall-Mounted Funnel Drain**  
Use with Pedestal Receiver #225272 to open automatic check-valve and drain used oil through wall to waste tank. Drain has 1-1/4 npt(f) outlet.
- 156789 Drum-Mounted Funnel Drain**  
Use with Pedestal Receiver (#225272) to open automatic check-valve and drain used oil into standard drum. Funnel drain has 2 npt bung fitting for use with 55 gal (210 l) or 16 gal (60 l) drums, or 275 gal (1,100 l) tanks.
- 208009 ATF Drain Funnel**  
Use with Pedestal Receiver #225272 to extend funnel reach. Use for draining transmissions. (Not equipped with drain plug.) 16" x 24 1/2"
- 218969 Rolling Used-Oil Receiver**  
Specially designed for car and truck fast-lube facilities where speed and mobility are important. Adjustable steel rollers fit track widths of 39 in (99 cm) to 46 inches (117 cm), with a minimum running width of 2-1/2 in (63.5 mm). Front and rear drain fittings allow use of two drains on a single track, permitting two receivers to be drained simultaneously. Instruction manual 307727. Unit includes: 30 gal (114 l) steel tank, 1-1/2 npt drain valve #108204, 1-1/2 npt quick coupler #108202 and 1-1/2 npt coupler cap. Dimensions: 24 in (61 cm) wide; 33 in (84 cm) long; 11 in (28 cm) deep; 3 in (7.6 cm) diameter wheels. 1-1/2" drain hose — see manual provided.
- 235346 Narrow Rolling Used-Oil Receiver**  
Same as #218969 above, except track width range is from 34.2 in (87 cm) to 42.2 in (108 cm). 27 gal (102 l) capacity. Instruction manual 307727.  
*See accessories on page 101.*
- 244055 Big Hauler™ Truck Drain**  
Specially-designed for truck maintenance facilities, the Big Hauler Truck Drain boasts a large capacity and easy maneuverability. Dimensions: 42 in (106.7 cm) long; 30 in (76.2 cm) wide; 9 in (22.9 cm) deep. Capacity: 26 gallons (98 l). Instruction manual 309194. Gravity drain valve at bottom of unit allows for easy drain access. 3/4" npt outlet can also be used with 224873 or 222090 for diaphragm evacuation. 240832 can be ordered separately for existing diaphragm pump evacuation systems. Instruction manual 308719.



239301



225272



208009



218969



244055

# Used-Oil Handling Packages Evacuation Systems

## Packages for Used-Oil Evacuation with Air-Operated Diaphragm Pumps

### Package #222090 includes:

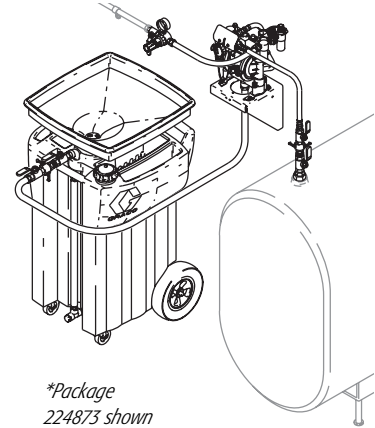
- 236265 1040 (1 in) diaphragm pump
- 189233 Wall bracket
- 240684 Air installation kits
- 240685 Fluid installation kits
- 240832 Drum style adapter kits

### Wall-mounted Package #224873 includes:

- 241906 716 (3/4 in) diaphragm pump
- 224835 Wall bracket
- 240684 Air installation kits
- 240685 Fluid installation kits
- 240832 Drum style adapter kits

See instruction manual 308719 for more information.

*Used-oil receivers are not included and must be ordered separately.*



*\*Package  
224873 shown  
(Package does not include  
238866 receiver or tank)*

## Stationary Gear-Oil Evacuation Systems with 716 or 1040 Diaphragm Pump

System evacuates lube from differential case using suction generated by a diaphragm pump. Nylon tubes ranging in size from 3/16 in OD to 1/2 in OD are included to fit through sight plug to completely drain the case. Evacuated gear lube is then pumped to waste tank. Piping and waste tank not included. Systems are fully-groundable and bondable for safe transfer of used oil.

**224955** Includes: 716 diaphragm pump #241906, air control kit #110149, mounting kit #224759, swivel union #157785, hose coupler #111474, suction hose/wand\*\* #221146 and control valve\*\* #220969.

**222148** Includes: UL-listed 1040 diaphragm pump #236265, air control kit #221147, hose and fitting kit #222149, evacuation control valve #220969, suction hose/wand\*\* #221146 and wall bracket #189233.

*\*\*Order additional suction hose/wand #221146 and additional control valve #220969 for each additional suction point.*

*Note: Order grounding clamp #222011 or use locally-supplied grounding wires and clamps in accordance with applicable codes.*

### Port-Evac Pump

Allows fast, clean withdrawal of gear lube, ATF, anti-freeze, and related fluids.

**223695** Port-Evac  
Includes: 716 diaphragm pump #241906, mounting kit with 10 ft (3 m) suction hose #223697 which attaches to wands of four different diameters (suction wand kit #223696): 1/2 in (12.7 mm); 3/8 in (9.5 mm); 1/4 in (6.4 mm), and 3/16 in (4.7 mm).  
Instruction manual 308035.

### Suction Wand Kits

- 223696** 15 in (38.1 cm)
- 224762** 48 in (121.9 cm)



223695

# Used-Oil Handling Packages

## Used-Oil Handling Accessories

### Used-Oil Handling Accessories

#### 218970 Tandem Drain Kit

Tandem drain kit connects two rolling receivers for flow-through draining operation. Kit includes connector hose, shut-off valve, pipe nipple, and quick-connect nipple. Instruction manual 307727.



108201

#### 108491 Drain Hose Kit

Allows rolling used-oil receiver to be drained directly into the used-oil line. Kit is 24 in (0.6 m) in length with camlock coupler on one end.



#### 221007 Swing-Arm Drain Kit

Used for servicing single rolling used-oil receiver #218969. When used with tandem drain kit #218970 it can service two receivers on a single track. Kit includes swivel elbow #108867, connector hose #111931, dust cap #108203 and male adapter #108202.



218970

#### 116229 Oil Tank Monitor

Shuts off air to the pump when tank is full. Mounted at either end of fast lube service pit, swing-arm drain stores against pit wall and is rotated into position for use.



116229

#### 223888 Accessories for Port-Evac Pump (223965)

6 ft (1.8 m) suction hose for ATF and anti-freeze. Includes filter screen.

### Accessories

#### 222178 U-Tube for Used-Oil Drain Cart Evacuation System (222148)

Size: 1/2 npt(mbe).

#### 222011 Grounding Clamp for all Used-Oil Handling Systems

Includes 25 ft (7.6 m) grounding wire.

### Fas-Vac Evacuation Systems

#### 224667\* Fas-Vac Evacuation System (without drum)

Basic System includes 716 diaphragm pump and mounting hardware. Instruction manual 308154.

#### 224700\* 16-gal (60 l) System with 16-gal. (72.7 l) drum

Includes pump #224667, dolly #224665, wand storage kit #224666, evacuation hose #224669 and 16 gal drum #111468. Instruction manual 308154.

#### 224763\* 16-gal (60 l) System (without drum)

Includes same items as #224700 above, but no drum. Instruction manual 308154.

#### 224701\* 55-gal (200 l) System (without drum)

Includes pump #224667, 55 gal (200 l) drum truck #111470, wand storage kit #224666 and evacuation hose #224702. Instruction manual 308154.

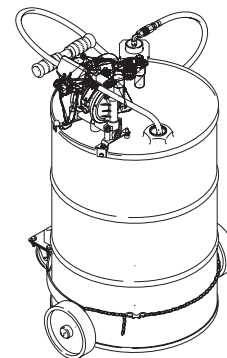
#### 187359 4-Way Valve

1/2 npt(f) ports

*\*224759 FLR mounting kit and 110149 FRL must be ordered separately. See instruction manual 308163.*



223888



224701





---

# Table of Contents Accessories

---

Airline Accessories .....	138
Air and Water Accessories .....	139
Hoses and Fittings .....	140-143
Notes .....	144

# Airline Accessories

## Air Filters

Centrifugal action 1/4, 3/8 and 1/2 npt. (with 20 micron filters); 3/4 npt having 40 micron filters to remove water and foreign particles from air supply.

- 110146** 1/4 npt(fbe)
- 106148** 3/8 npt(fbe)
- 106149** 1/2 npt(fbe)
- 106150** 3/4 npt(fbe)

## Automatic Filter Drain

Float-type drain for automatic emptying of accumulated fluid in a filter assembly.

- 106151** 1/4 npt(m) (does not fit air filter #110146)

## Air Regulators

Precision control of outlet air pressure. Feedback principle provides constant pressure to pump regardless of air demand rate and fluctuations in supply pressure. (Additional fittings are required except on air regulators with installation kits.)

- 110318** 1/4 npt(fbe)
- 110147** 1/4 npt(fbe) with gauge
- 110234** 3/8 npt(fbe)
- 109075** 3/8 npt(fbe) with gauge
- 202858** 3/8 npt(m) x 1/2 npsm(f) with gauge
- 104266** 1/2 npt(fbe)
- 244844** 1/2 npt(fbe) with gauge
- 207755** 3/4 npt(fbe)
- 244845** 3/4 npt(fbe) with gauge

## Installation Kits

Installation kits include: shut-off valve, regulators, gauges and fittings as necessary for normal installation.

- 218316** Installation kits for Fast-Flo, Fire-Ball, or Husky 307 and 716 diaphragm pumps
- 224512** Installation kits for Mini Fire-Ball 225 and Fire-Ball

## Air Lubricators

Extends pump life and smooths pump movement by applying measured lubricant to all moving parts within the pump air motor. Control knob and sight window allow adjustment of dispensed lubricant.

- 110148** 1/4 npt(fbe)
- 214847** 3/8 npt(fbe)
- 214848** 1/2 npt(fbe)
- 214849** 3/4 npt(fbe)

## FRL Combination Units

Each includes filter, regulator, pressure gauge, lubricator and connection fittings.

- 110149** 1/4 npt(fbe)
- 110150** 3/8 npt(fbe)
- 217072** 1/2 npt(fbe)
- 217073** 3/4 npt(fbe)

## Bleed-type Air Shut-off Valves

Closes air inlet to pump and relieves trapped air pressure downline from valve. Recommended for each pump drop line. (Note: Be certain to install correctly: if installed backwards air will constantly escape from the valve.)

- 110223** 1/4 npt(fbe)
- 110224** 3/8 npt(fbe)
- 110225** 1/2 npt(fbe)
- 110226** 3/4 npt(fbe)
- 107142** 1/2 npt(mxf)
- 107141** 3/4 npt(mxf)

## Air Line Shut-off Valves

Ball valve-type air line shut-off valve; non-pressure relieving.

- 208390** 1/4 npt(mbe)
- 208393** 3/8 npt(mbe)
- 208630** 1/2 npt(m) x 3/8 npt(f)
- 109077** 3/4 npt(fbe)
- 118464** 1 npt(fbe)

## Quick-Connect Coupler

Permits quick, convenient attachment of air supply hoses.

- 208536** 1/4 npt(fbe)
- 110198** 3/8 npt(f)
- 110199** 1/2 npt(f)
- 110200** 3/4 npt(f)



# Air and Water Accessories

## Quick-Connect Nipple

Allows quick attachment of air supply hoses to pump motor.

- 169970** 1/4 npt(m)
- 169967** 1/4 npt(f)
- 169971** 3/8 npt(m)
- 110196** 1/2 npt(m)
- 110197** 3/4 npt(m)



169970

## Air Needle Valve

Controls pump speed by restricting air flow to pump or other air-operated equipment.

- 205090** 1/4 npt(f) outlet port; 1/4 npt(m) inlet port
- 206264** 1/8 npt(f) outlet port; 1/4 npt(m) inlet port



205090

## Air Pressure Relief Valve

Prevents pump from operating beyond recommended working pressure by opening at a pre-set maximum air pressure.

- 103347** 90 psi (6 bar)
- 110065** 60 psi (4 bar)



110065

## Air Pressure Gauge

Allows visual check of air pressure being supplied to the pump. Rated to 200 psi (14 bar).

- 110319** 1/8 npt(m) bottom inlet; black
- 100960** 1/4 npt(m) bottom inlet; black
- 101180** 1/4 npt(m) bottom inlet; chrome



100960

## Manifold

Supply several pumps from a common air supply line. Air inlet port is larger than delivery ports to ensure adequate air flow to all pumps.

- 158990** Four outlet ports; 3/8 npt(f)
- 601950** Three outlet ports; 1/2 npt(f)



158990

## Runaway Valve

Prevents pump damage by automatically closing the air line to stop the pump when a runaway pump condition occurs due to an empty barrel or hose leak.

- 224040** 3/4 npt(fbe)



224040

## Blow Guns

Connects to coupler 208536.

- 208627** Air Blow Gun  
1/4 npt(f)

- 236211** Safety Blow Gun

Tip swivels freely and cannot be removed. Tip pressure will not exceed 30 psi (2 bar), yet provides an adequate blast of air for cleaning. Maximum Working Pressure 150 psi (10 bar).



208627

## Tire Inflators

- 236205** Heavy-Duty Tire Inflator

Includes 12 in (30 cm) hose with swivel dual-foot chuck and pop-out gauge. Tapered chuck nut fits wheel-cover holes on cars and light trucks. Gauge ranges from 0-120 psi in 2 psi increments. Maximum Working Pressure 250 psi (18 bar), 1/4 npt(f) inlet.

- 236206** Passenger Car Tire Inflator

Includes 12 in (30 cm) hose with straight-on chuck and pop-out gauge. Tapered chuck nut fits wheel cover holes on cars and light trucks. Ideal for use on reels. Gauge ranges from 0-90 psi in 2 psi increments. Maximum Working Pressure 250 psi (18 bar), 1/4 npt(f) inlet.



236206

- 218545** 1/4 npt(f) Tire Chuck

Durable, full-volume tool for adding/relieving air pressure.



236211

## Water Valve

- 180685** Water/Anti-Freeze Bibb

Durable, full-volume dispense nozzle for water, anti-freeze and windshield wash fluid. (1/4 npt(f) inlet).



180685

# Hose and Fitting Accessories

## Lubrication Hoses (Grease)

Heavy-duty reinforced hose for use with grease, oil and undercoating material. All hoses are black, male at both ends. Lubrication hoses listed herein are grounded for static electrical discharge.

### 1/4 in ID hoses with maximum pressure rating of 5000 psi (345 bar)

Part No.	Length	Fittings
109145	12 in (0.3 m)	1/8 in x 1/8 in with bend restrictor
109146	15 in (0.4 m)	3/8 in x 3/8 in (9.5 mm x 9.5 mm)
109147	24 in (0.6 m)	3/8 in x 3/8 in (9.5 mm x 9.5 mm)
109148	30 in (0.8 m)	1/8 in x 1/8 in with bend restrictor
109149	48 in (1.2 m)	1/4 in x 1/4 in (6.4 mm x 6.4 mm)
109150	72 in (1.8 m)	1/4 in x 1/4 in (6.4 mm x 6.4 mm)
109151	12 ft (3.6 m)	1/4 in x 1/4 in (6.4 mm x 6.4 mm)
109152	15 ft (4.6 m)	1/4 in x 1/4 in (6.4 mm x 6.4 mm)
109153	20 ft (6.1 m)	1/4 in x 3/8 in (6.4 mm x 9.5 mm)
109154	25 ft (7.6 m)	1/4 in x 1/4 in (6.4 mm x 6.4 mm)
109156	35 ft (10.6 m)	1/4 in x 3/8 in (6.4 mm x 9.5 mm)
109157	40 ft (12.2 m)	1/4 in x 3/8 in (6.4 mm x 9.5 mm)
109158	50 ft (15.3 m)	1/4 in x 3/8 in (6.4 mm x 9.5 mm)

### 3/8 in ID hoses with maximum pressure rating of 4000 psi (276 bar)

Part No.	Length	Fittings
109160	12 in (0.3 m)	1/4 in x 1/2 in (6.4 mm x 12.7 mm)
109161	24 in (.62 m)	3/8 in x 3/8 in (9.5 mm x 9.5 mm)
109162	48 in (1.2 m)	3/8 in x 3/8 in (9.5 mm x 9.5 mm)
109163	72 in (1.8 m)	3/8 in x 3/8 in (9.5 mm x 9.5 mm)
109165	15 ft (4.6 m)	1/4 in x 1/4 in (6.4 mm x 6.4 mm)
109167	25 ft (7.6 m)	1/4 in x 1/4 in (6.4 mm x 6.4 mm)
109169	40 ft (12.2 m)	1/4 in x 3/8 in (6.4 mm x 9.5 mm)
109170	50 ft (15.3 m)	1/4 in x 3/8 in (6.4 mm x 9.5 mm)

## Lubrication Hoses (Oil)

### 1/2 in ID hoses with maximum pressure rating of 3000 psi (207 bar)

Part No.	Length	Fittings
220604	12 in (0.3 m)	1/2 in x 1/2 in (12.7 mm x 12.7 mm)
110069	15 in (0.4 m)	1/2 in x 1/2 in (12.7 mm x 12.7 mm)
220598	18 in (0.5 m)	1/2 in x 1/2 in (12.7 mm x 12.7 mm)
220600	54 in (1.4 m)	1/2 in x 1/2 in (12.7 mm x 12.7 mm)
220591	72 in (1.8 m)	1/2 in x 1/2 in (12.7 mm x 12.7 mm)
220590	10 ft (3.1 m)	1/2 in x 1/2 in (12.7 mm x 12.7 mm)
220592	16 ft (4.9 m)	1/2 in x 1/2 in (12.7 mm x 12.7 mm)
220593	20 ft (6.1 m)	1/2 in x 1/2 in (12.7 mm x 12.7 mm)
220608	25 ft (7.6 m)	1/2 in x 1/2 in (12.7 mm x 12.7 mm)
221092	40 ft (12.2 m)	1/2 in x 1/2 in (12.7 mm x 12.7 mm)
221093	50 ft (15.3 m)	1/2 in x 1/2 in (12.7 mm x 12.7 mm)
237861	75 ft (22.9 m)	1/2 in x 3/4 in (12.7 mm x 19.1 mm)

# Hoses and Fittings

## Accessories

### Lubrication Hoses (oil) continued

#### 3/4 in ID hoses with maximum pressure rating of 2250 psi (155 bar)

Part No.	Length	Fittings
109108	18 in (0.4 m)	3/4 in x 3/4 in (19.1 mm x 19.1 mm)
109105	72 in (1.8 m)	3/4 in x 3/4 in (19.1 mm x 19.1 mm)
111010	10 ft (3.0 m)	3/4 in x 3/4 in (19.1 mm x 19.1 mm)
237865	75 ft (22.9 m)	1/2 in x 1 in (12.7 mm x 25.4 mm)
237866	50 ft (15.2 m)	1/2 in x 1 in (12.7 mm x 25.4 mm)

#### 1 in ID hoses rated to maximum pressure of 125 psi (8.7 bar)

Part No.	Length	Fittings
249058	50 ft (15.2 m)	1 in x 1 in (25.4 mm x 25.4 mm)

#### 1 in ID hoses rated to maximum pressure of 212 psi (14.6 bar)

Part No.	Length	Fittings
241908	50 ft (15.2 m)	1 in x 1 in (25.4 mm x 25.4 mm)
241907	30 ft (9.1 m)	1 in x 1 in (25.4 mm x 25.4 mm)

### Air / Water Hoses

General purpose hoses for air, water, anti-freeze and windshield washer fluid. All hoses are red with male fittings at both ends.

#### Coiled 1/4 in ID hose with maximum pressure rating of 180 psi (12 bar)

Part No.	Length	Fittings
205600	50 ft (15.3 m)	1/4 in x 50 ft (6.4 mm x 15.3 m)

#### Fabric-Reinforced 1/4 in ID hoses with maximum pressure rating of 180 psi (12 bar)

Part No.	Length	Fittings
109123	18 in (.05 m)	1/4 in x 1/4 in (6.4 mm x 6.4 mm)
109124	4 ft (1.2 m)	1/4 in x 1/4 in (6.4 mm x 6.4 mm)
109125	6 ft (1.8 m)	1/4 in x 1/4 in (6.4 mm x 6.4 mm)
109126	10 ft (3.1 m)	1/4 in x 1/4 in (6.4 mm x 6.4 mm)
109127	25 ft (7.6 m)	1/4 in x 1/2 in (6.4 mm x 12.7 mm)
109128	40 ft (12.2 m)	1/4 in x 1/2 in (6.4 mm x 12.7 mm)
218491	40 ft (12.2 m)	3/8 in x 1/4 in (9.5 mm x 6.4 mm)

#### 3/8 in ID hoses with maximum pressure rating of 180 psi (12 bar)

Part No.	Length	Fittings
109129	15 in (0.4 m)	3/8 in x 1/2 in (9.5 mm x 12.7 mm)
204560	18 in (0.5 m)	3/8 in x 3/8 in (9.5 mm x 9.5 mm)
109130	4 ft (1.2 m)	3/8 in x 3/8 in (9.5 mm x 9.5 mm)
203320	6 ft (1.8 m)	3/8 in x 3/8 in (9.5 mm x 9.5 mm)
109131	10 ft (3.1 m)	3/8 in x 3/8 in (9.5 mm x 9.5 mm)
110326	16 ft (4.9 m)	1/4 in x 3/8 in (6.4 mm x 9.5 mm)
109132	25 ft (7.6 m)	3/8 in x 1/2 in (9.5 mm x 12.7 mm)
109133	30 ft (9.2 m)	3/8 in x 1/2 in (9.5 mm x 12.7 mm)

#### 3/8 in ID hoses with maximum pressure rating of 180 psi (12 bar)

Part No.	Length	Fittings
249181	40 ft (12.2 m)	1/2 in x 3/8 in (12.7 mm x 9.5 mm)
109134	40 ft (12.2 m)	3/8 in x 1/2 in (9.5 mm x 12.7 mm)
109135	60 ft (18.3 m)	3/8 in x 1/2 in (9.5 mm x 12.7 mm)

#### 1/2 in ID hoses with maximum pressure rating of 180 psi (12 bar)

Part No.	Length	Fittings
218093	22 in (.56 m)	1/2 in x 1/2 in (12.7 mm x 12.7 mm)
110046	4 ft (1.2 m)	1/2 in x 1/2 in (12.7 mm x 12.7 mm)
205418	6 ft (1.8 m)	1/2 in x 1/2 in (12.7 mm x 12.7 mm)
214656	10 ft (3.1 m)	1/2 in x 1/2 in (12.7 mm x 12.7 mm)
248312	25 ft (7.6 m)	1/2 in x 1/2 in (12.7 mm x 12.7 mm)
248313	50 ft (15.3 m)	1/2 in x 1/2 in (12.7 mm x 12.7 mm)

#### 3/4 in ID hoses with maximum pressure rating of 180 psi (12 bar)

Part No.	Length	Fittings
110047	18 in (0.4 m)	3/4 in x 3/4 in (19.1 mm x 19.1 mm)
110048	4 ft (1.2 m)	3/4 in x 3/4 in (19.1 mm x 19.1 mm)
208610	6 ft (1.8 m)	3/4 in x 3/4 in (19.1 mm x 19.1 mm)
214955	10 ft (3.1 m)	3/4 in x 3/4 in (19.1 mm x 19.1 mm)
208611	25 ft (7.6 m)	3/4 in x 3/4 in (19.1 mm x 19.1 mm)

# Hoses and Fittings Accessories

## Pipe Fittings

### Bushing - Reducing, Standard and Expanding

Part No.	Thread Size (male x female)
100030	1/4 in x 1/8 in
159841	3/8 in x 1/4 in
100206	1/2 in x 1/4 in
100081	1/2 in x 3/8 in
100615	3/4 in x 1/4 in
100505	3/4 in x 3/8 in
100896	3/4 in x 1/2 in
100380	1 in x 1/2 in
158586	1 in x 3/4 in



### Pipe Adapters

Part No.	Thread Size (male x female)
150171	1/8 in x 1/8 in
159840	1/8 in x 1/4 in
156580	1/8 in x 3/8 in
150287	1/4 in x 3/8 in
159842	1/4 in x 1/2 in
150286	3/8 in x 3/8 in
156022	3/8 in x 1/2 in
168595	1/2 in x 3/4 in



### Street Elbows

Part No.	Thread Size (male x female)
100840	1/4 in x 1/4 in
155699	3/8 in x 3/8 in
158683	1/2 in x 1/2 in
176393	3/4 in x 3/4 in



### Coupling (standard)

Part No.	Thread Size
100451	1/8 in
113093	1/4 in
162024	3/8 in
158581	1/2 in
100385	3/4 in
100474	1 in



### Hex Nipple (standard and reducing)

Part No.	Thread Size
151519	1/4 in x 1/8 in
156971	1/4 in x 1/4 in
156296	3/8 in x 1/8 in
165198	3/8 in x 1/4 in
156849	3/8 in x 3/8 in
162449	1/2 in x 1/4 in
159239	1/2 in x 3/8 in
158491	1/2 in x 1/2 in
194048	3/4 in x 3/8 in
157191	3/4 in x 1/2 in
175013	3/4 in x 3/4 in
158555	1 in x 3/4 in



### Square-Head Plug

Part No.	Thread Size
111697	1/4 in
100040	3/8 in
100737	1/2 in
104663	3/4 in



## Pipe Swivels

### Straight Swivel Adapter

Part No.	Rigid thread (M) x Swivel thread (F)
208434*	1/8 in x 1/4 in
156823	1/4 in x 1/4 in
157705	1/4 in x 3/8 in
155665	3/8 in x 3/8 in
162505	3/8 in x 1/2 in
156684	1/2 in x 1/2 in
158256	1/2 in x 3/8 in
157785	3/4 in x 3/4 in
202965	1 in x 3/4 in
160022	1 in x 1 in

*\*Not a "live" swivel*



### 90° Swivel Adapter (both ends female)

Part No.	Rigid thread x Swivel thread
157676	1/4 in x 1/4 in
155677	3/8 in x 3/8 in
159801	3/8 in x 1/2 in
157416	1/2 in x 1/2 in
156589	3/4 in x 3/4 in



### Straight Swivel Adapter (both ends female)

Part No.	Rigid thread x Swivel thread
155570	1/4 in x 1/4 in
159153	3/8 in x 1/4 in
156173	3/8 in x 3/8 in
155653	1/2 in x 1/4 in
161077	1/2 in x 3/8 in
155865	1/2 in x 1/2 in
156172	3/4 in x 3/4 in
158383	1 in x 1 in



### 90° Swivel Adapter

Part No.	Rigid thread (M) x swivel thread (F)
155541	1/4 in x 1/4 in
155495	3/8 in x 1/4 in
155494	3/8 in x 3/8 in
217430	3/8 in x 1/2 in
161037	1/2 in x 3/8 in
155470	1/2 in x 1/2 in
160327	3/4 in x 3/4 in



### 45° Swivel Adapter

Part No.	Rigid thread (M) x swivel thread (F)
161889	3/8 in x 3/8 in
105281	3/4 in x 3/4 in



# Hoses and Fittings

## Accessories

### Tube Fittings

Maximum fluid pressure rating of 3000 psi (207 bar) when coupled with appropriate tubing wall thickness. Reference Steel Tubing and Iron Pipe Information on page 157.

#### Male Connector

Part No.	Tube O.D.	Thread
101339	7/8 in	3/4 npt



#### Female Connector - Straight

Part No.	Tube O.D.	Thread
101008	5/8 in	1/2 npt
101520	7/8 in	3/4 npt



#### Tube Union Flow 90° Elbow

Part No.	Tube O.D.	Thread
101012	5/8 in	
101376	7/8 in	



#### Tube Tee with Female Branch

Part No.	Tube O.D.	Thread
101013	5/8 in	5/8 npt
101378	7/8 in	3/4 npt



#### Tube Union - Straight

Part No.	Tube O.D.	Thread
101009	5/8 in	
101340	7/8 in	



Consult your local distributor of the following product lines for additional tube-fitting requirements (i.e.: high-pressure, low-pressure, etc.) and fitting recommendations: Parker; AeroQuip; Weatherhead; Lenz; Crawford; or Imperial Eastman.





---

# Table of Contents Packages

---

Fire-Ball 300, 15:1 Packages .....	146-148
Windshield Wash Packages .....	149
Tank Packages .....	150-151
Air-Powered Pump Packages for Oil .....	152-153
Air-Powered Pump Packages for Grease .....	154-155
Air-Powered Pumps .....	156-157
Bulk Transfer Packages .....	158-159
Lube Truck Packages .....	160-161
Notes .....	162

# Fire-Ball 300, 15:1 Packages

## Undercoating/Rust-Proofing Packages

### Features and Benefits

- Available in carbon steel for petroleum-based undercoatings or SST for water-based materials
- Durable air motor provides trouble-free operation

### Typical Application

- Application of undercoating, rust-proofing and sound-deadening materials
- Automotive dealerships
- Heavy-duty dealerships
- Fast lube centers
- Fleet service facilities
- Service shops

### Typical Fluids Handled

- Undercoating\*
- Rust-proofing\*
- Sound deadening material

\*Verify chemical compatibility for pump's wetted components with undercoating material supplier or contact Graco directly at 1-800-533-9655.

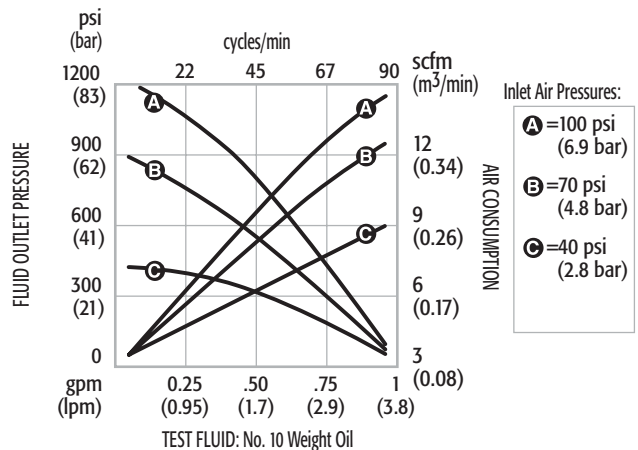


222077

### Technical Specifications

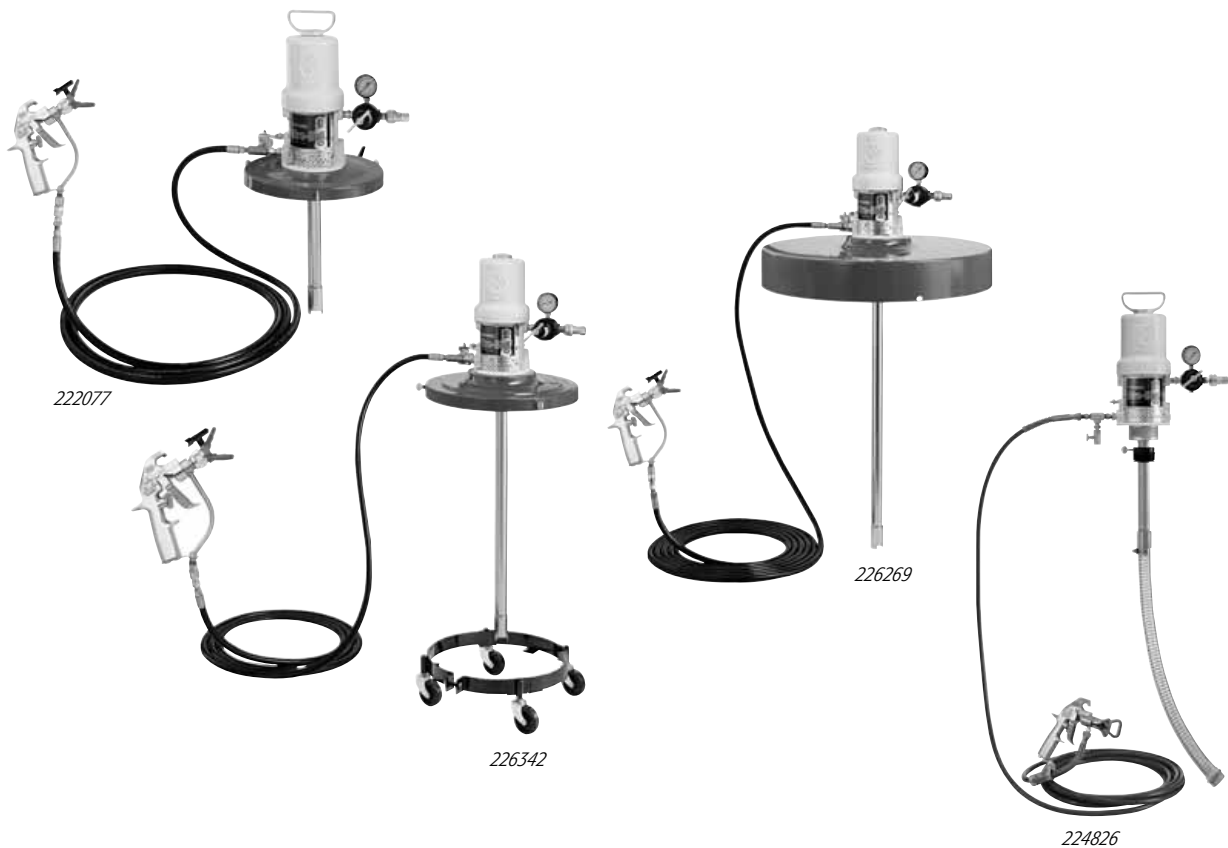
Maximum Fluid Pressure	2700 psi (186 bar, 18.6 MPa)
Effective Air Motor Diameter	3 in (76.2 mm)
Operating Range	40 to 180 psi (2.8 to 12.5 bar)
Continuous-Duty Flow Rate	0.7 gpm (2.7 lpm)
Approx. Air Consumption @ 100 psi (7 bar)	17 cfm
Air Inlet	3/8 npt(f)
Material Outlet	1/4 npt(f)
Material Inlet for Non-SST Pump	1 npt (straight inlet)
Material Inlet for 224825 (SST Pump)	1 npt (barbed inlet)
Wetted Parts for Non-SST Pump	CS, Aluminum, PTFE, Rubber
Wetted Parts for SST pump	SST, Aluminum, Leather, PTFE, Rubber
Instruction Manual for non-SST Pump	306531
Instruction Manual for SST Pump	308069

### Pump Performance



# Fire-Ball 300, 15:1 Packages Selection Chart

	Undercoating			Spray Masking
	Portable Package	Portable Dolly-Mounted Package	Stationary Package	Bung-Mounted Stationary Package
Container Size	35 lb (16 kg)	120 lb (54 kg)	400 lb (180 kg)	400 lb (180 kg)
Packages	<b>222077</b>	<b>226342</b>	<b>226269</b>	<b>224826*</b>
Pump	206405	206699	206700	224825 (SST pump)
Dispense Kit	222079	222079	222082	224023
Tip	286517	286517	286517	286211/286621
Hose Length	15 ft (4.6 m)	15 ft (4.6 m)	25 ft (7.6 m)	25 ft (7.6 m)
Cover	222058	204574	200326	-
Caster Base	-	204144	-	-
Instruction Manual	307879/306531	307879/306531	307879/306531	308069



\* Package #224826 includes flexible short tube #224022 long enough for 400 lb (180 kg) container, but can be trimmed to accommodate smaller containers.

# Fire-Ball 300, 15:1 Packages

## Accessories

**214570** Screen filter (aluminum)  
Comes with 60-mesh filter. Optional items available below.  
(3/8 npt(f) inlet; 1/4 npt(f) outlet) Maximum working pressure: 3000 psi (210 bar)



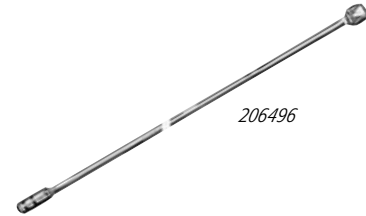
### Replacement Screen Elements (SST)

3-pack/25-pack	Mesh
<b>238435/238436</b>	30-mesh
<b>238437/238438</b>	60-mesh
<b>238439/238440</b>	100-mesh

**202577** Z-Swivel  
Allows non-binding movement of hose for difficult-to-reach spots.  
Must order 155570 adapter separately to accommodate 234237 gun.



**206496** Nozzle Extension  
Length 30-3/4 in (99 cm) with 7/8-14(f) end. Steel-tube conical tip delivers 360° coating fan into blind areas. Use for unfilled wax and graphite products.  
Tip #206502, orifice size .043.



**234237** 4 Finger Silver Gun with RAC 5 Tip  
Standard gun for undercoating packages. Comes with tip guard 243161 and tip 286517. 4500 psi (310 bar) with a 3/8 npt(f) inlet. Must order 155570 adapter and 239663 straight swivel to accommodate gun to 1/4" (mbe) hose.



### Rac 5 Tip Selection Chart

*Tips must be ordered separately.*

Fan Width	Orifice Size in inches (mm)						
	.015(.38)	.017(.43)	.019(.48)	.021(.53)	.023(.58)	.025(.63)	.027(.69)
6 in (15.24 cm)	286315	286317	286319	286321	286323	286325	286327
8 in (20.32 cm)	286415	286417	286419	286421	286423	286425	286427
10 in (25.4 cm)	286515	286517	286519	286521	286523	286525	286527
12 in (30.48 cm)	286615	286617	286619	286621	286623	286625	286627

*Note: Fan width is spray pattern width as measured 12 in (30.48 cm) from spray tip orifice.  
Rac 5 is not interchangeable with older style GHD tips.*

# Windshield Wash Packages

## Packages for Pre-Mixed Windshield Wash Solvent

Powered by the 307 air-operated double-diaphragm pump, this package is designed for transferring and dispensing pre-mixed windshield wash.

### 237161 Package number\*

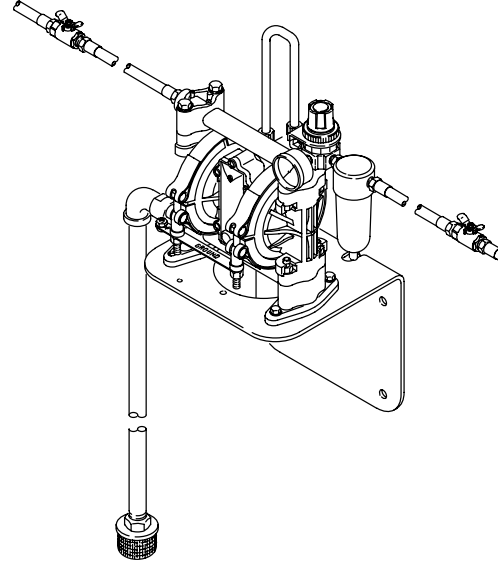
Includes items below:

- 109125 6 ft (1.8 m) air hose
- 220596 4 ft (1.2 m) coupled nitrile fluid hose
- 110146 3/8-18 npt x 1/2-14 npt(mbe) air filter
- 108190 Air gauge
- 111511 Air line fitting
- 110318 1/4 npt air regulator
- 100611 Elbow
- 187479 15 in (381 mm) 3/8 in ID tube
- 190125 Mounting bracket
- 156022 Adapter
- 156971 1/4-18 npt nipple
- 223888 Suction hose kit  
6 ft (1.8 m) coupled PVC hose and 304 SST 16 mesh strainer.
- 224835 Wall bracket
- D31255 307 Diaphragm Pump

*\*Can be ordered separately without pump.*

### 237160 Package number

Includes all items listed above except D31255 Diaphragm Pump and 223845 wall bracket.



# Tank Packages

## Package Solutions (Tanks not included)

---

### Mini Fire-Ball 225, 3:1 Bulk-Oil Dispensing Packages (tanks not included)

#### 248623\* Mini Fire-Ball 225, 3:1 Pump Package

Includes:

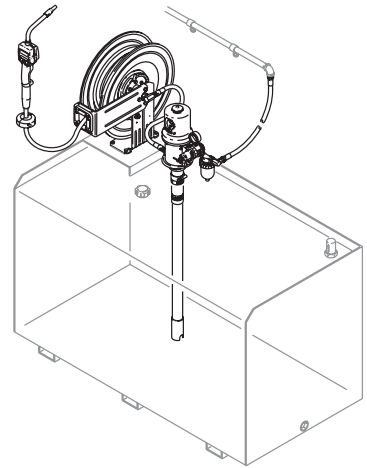
- 248097 Mini Fire-Ball 225 Universal pump with bung adapter and down tube
- 237022 350 Series reel with 50 ft (15.2 m) x 1/2 in (12.7 mm) fluid hose
- 238461 EM5 meter

#### 248622\* Mini Fire-Ball 225, 3:1 Pump Package

Includes:

- 248907 Mini Fire-Ball 225, 3:1 Universal pump with bung adapter and down tube
- 240963 250 Series reel with 25 ft (7.6m) x 1/2 in (12.7 mm) fluid hose
- 238461 EM5 meter

*\*Tanks not included*



*Package  
244091 shown  
(tank not included)*

# Tank Packages

## Package Solutions (Tanks not included)

### Fire-Ball 300, 5:1 Deluxe Bulk-Oil Dispensing Packages (tanks not included)

#### 241633\* Fire-Ball 300, 5:1 Package

Includes:

- 203876 Fire-Ball 300, 5:1 pump universal
- 109075 3/8 in (9.5 mm) regulator/gauge
- 156849 3/8 in (9.5 mm) x 3/8 in (9.5 mm) nipple
- 222308 2 in (50.8 mm) bung adapter
- 240963 250 Series reel with 25 ft (7.6m) x 1/2 in (12.7 mm) hose
- 238461 EM5 meter

#### 224541\* Fire-Ball 300, 5:1 Package

Includes:

- 203876 Fire-Ball 300, 5:1 pump universal
- 109075 3/8 in (9.5 mm) regulator/gauge
- 156849 3/8 in (9.5 mm) x 3/8 in (9.5 mm) nipple
- 222308 2 in (50.8 mm) bung adapter
- 237022 350 Series reel with 50 ft (15.3m) x 1/2 in (12.7 mm) hose
- 220598 18 in (45.7 cm) hose
- 157416 90° swivel (inlet on hose reel)
- 238461 EM5 meter

#### 244038\* Fire-Ball 300, 5:1 Package

Includes:

- 203876 Fire-Ball 300, 5:1 pump universal
- 109075 3/8 in (9.5 mm) regulator/gauge
- 156849 3/8 in (9.5 mm) x 3/8 in (9.5 mm) nipple
- 222308 2 in (50.8 mm) bung adapter
- 237022 350 Series reel with 50 ft (15.3m) x 1/2 in (12.7 mm) hose
- 220598 18 in (45.7 cm) hose
- 157416 90° swivel
- 238511 PM5 meter

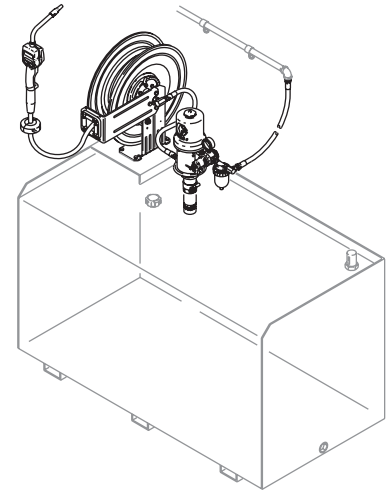
### Fire-Ball 300, 5:1 Deluxe Bulk-Oil Dispensing Packages (tank not included)

#### 224534\* Dispensing from Bench-Top Tanks with Fire-Ball 300, 5:1 Pump Package

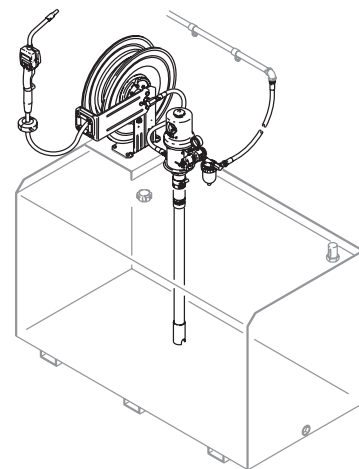
Includes:

- 203876 Fire-Ball 300, 5:1 pump, Universal
- 109075 3/8 in (9.5 mm) regulator/gauge
- 106148 Air filter
- 156849 3/8 in (9.5 mm) x 3/8 in (9.5 mm) nipple
- 237022 350 Series reel with 50 ft (15.3m) x 1/2 in (12.7 mm) hose
- 106151 Drain valve
- 222063 72 in (182.9 cm) hose kit
- 237893 Thermal relief valve
- 238461 EM5 meter
- 157416 90° swivel

\*Tanks and down tube not included



Package  
224541 shown  
(tank not included)



Package  
224534 shown  
(tank not included)



# Bulk Package Specifications for Oil Package Solutions

---

## 1. Select the pump for your application based on:

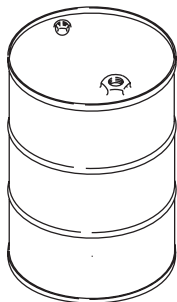
- Oil weight-viscosity
- Environment temperature
- Application flow rate required
- Distance oil is pumped
- Supply line size
- Number of dispense locations
- Additional flow restrictions – reels, valves and meters
- Available air volume and pressure

## 2. Establish type of container being used

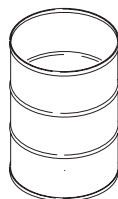
### A. Bulk Containers – Type

- Bottom outlet
- Top outlet
- Stationary
- Portable

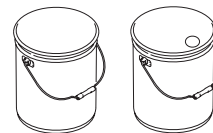
### B. Drum/Containers – Sizes



*Closed Head Drum*  
55 gal (205 l)



*Open Head Drum*  
16 gal (60 l)



*Pail*  
5 gal (20 l)

# Bulk Package Specifications for Oil Package Solutions

## 3. Choose the package solution to fit your needs

### Typical Installations for Bulk Oil tanks

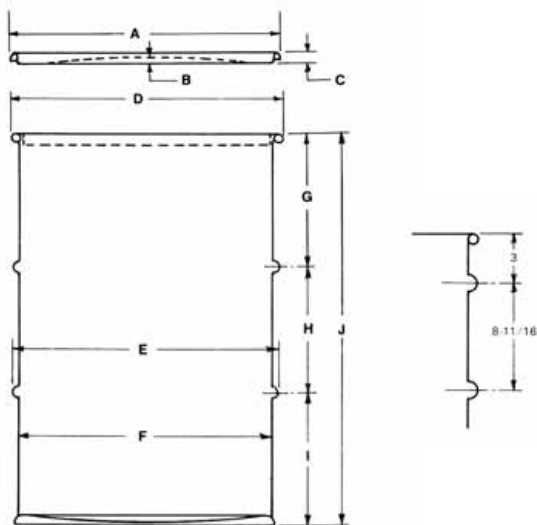
- A. Floorstand Mount with King or Bulldog Pumps.**  
For stationary large tank installations with stand alone pump.
- B. Wall Mount with King or Bulldog Pumps.**  
For stationary large tank installations with wall or vertical support
- C. Wall Mount bracket with Fire-Ball Pumps.**  
For portable tank/tote installations.
- D. Air Motor Flange Mount.**  
For transportation tanks as commonly found on lube trucks.
- E. Bung Mount.**  
For installations with 2 npt bung hole.

### Drum Specifications

Size	Imperial Size	Volume (gal)	Body Material	Dimensions (in inches)									
				A	B	C	D	E	F	G	H	I	J
55 gal	45 gal	57.2 - 57.75	Steel, 18 gage	23-11/16	-	7/8	23-1/2	23-17/32	22-1/2	11-7/8	11	11-7/8	34-3/4
55 gal*	45 gal	59.28 - 59.85	Steel, 18 gage	23-11/16	-	7/8	23-1/2	23-17/32	22-1/2	12-1/2	11	12-1/2	36
55 gal	45 gal	57.2 - 57.75	Steel, 18 gage	23-11/16	3/8	7/8	23-1/2	23-27/32	22-1/2	-	11	11-11/16	34-3/8
30 gal	25 gal	31.2 - 31.45	Steel, 18 gage	19-7/16	3/8	7/8	19-1/4	19-19/32	18-1/4	8-7/8	11	8-7/8	28-3/4
30 gal	25 gal	31.2 - 31.45	Steel, 19 gage	19-7/16	-	7/8	19-1/4	19-19/32	18-1/4	8-7/8	11	8-7/8	28-3/4
16 gal	-	16	Steel, 20 gage	14-3/4	-	5/8	14-9/16	14-7/8	13-15/16	7-5/8	11	8	26-5/8
16 gal**	-	16.64 - 16.89	Steel, 20 gage	14-3/4	-	lug cover	14-9/16	14-7/8	13-15/16	7-5/8	11	8	26-5/8

\* Also 400 lb edible fats drum

\*\* Also 120 lb grease drum



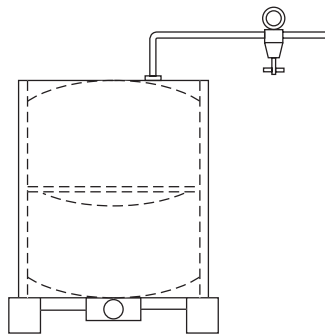
# Bulk Package Specifications for Grease Package Solutions

## 1. Select the pump for your application based on:

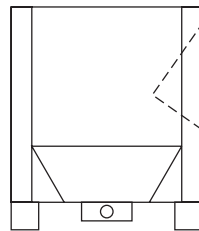
- NLGI number – viscosity
- Temperature environment
- Application flow rate required
- Distance being pumped
- Supply line size
- Additional flow restrictions – reels, valves and meters
- Number of dispense locations
- Available air volume and pressure

## 2. Establish type of container being used

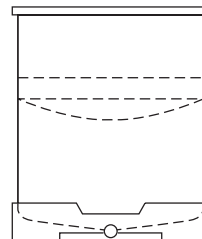
### A. Bulk Containers – Type



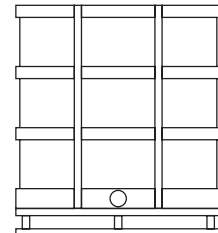
*Pressurized with Follower*



*Sloped Bottom*

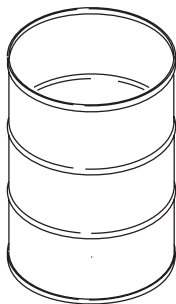


*Non-Pressurized with Follower*

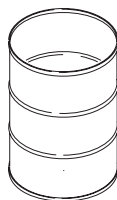


*Bag in a Box*

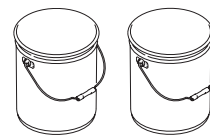
### B. Drum/Containers – Sizes



*Open Head Drum  
400 lb (180 kg)*



*Open Head Drum  
120 lb (55 kg)*



*Pail  
35 to 50 lb  
(16 to 23 kg)*

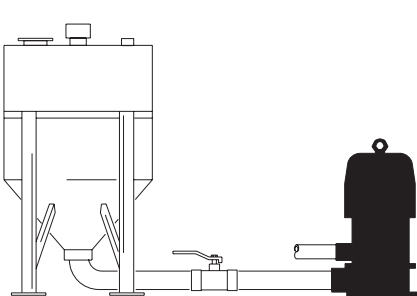
# Bulk Package Specifications for Grease Package Solutions

## 3. Choose the package solution to fit your needs

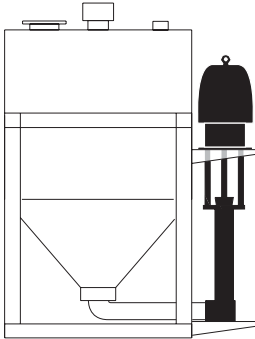
### Bulk Containers

#### Floorstand-Mounted Systems for use with large King and Bulldog Pumps

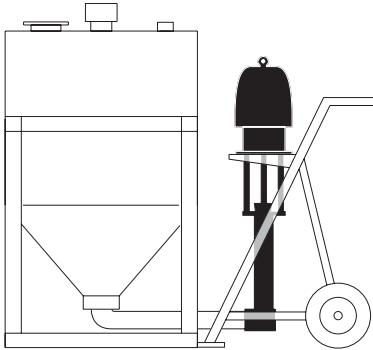
If you use a King or Bulldog pump, select one of the following mountings below.



**Floorstand Mount**  
*For stationary locations*



**Shelf Mount**  
*For rigidity and stability.  
Can be used on trucks*

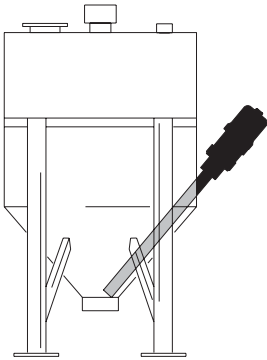


**Cart Mount**  
*For mobility.*

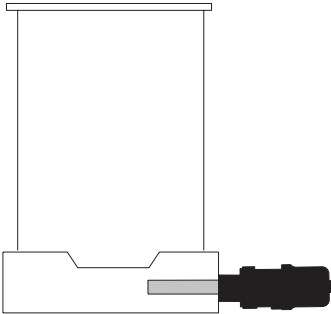
#### Flange-Mounted Systems for use with Fire-Ball Pumps

If you use a Fire-Ball pump, select one of the following mountings below.

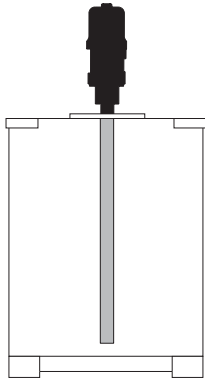
*see page 45 for flange-mounting accessories*



**Side Pocket Mount**



**Horizontal Mount**



**Top Mount**

# High Volume Pumps

## King and Bulldog Air Motor 7 in and 10 in Diameter

- Corrosion resistant – lightweight aluminum construction
- Reliable – tested to 10 million cycles without failure
- Added safety – grounding lug prevents static build-up
- Reduced pulsation – in-line air valve assembly allows rapid changeover
- Quiet – large shroud diffuses exhaust downward

## Oil Pumps

Bare Pump Part Number	Ratio	Container Size	Max Air Pressure	Max Oil Pressure	Recommended Max Flow Rate	Max Free Flow Capacity
<b>King – 10 in (254 mm) Diameter Air Motor</b>						
222837	28:1	Bulk Tank	90 psi (6.1 psi)	2520 psi (171.5 bar)	5.8 gpm (21.8 lpm)	N/A
222832	20:1	Bulk Tank	90 psi (6.1 psi)	1800 psi (122.5 bar)	7.7 gpm (29.1 lpm)	N/A
<b>Bulldog – 7 in (178 mm) Diameter Air Motor</b>						
222831	14:1	Bulk Tank	100 psi (6.8 bar)	1400 psi (95.3 bar)	6.9 gpm (26.1 lpm)	N/A
222826	10:1	Bulk Tank	100 psi (6.8 bar)	1000 psi (69 bar)	9.2 gpm (34.9 lpm)	N/A
221104	5:1	Bulk Tank	100 psi (6.8 bar)	500 psi (34 bar)	15 gpm (57 lpm)	N/A
220577	4:1	Bulk Tank	100 psi (6.8 bar)	400 psi (27.2 bar)	24 gpm (90.8 lpm)	N/A

## Grease Pumps

Bare Pump Part Number	Ratio	Container Size	Max Air Pressure	Max Grease Pressure	Recommended Max Flow Rate	Max Free Flow Capacity
<b>King – 10 in (254 mm) Diameter Air Motor</b>						
236471	65:1	Bulk or Drum/Ram	90 psi (6.1 bar)	5850 psi (398 bar)	2.8 gpm (10.6 lpm)	N/A
222545	55:1	Bulk or Drum/Ram	90 psi (6.1 bar)	5000 psi (340 bar)	3 gpm (11.4 lpm)	N/A
222835	24:1	Bulk or Drum/Ram	90 psi (6.1 bar)	2160 psi (146.9 bar)	7.3 gpm (27.7 lpm)	N/A
<b>Bulldog – 7 in (178 mm) Diameter Air Motor</b>						
222778	55:1	Bulk, Drum/Ram or Drum/Inductor	90 psi (6.1 bar)	4950 psi (336.7 bar)	1.7 gpm (6.5 lpm)	N/A
237261	31:1	Bulk, Drum/Ram or Drum/Inductor	100 psi (6.8 bar)	3100 psi (210.9 bar)	2.8 gpm (10.6 lpm)	N/A
222828	12:1	Bulk, Drum/Ram or Drum/Inductor	100 psi (6.8 bar)	1200 psi (81.6 bar)	7.3 gpm (27.7 lpm)	N/A
205148	3:1	Bulk, Drum/Ram or Drum/Inductor	120 psi (8.2 bar)	360 psi (24.4 bar)	15 gpm (57 lpm)	25 gpm (95 lpm)

<b>Air Inlet</b>	<b>Oil Inlet</b>	<b>Oil Outlet</b>	<b>Instruction Manual</b>
3/4 npsm(f)	2 npt(f)	1-1/2 npt(m)	308147
3/4 npsm(f)	2 npt(f)	1-1/2 npt(m)	308151
3/4 npsm(f)	2 npt(f)	1-1/2 npt(m)	308147
3/4 npsm(f)	2 npt(f)	1-1/2 npt(m)	308151
3/4 npsm(f)	2 npt(f)	1-1/2 npt(f)	308871
3/4 npsm(f)	1-1/2 npt(f)	1 npt(f)	307809

<b>Air Inlet</b>	<b>Grease Outlet</b>	<b>Instruction Manual</b>
3/4 npsm(f)	1 npt(f)	308351
3/4 npsm(f)	1 npt(f)	307982
3/4 npsm(f)	1-1/2 npt(m)	308149 (Fluid Pump) 306968 (Air Motor)
3/4 npsm(f)	3/4 npt(m)	308017
3/4 npsm(f)	3/4 npt(m)	308351
3/4 npsm(f)	1-1/2 npt(m)	308149
3/4 npsm(f)	2 npt(m)	306642



# Bulk Transfer Package Solutions

## Air Operated Transfer Packages for Bulk Grease Totes

Description	12:1 Bulldog Stand Mount	31:1 Bulldog Stand Mount	3:1 Bulldog Stand Mount	55:1 Bulldog Stand Mount	24:1 King Stand Mount	55:1 King Stand Mount	65:1 King Stand Mount	Viscount II Stand Mount
Package No.	<b>244649</b>	<b>244650</b>	<b>244651</b>	<b>244652</b>	<b>244653</b>	<b>244654</b>	<b>244655</b>	<b>244656</b>
Pump	222828	237261	205148	222778	222835	222545	236471	222902
Air Connect Hose	208610	208610	208610	208610	208610	208610	208610	-
Fluid Connect Hose	115042	244657	244658	244657	115042	244657	244657	115042
Air Shut-off Valve	110226	110226	110226	110226	110226	110226	110226	-
Air Regulator Kit	244845	244845	244845	244845	244845	244845	244845	-
Mounting/Connection Kit	222776	222776	224148	222776	222776	223090	222776	222776
Floor Stand	223952	223952	223952	223952	223952	223952	223952	223952
Instruction Manual	309344	309344	309344	309344	309344	309344	309344	309344

## Air Operated Transfer Packages for Bulk Grease Totes

Description	50:1 Fire-Ball 300 Side Pocket Mount	50:1 Fire-Ball 300 Horizontal Mount	50:1 Fire-Ball 425 Side Pocket Mount	75:1 Fire-Ball 425 Side Pocket Mount	75:1 Fire-Ball 425 Horizontal Mount
Package No.	<b>244644</b>	<b>244645</b>	<b>244646</b>	<b>244647</b>	<b>244648</b>
Pump	239888	239877	205395	239730	239731
Air Shut-off Valve	110224	110224	110225	110225	110255
Fluid Shut-off Valve	202869	202869	202869	202869	202869
Hose & Fitting Kit	222072	222072	222076	222076	222076
Air Regulator Kit	109075	109075	244844	244844	244844
Flange Adapter	948393	948393	948392	948392	948392
Flange Coupler	512874	512874	512874	512874	512874
Instruction Manual	309350	309350	309350	309350	309350

## Air Operated Transfer Packages for Bulk Grease Drums

Description	65:1 King Ram 400 lb (181 kg) drum	55:1 Bulldog Ram 400 lb (181 kg) drum	12:1 Bulldog Ram 400 lb (181 kg) drum	3:1 Bulldog Ram 400 lb (181 kg) drum	3:1 Bulldog* Sinker 400 lb (181 kg) drum	5:1 Dyna-Star 120 lb (55 kg) drum	5:1 Dyna-Star 400 lb (181 kg) drum
Package No.	<b>244638</b>	<b>244639</b>	<b>244640</b>	<b>244641</b>	<b>244848</b>	<b>244642</b>	<b>244643</b>
Pump	236471	222778	222828	205148	205148	224751	224752
Air Connect Hose	208610	208610	208610	208610	208610	-	-
Fluid Connect Hose	244657	244657	115042	244658	244658	109163	109163
Hydraulic Fluid Controls	-	-	-	-	-	236864	236864
Drum Cover	-	-	-	-	-	204574	200326
Follower Plate/Inductor	-	-	-	-	222404	223700	223701
Ram	207279	207279	207279	207279	-	-	-
Air Regulator Kit	207651	207651	207651	207651	207651	-	-
Drum Clamp	206537	206537	206537	206537	-	-	-
Instruction Manual	309345	309345	309345	309345	309345	309345	309345

\*205028 Sinker pump with 205148 bare pump can be ordered separately, see instruction manual 306642.

# Bulk Transfer Package Solutions

## Air Operated Bulk Oil Transfer Packages

Description	4:1 Bulldog Floor Stand	5:1 Bulldog Wall Mount	10:1 Bulldog Floor Stand	10:1 Bulldog Wall Mount	20:1 King Wall Mount
Package No.	<b>241360</b>	<b>244629</b>	<b>241361</b>	<b>244630</b>	<b>244631</b>
Pump	220577	221104	222826	222827	222832
Filter, Regulator,					
Lubricator	217073	217073	217073	217073	217073
Air Connect Hose	208610	110047	208610	110047	110047
Fluid Connect Hose	115042	115042	115042	115042	115042
Air Shut-off Valve	113332	110226	113332	110226	110226
Fluid Shut-off	–	512152	–	512152	512152
Wall Mount Bracket	–	206221	–	206221	206221
Floor Stand	220581	–	220581	–	–
Instruction manual	308949	309351	308949	309351	309351

## Hydraulic Operated Bulk Oil Transfer Packages

Description	1:1 Dyna-Star Wall Mount	1/4:1 Dyna-Star Wall Mount	1:1 Power-Star Wall Mount	1:1 Dyna-Star 55 Gal. (200 l) Bung Mount
Package No.	<b>244632</b>	<b>244633</b>	<b>244634</b>	<b>244678</b>
Pump	224741	236753	236754	224742
Fluid Connect Hose	220598	220598	220598	220591
Fluid Shut-off	108458	108458	108458	108458
Hydraulic Fluid Controls	236864	236864	236865	236864
Wall Mount Bracket	203987	236778	236778	–
Bung Adapter	–	–	–	222308
Instruction Manual	309352	309352	309352	309352

## Air Operated Bulk Anti-Freeze and Windshield Solvent Transfer Packages

Description	1040 AODD Dual Inlet	1040 AODD Single Inlet	716 AODD Dual Inlet	716 AODD Single Inlet
Package No.	<b>244679</b>	<b>244680</b>	<b>244681</b>	<b>244682</b>
Pump	236265	236265	243669	241906
Air Regulator	109075	109075	110147	110147
Fluid Connect Hose	115042	115042	109105	109105
Air Connect Hose	205418	205418	109125	109125
Air Shut-off Valve	110224	110224	110223	110223
Wall Mount Bracket	189233	189233	224835	224835
Dual Inlet Manifold	685984	–	–	–
Suction Kit	2-236054	236054	2-236054	236054
Thermal Relief Kit	238428	238428	113497	113497
Instruction Manual	309353	309353	309353	309353

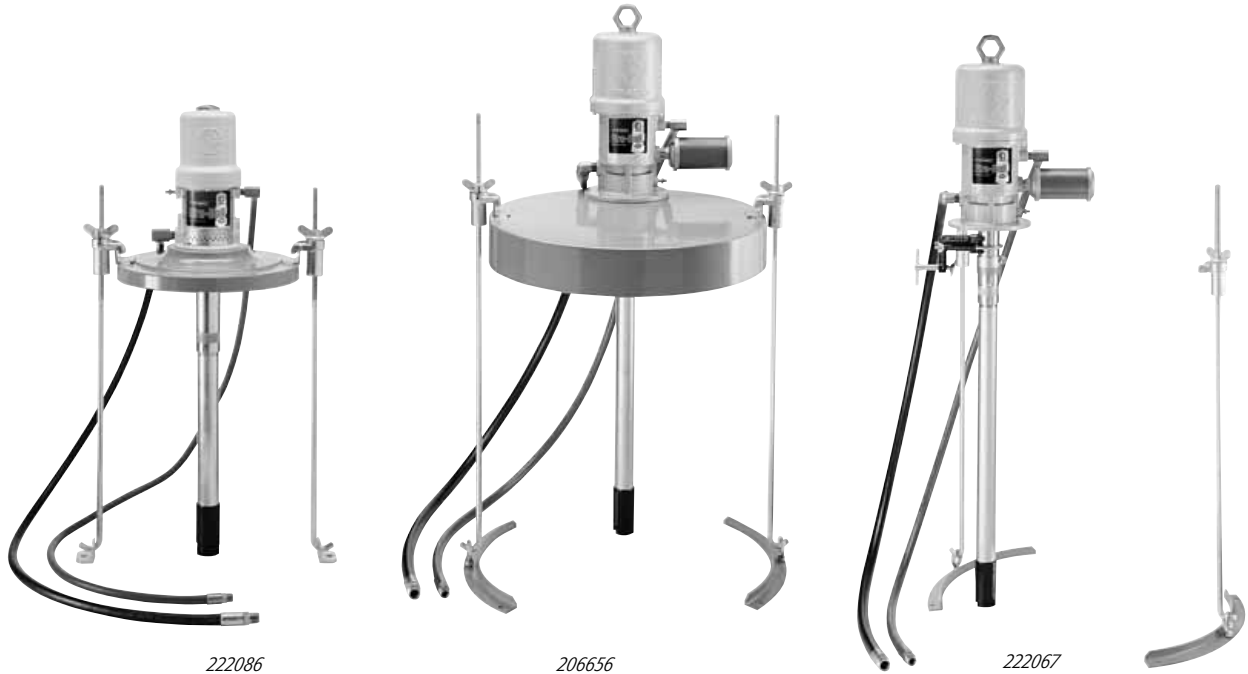


# Lube Truck Packages

## Package Solutions

### Lube Truck Packages for Oil

	<b>Fire-Ball 300 Cover-Mounted Package</b>	<b>Fire-Ball 300 Cover-Mounted Package</b>	<b>Fire-Ball 300 Bung-Mounted Package</b>	<b>Fire-Ball 425 Cover-Mounted Package</b>	<b>Fire-Ball 425 Bung-Mounted Package</b>
Ratio	5:1	5:1	5:1	10:1	10:1
Container Size	16 gal (60 l)	55 gal (200 l)	55 gal (200 l)	55 gal (200 l)	55 gal (200 l)
	Open-head	Open-head	Closed-head†	Open-head	Closed-head†
Package No.	<b>222086</b>	<b>206655</b>	<b>204264</b>	<b>206656</b>	<b>222067</b>
Bare Pump No.	203872	203857	204254	222065	222095
Hose/Fitting Kit	222063	222063	222063	222066	222066
Hose Length	6 ft (1.8 m)	6 ft (1.8 m)	6 ft (1.8 m)	6 ft (1.8 m)	6 ft (1.8 m)
Air Regulator	*	*	*	**	**
Hold-Down Kit	222061	207361	207361	207361	207361
Drum Cover	222060	207367	-	207367	-
Bung Adapter	-	-	204076	-	224579
Pump Clamp	-	-	204095	-	204095
Instruction Manual	307883	307883	307883	307883	307883



222086

206656

222067

† For closed-head drums, pump mounts off-center on drum cover. Pump draws through standard 2 npt bung opening and is equipped with grommet for rain-tight seal to the drum cover.

\* Order 3/8 in (9.5 mm) air regulator and gauge separately, #109075.

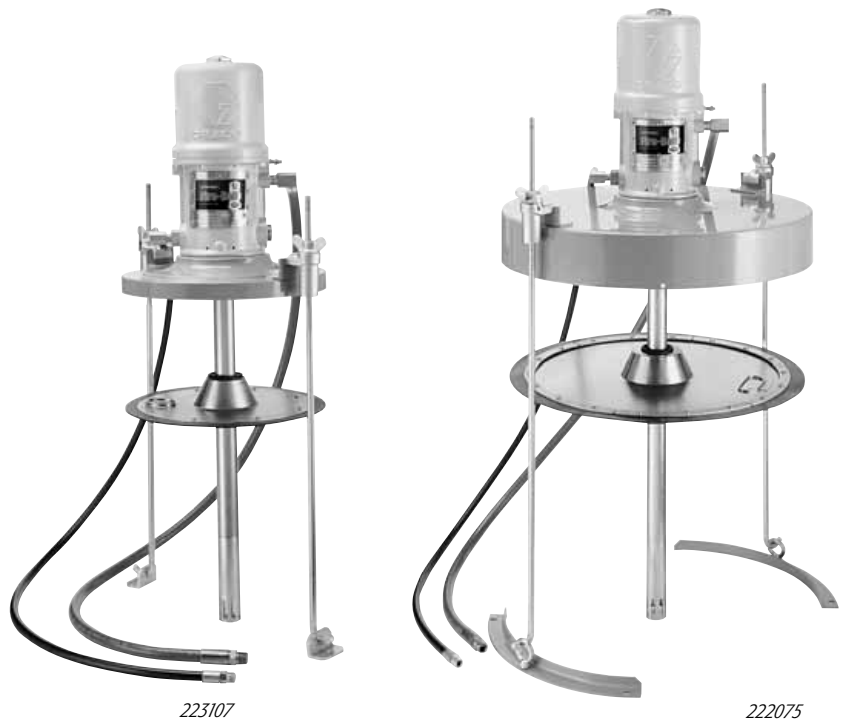
\*\* Order 1/2 in (12.7 mm) air regulator #104266 and gauge #100960 separately.

# Lube Truck Packages

## Package Solutions

### Lube Truck Packages for Grease

	Fire-Ball 300 Cover-Mounted Package	Fire-Ball 300 Cover-Mounted Package	Fire-Ball 425 Cover-Mounted Package	Fire-Ball 425 Cover-Mounted Package	Fire-Ball 425 Cover-Mounted Package	Fire-Ball 425 Cover-Mounted Package
Ratio	50:1	50:1	50:1	50:1	75:1	75:1
Container Size	120 lb (55 kg)	400 lb (180kg)	120 lb (55 kg)	400 lb (180 kg)	120 lb (55 kg)	400 lb (180 kg)
	Open-head	Open-head	Open-head	Open-head	Open-head	Open-head
Package No.	<b>222085</b>	<b>222071</b>	<b>223107</b>	<b>222075</b>	<b>243817</b>	<b>243818</b>
Bare Pump No.	239887	239888	205394	205395	239729	239730
Hose/Fitting Kit	222072	222072	222076	222076	222076	222076
Hose Length	6 ft (1.8 m)	6 ft (1.8 m)	6 ft (1.8 m)	6 ft (1.8 m)	6 ft (1.8 m)	6 ft (1.8 m)
Air Regulator	*	*	**	**	**	*
Hold-Down Kit	222061	207361	222061	207361	222061	207361
Drum Cover	222060	207366	222060	207366	222060	207366
Follower Plate	220654	223845	223344	223846	223344	223846
Instruction Manual	307880	307880	307880	307880	307880	307880



\* Order 3/8 in (9.5 mm) air regulator and gauge separately, #109075.

\*\* Order 1/2 in (12.7 mm) air regulator #104266 and gauge #100960.



---

# Table of Contents

## Automatic Lubrication

---

Automatic Lubrication .....	164-165
Notes .....	166

# Automatic Lubrication

## For Sale to Authorized Distribution Only

---

### Fire-Ball

- 241573** Fire-Ball 300, 50:1 Pump Module  
Includes Fire-Ball 300, 50:1 pump #239887, 90 lb (41 kg) reservoir assembly #241486 and vent valve assembly #241572
- 241486** Reservoir Assembly  
Includes 90 lb (41 kg) reservoir, gasket and cover.
- 241572** Vent Valve Assembly  
Includes vent valve #115121, air pressure relief valve #115122, vent valve mounting bracket with vent valve air and fluid hose. Instruction manual 308955.

### Dyna-Star

- 243159** Dyna-Star 5:1 Pump Module  
Includes Dyna-Star pump #224751, 90 lb (41 kg) reservoir assembly #241486, hydraulic control assembly #243501 and vent valve assembly #243170 fully assembled.
- 241486** Reservoir Assembly  
Includes 90 lb (41 kg) reservoir, gasket and cover.
- 243501** Hydraulic Control Assembly  
Includes hydraulic manifold with pressure gauge #802072, pressure reducing valve #115774, flow control valve #115773, 24 volt solenoid #115775 and necessary hose, fitting and connectors.
- 243170** Hydraulic Vent Valve Assembly  
Includes vent valve #242063, pressure relief valve #115122 and necessary hose, fittings and connectors. Instruction manual 309098.

### Accessories

- 241485** Follower Plate  
Includes a flexible rubber wiper ring.
- 115123** Lubrication Controller, 24 volt  
For controlling and monitoring automatic lubrication systems.
- 114488** Air Solenoid, 24 volt  
3-way solenoid 3/8 npt (fbe).
- 115124** Pressure Switch  
Used with lubrication controller #115123 to control and monitor system operation.

### Filter/Regulator/Lubricator for filtering, regulating and lubricating incoming air pressure

- 110149** 1/4 npt(fbe)  
**110150** 3/8 npt(fbe)

### Air Regulator with Gauge for regulating incoming air pressure

- 110147** 1/4 npt(fbe)  
**109075** 3/8 npt(fbe)

### Bleed-Type Air Valve for shutting off air and relieving downstream air pressure

- 110223** 1/4 npt(fbe)  
**110224** 3/8 npt(fbe)



# Automatic Lubrication

## Specialized Distribution –

### Call Graco Customer Service for Locations at 1.800.533.9655

#### GL-1 Injector

Graco Part No.	GL-1 Injector Description	Mounting Hole Spacing: in (mm)	Manifold Length in (mm)
114901	One Point	NA (one hole)	2.48 (63.0)
114902	Two Point	NA (one hole)	3.00 (76.0)
114903	Three Point	1.25 (31.7)	4.23 (107.5)
114904	Four Point	2.50 (63.4)	5.47 (139.0)
114905	Five Point	3.75 (95.1)	6.71 (170.5)
114909	Replacement	NA	NA
114910	npt Single - 3/8 npt(m)	NA	NA

*Injector Repair Kit (241234) includes wear items.*



#### Lubrication Controller

**115123** Lubrication Controller, 24 volt  
Instruction manual 308950.

#### Accessories

**241574** Connector Replacement Kit  
Includes two junction box connectors and six rubber grommets.

**114488** Air Solenoid Valve  
3/8 npt (f) three-way, 24 volt has manual activation button.

**115124** Pressure Switch  
Lubricant inlet 1/4 npt(f).

#### Level Indicator

**244023** Level Indicator  
Instruction manual 309200.





---

# Table of Contents System Drawings

---

15

Installation and Piping Recommendations .....	168-169
Designing a System .....	170-171
Fast Oil Change .....	172-173
Automotive Dealership .....	174-175
Auto Service Shop .....	176-177
Truck and Fleet Maintenance .....	178-179
Notes .....	180



# Lubrication Systems

## Installation / Piping Recommendations

15

### Technical Information

#### Qualified Installers

Always use a qualified installer and ensure the installer follows the detailed instructions included with every Graco product.

1. Always use new pipe. Make certain that pipes are clean and free of rust and scale.
2. When cutting pipe remove burrs and chips that may damage dispense valves and meters.
3. Always flush the system with oil before attaching dispense valves and meters.

#### Air Lines

Main Line	Branch Line	Pump Model
3/4 in or 1 in ID pipe	3/8 in or 1/2 in ID pipe	Fast-Ball; Mini Fire-Ball 225; Fire-Ball;
3/4 in or 1 in ID pipe	1/2 in ID pipe	Fire-Ball

#### Fluid Lines

This information applies to typical automotive flow rate service requirements.

#### Chassis Grease Lubricant Supply Lines

Based upon 5000 psi maximum working pressure

Supply Line Length	Supply Pump	Hydraulic Supply Line Tubing	ASTM A53 or A106 Grade "B" - Seamless Pipe (6000 psi forged steel fittings)
Up to 50 feet	50:1 Fire-Ball 300	5/8" OD x .109" Wall Tube 50:1 Fire-Ball 425	1/2" Schedule 80
50 to 100 feet	50:1 Fire-Ball 300	5/8" OD x .109" Wall Tube 50:1 Fire-Ball 425	1" Schedule 160
100 to 200 feet	50:1 Fire-Ball 300	N/A	1-1/4" Schedule 160
100 to 200 feet	50:1 Fire-Ball 425	N/A	1-1/2" Schedule 160
200 feet and up	50:1 Fire-Ball 300 50:1 Fire-Ball 425	N/A	1-1/2" Schedule 160

#### Motor Oil, Gear Lube, or ATF Lubricant Supply Lines

Based upon 1000 psi maximum working pressure

Supply Line Length	Supply Pump	Hydraulic Supply Line Tubing	ASTM A53 Buttwelded Pipe (Class 300 malleable fittings)
Up to 50 feet	5:1 Fire-Ball 300	5/8" OD x .049" Wall Tube	1/2" Schedule 40
Up to 50 feet	10:1 Fire-Ball 425	3/4" OD x .049" Wall Tube	3/4" Schedule 40
50 to 100 feet	5:1 Fire-Ball 300	3/4" OD x .049" Wall Tube	3/4" Schedule 40
50 to 100 feet	10:1 Fire-Ball 425	1" OD x .049" Wall Tube	1" Schedule 40
100 to 200 feet	5:1 Fire-Ball 300	1" OD x .049" Wall Tube	1" Schedule 40
100 to 200 feet	10:1 Fire-Ball 425	1-1/2" OD x .095" Wall Tube	1-1/4" Schedule 40
200 feet and up	5:1 Fire-Ball 300	1-1/2" OD x .095" Wall Tube	1-1/4" Schedule 40
200 feet and up	10:1 Fire-Ball 425	1-1/2" OD x .095" Wall Tube	1-1/4" Schedule 40

#### Warning

Some equipment contained in this Buyer's Guide is capable of producing high pressure. Misuse or misapplication of this equipment can cause component rupture, fire or explosion and result in serious bodily injury, including fluid injection or splashing in the eyes or on the skin. Never exceed the maximum working pressure of the lowest-rated component in the system. See the instruction manual included with the equipment for more detailed information.

# Lubrication Systems

## Installation / Piping Recommendations

### Steel Tubing and Iron Pipe Information

**Seamless Steel tubing is designated by its outside diameter (OD) and its wall thickness.** While it is available in a wide range of sizes (3/8 in, 1/2 in, 5/8 in, 7/8 in, and 1 in OD) tubes are quite commonly used as fluid lines. Choice of wall thickness is practically unlimited and is governed by the working pressures encountered.

Wall Thickness of Tubing	.025 in	.028 in	.032 in	.035 in	.042 in	.049 in	.058 in	.065 in	.072 in	.083 in	.095 in	.109 in	.125 in
<b>Steel Tubing O.D.</b>	1/8 in	6000	6700	7680	8430	9920	11750	----	----	----	----	----	----
	3/16 in	4000	4470	5100	5610	6750	7850	----	----	----	----	----	----
	1/4 in	2980	3350	3830	4200	5040	5980	7000	7850	----	----	----	----
	5/16 in	2410	2690	3080	3370	4040	4710	5610	6290	6950	8010	----	----
	3/8 in	1990	2240	2560	2800	3360	3920	4660	5240	5790	6660	7640	8720
	13/32 in	1845	2070	2360	2585	3100	3620	4285	4800	5320	6130	7015	8050
	7/16 in	1715	1920	2190	2400	2880	3360	4000	4500	4960	5720	6550	7490
	1/2 in	1490	1675	1920	2100	2520	2940	3500	3925	4340	5000	5720	6540
	9/16 in	1330	1490	1705	1870	2240	2620	3110	3490	3860	4450	5090	5810
	5/8 in	1200	1340	1535	1680	2020	2350	2800	3140	3470	4000	4580	5230
	11/16 in	1090	1220	1395	1530	1830	2135	2530	2835	3140	3620	4145	4755
	3/4 in	1000	1120	1280	1400	1640	1960	2320	2600	2880	3320	3800	4360
	7/8 in	860	960	1090	1200	1440	1680	1985	2225	2465	2845	3255	3740
	1 in	750	840	960	1050	1260	1470	1740	1950	2160	2490	2850	3270
	1 1/8 in	665	747	854	935	1120	1310	1545	1735	1920	2215	2535	2910

*Note: The values above are based on an allowable fiber stress of 15,000 psi (1,034 bar). For approximate bursting pressures, multiply these values by a factor of 3.3.*

**Standard iron pipe is designated by its nominal inside diameter (ID),** in 1/8 in, 1/4 in, 3/8 in, 1/2 in, 3/4 in, 1 in, 1-1/2 in, 2 in, 2-1/2 in, and 3 in, etc. increments.

While errors in the early manufacturing of pipe have caused inconsistencies in the smaller pipe IDs, the size designations have still been retained. Pipe comes in three weights: standard; extra-heavy, and double extra-heavy, all having the the same outside diameter (OD). Cast steel fittings are recommended for extra-heavy pipe and forged steel fittings are recommended for double extra-heavy pipe.

Nominal Diameter (inches)	1/8 in	1/4 in	3/8 in	1/2 in	3/4 in	1 in	1-1/4 in	1-1/2 in	2 in	2-1/2 in	3 in
<b>Standard Pipe; Schedule 40</b>	Actual OD (inches)	0.405	0.54	0.675	0.84	1.05	1.315	1.66	1.9	2.375	2.875
	Actual ID (inches)	0.269	0.364	0.493	0.622	0.824	1.049	1.38	1.61	2.067	2.469
	Inside area (sq. inches)	0.06	0.1	0.19	0.3	0.53	0.86	1.49	2.04	3.36	4.79
	Working Pressure (psi)	2820	2172	1797	1731	1434	1348	1124	1017	864	940
	U.S. gallons per lineal ft	0.003	0.005	0.01	0.016	0.028	0.045	0.077	0.106	0.174	0.248
	Ft of pipe containing 1 U.S. gal	333.7	185.1	100.8	63.33	36.12	22.21	12.87	9.45	5.74	4.02
	Weight (U.S. pounds) per foot	0.244	0.424	0.567	0.85	1.13	1.68	2.27	2.72	3.65	5.79

Nominal Diameter (inches)	1/8 in	1/4 in	3/8 in	1/2 in	3/4 in	1 in	1-1/4 in	1-1/2 in	2 in	2-1/2 in	3 in
<b>Schedule 80 Pipe</b>	Actual OD (inches)	0.405	0.54	0.675	0.84	1.05	1.315	1.66	1.9	2.375	2.875
	Actual ID (inches)	0.215	0.302	0.423	0.546	0.742	0.957	1.278	1.5	1.939	2.323
	Inside area (sq. inches)	0.036	0.071	0.141	0.231	0.425	0.71	1.28	1.75	3	4.24
	Working Pressure (psi)	3977	2937	2488	2333	1954	1814	1533	1403	1222	1280
	U.S. gallons per lineal ft	0.0018	0.0037	0.008	0.012	0.022	0.0375	0.0675	0.09	0.15	0.225
	Ft of pipe containing 1 U.S. gal	534.7	266.5	133.3	82	44.4	26.6	14.8	11.1	6.66	4.4
	Weight (U.S. pounds) per foot	0.314	0.538	0.738	1.09	1.47	2.2	3	3.6	5	7.7

Nominal Diameter (inches)	1/2 in	3/4 in	1 in	1-1/4 in	1-1/2 in	2 in	2-1/2 in	3 in
<b>Schedule 100 Pipe</b>	Actual OD (inches)	0.84	1.05	1.315	1.66	1.9	2.375	2.875
	Actual ID (inches)	0.464	0.612	0.815	1.16	1.338	1.687	2.125
	Inside area (sq. inches)	0.05	0.148	0.282	0.63	0.95	1.77	2.46
	Working Pressure (psi)	4666	3910	3629	3068	2807	2560	2446
	U.S. gallons per lineal ft	0.0026	0.0075	0.015	0.033	0.049	0.092	0.127
	Ft of pipe containing 1 U.S. gal	381.8	133.2	66.6	30.3	20.2	10.8	7.84
	Weight (U.S. pounds) per foot	1.71	2.44	3.66	5.21	6.4	9.03	13.7

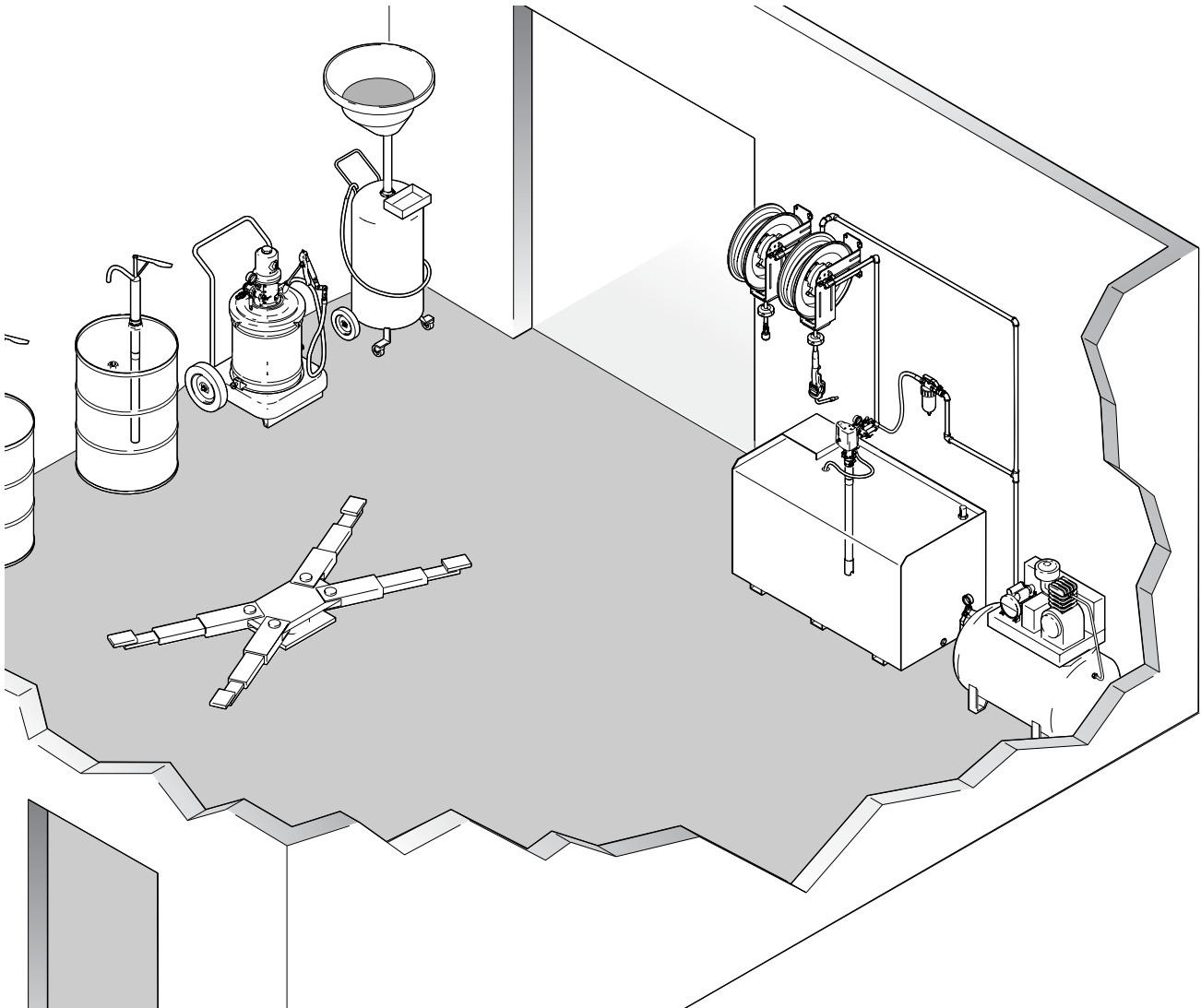
# Designing A System

15

## Information Needed to Design a System

- 1 Flow Rate Desired at Dispense Point
- 2 Fluid Type
- 3 # of Dispense Points for Each Fluid
- 4 Line Size and Diameter Length
- 5 Hose Reel Length and Hose Diameter
- 6 Unmetered or Metered Dispense Valve and Inlet Size

*See page 159 for details.*





## Industrial Lubrication Equipment Application Request

Fax completed form to 800-533-9656

Date: \_\_\_\_\_

<b>DISTRIBUTOR:</b>		Contact:
Address:		Phone:
City, State, Zip		Fax:

<b>GRACO REPRESENTATIVE:</b>		Contact:
Address:		Phone:
City, State, Zip		Fax:

<b>END USER:</b>		Contact:
Address:		Phone:
City, State, Zip		Fax:

<b>MATERIAL SUPPLIER:</b>		Contact:
Address:		Phone:
City, State, Zip		Fax:

**PLEASE SUPPLY THE MATERIAL SUPPLIER TECHNICAL DATA SHEET FOR THE SERVICE FLUID.**

<b>Container Size:</b>	5 gallon <input type="checkbox"/>	55 gallon, closed <input type="checkbox"/>	55 gallon, open <input type="checkbox"/>	Bulk <input type="checkbox"/> , Size: _____	Other: _____
------------------------	-----------------------------------	--	--	---	--------------

<b>Pump Mounting:</b>	Wall <input type="checkbox"/>	Floor <input type="checkbox"/>	Cart <input type="checkbox"/>	Stand <input type="checkbox"/>	Stand Pipe <input type="checkbox"/>	Drum <input type="checkbox"/>	Ram <input type="checkbox"/>	Other: _____
-----------------------	-------------------------------	--------------------------------	-------------------------------	--------------------------------	-------------------------------------	-------------------------------	------------------------------	--------------

<b>Fluid Intake:</b>	Siphon <input type="checkbox"/>	Immersed <input type="checkbox"/>	Ram Feed <input type="checkbox"/>	Pressure <input type="checkbox"/>	Gravity <input type="checkbox"/>	Other: _____
----------------------	---------------------------------	-----------------------------------	-----------------------------------	-----------------------------------	----------------------------------	--------------

<b>Spraying:</b>	AS <input type="checkbox"/> AL <input type="checkbox"/>	Manual: <input type="checkbox"/> Automatic: <input type="checkbox"/>	Flow Rate/Gun: _____	Width of Pattern (in.): _____
	Qty. of guns: _____	Spray Pressure: _____	Heated      °F      °C	Longest run length: _____

<b>Transfer:</b>	Flow Rate: _____	Pipe/Hose Length/Size: _____	Total run length: _____
------------------	------------------	------------------------------	-------------------------

<b>Dispense:</b>	Flow Rate/Valve: _____	Reel Hose Length/Size: _____	# valves open at one time: _____
	Longest run length: _____		

<b>Metering:</b>	Shot Size: _____	Shots/Min. _____	Accuracy ±      %	Time/Shot: _____
------------------	------------------	------------------	-------------------	------------------

Grease	Oil
Material Name: _____	Material Name: _____
Material Number: _____	Material Number: _____
NLGI Number: _____	Oil Weight: _____
Specific Gravity: _____	Viscosity (cp) @ Temperature: _____
Water Based: <input type="checkbox"/>	Specific Gravity: _____
Synthetic: <input type="checkbox"/>	
Fillers: <input type="checkbox"/> Type: _____	

<b>Quotation &amp; Pricing:</b>	Firm Quote: Yes/No	Project Budgeted: Yes/No	Budgetary Quote: Yes/No	
	Probability of Purchase: _____ %	Acceptable Price Range: \$ _____		

<b>Competition:</b>	Competition: Yes/No	Who (model): _____
---------------------	---------------------	--------------------

<b>Project Date:</b>	Order Award Date: _____	Installation Date: _____
	Deliver Date or Lead Time Required: _____	

<b>Other Application Information or Instructions</b>

# Fast Oil Change

## Typical System Layout

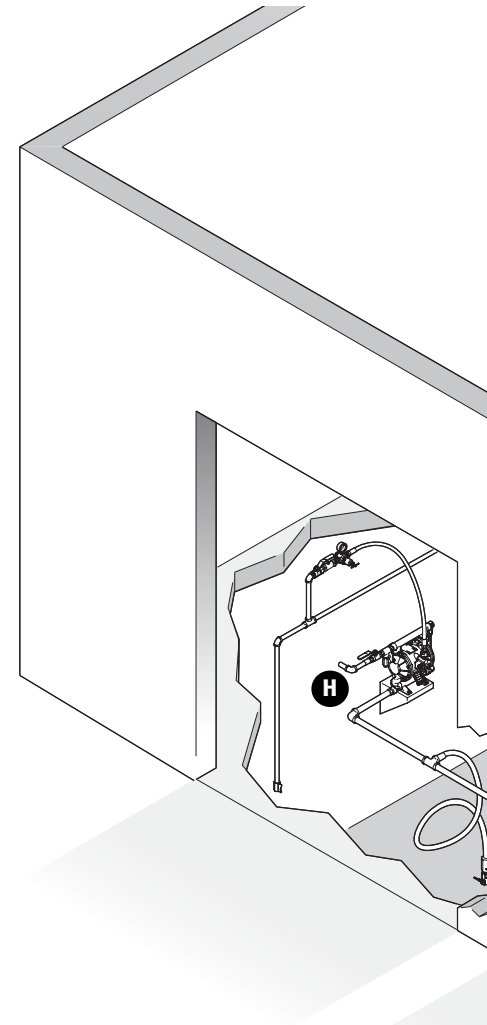
15

### Typical System for the Fast Oil Change Application

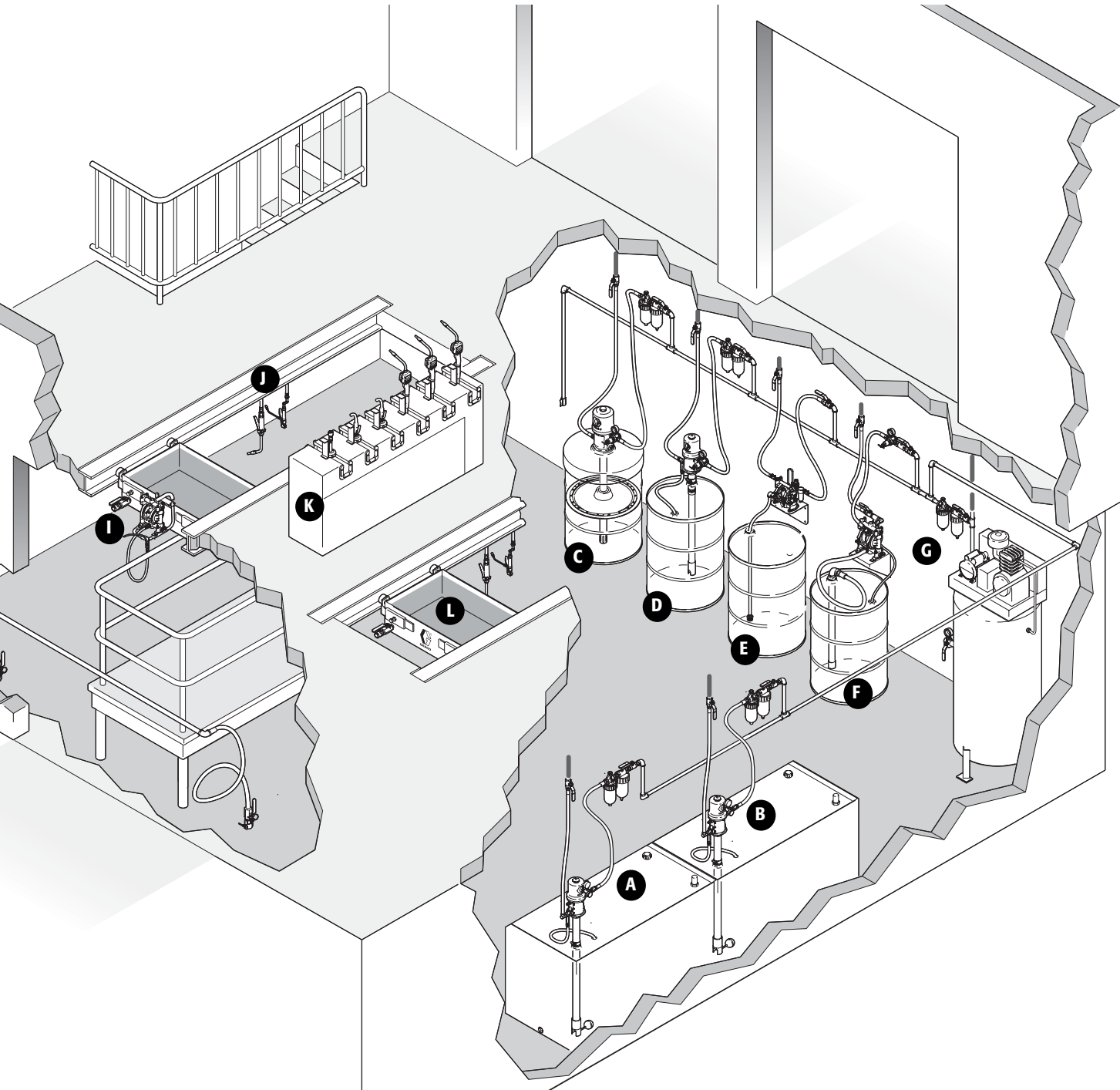
This drawing is only a guide to provide a typical equipment range and system layout. Consult an authorized Graco representative before selecting or installing any Graco lubrication equipment or designing a lubrication system.

#### System Components

- A Motor Oil**  
Fire-Ball 300, 5:1 oil pump  
3/8 in air regulator with gauge  
3/8 in air filter  
3/8 in lubricator  
Thermal relief kit  
Low-level cut-off  
Bleed-type air shut-off valve  
Hose and fitting kit  
Fluid shut-off valve
- B Transmission Fluid**  
Fire-Ball 300, 5:1 oil pump  
3/8 in air regulator with gauge  
3/8 in air filter  
3/8 in lubricator  
Thermal relief kit  
Low-level cut-off  
Bleed-type air shut-off valve  
Hose and fitting kit  
Fluid cut-off valve
- C Grease**  
Fire-Ball 300, 50:1 grease pump  
Drum cover  
Follower plate  
3/8 in air regulator with gauge  
3/8 in air filter  
Bleed-type air shut-off valve  
Hose and fitting kit  
Fluid shut-off valve
- D Gear Oil**  
Fire-Ball 300, 5:1 gear oil pump  
3/8 in air regulator with gauge  
3/8 in air filter  
3/8 in lubricator  
Thermal relief kit  
Low-level cut-off  
Bleed-type air shut-off valve  
Hose and fitting kit  
Fluid shut-off valve
- E Anti-Freeze**  
1:1 diaphragm pump  
3/8 in air regulator with gauge  
3/8 in air filter  
Thermal relief kit  
Bleed-type air shut-off valve  
Hose and fitting kit  
Suction hose and kit  
Wall-mounting bracket  
Fluid shut-off valve
- F Windshield Washer Fluid**  
1:1 diaphragm pump  
3/8 in air regulator with gauge  
3/8 in air filter  
Thermal relief kit  
Fluid cut-off  
Air cut-off valve  
Hose and fitting kit  
Suction hose and kit  
Wall-mounting bracket
- G Air Compressor**  
3/4 in master air line filter  
3/4 in master air line lubricator  
3/4 in air line shut-off valve
- H Used-Oil Evacuation System**  
1:1 diaphragm pump  
3/8 in air regulator with gauge  
3/8 in air filter  
Bleed-type air shut-off valve  
Hose and fitting kit  
Drain hose kit  
Wall-mounting bracket
- I Port-Evac**
- J Pit Dispense Valves**  
Grease Dispense Valve with z-swivel  
Gear Oil Dispense Valve  
Fluid shut-off valves  
Hoses
- K Dispense Console**  
Dispense valves:  
air/water, windshield wash,  
anti-freeze, motor oil and  
automatic transmission fluid  
dispense valves
- L Rolling Used Oil Receiver**



*Note: Order miscellaneous connection hardware separately.*



# Automotive Dealership

## Typical System Layout

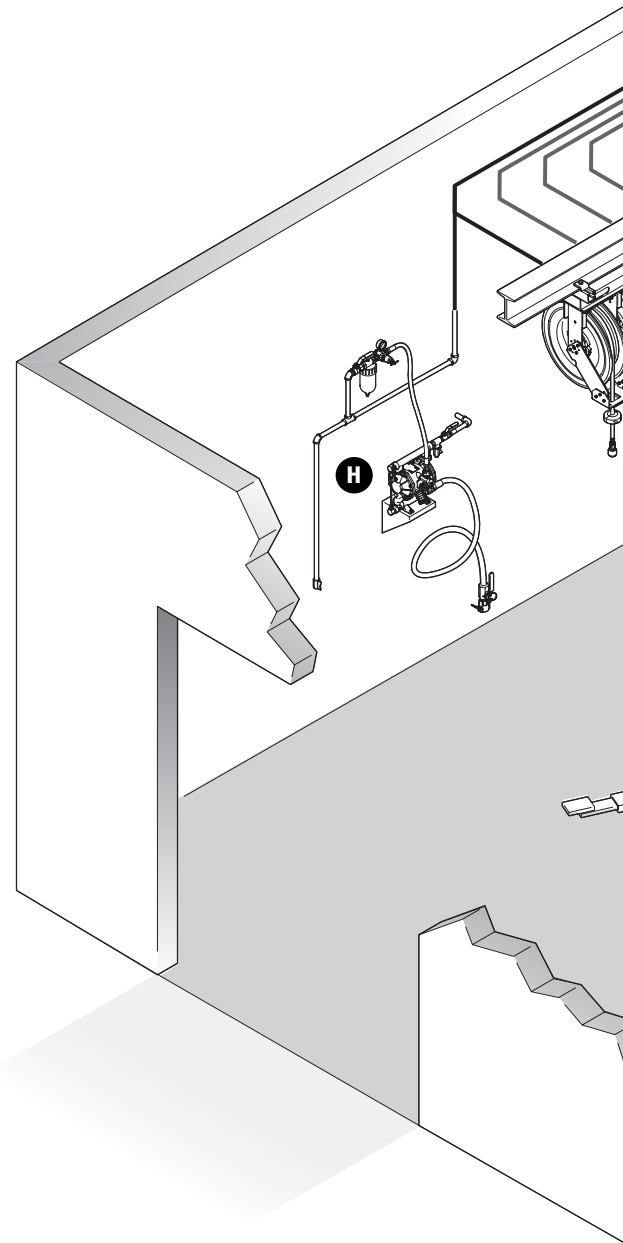
15

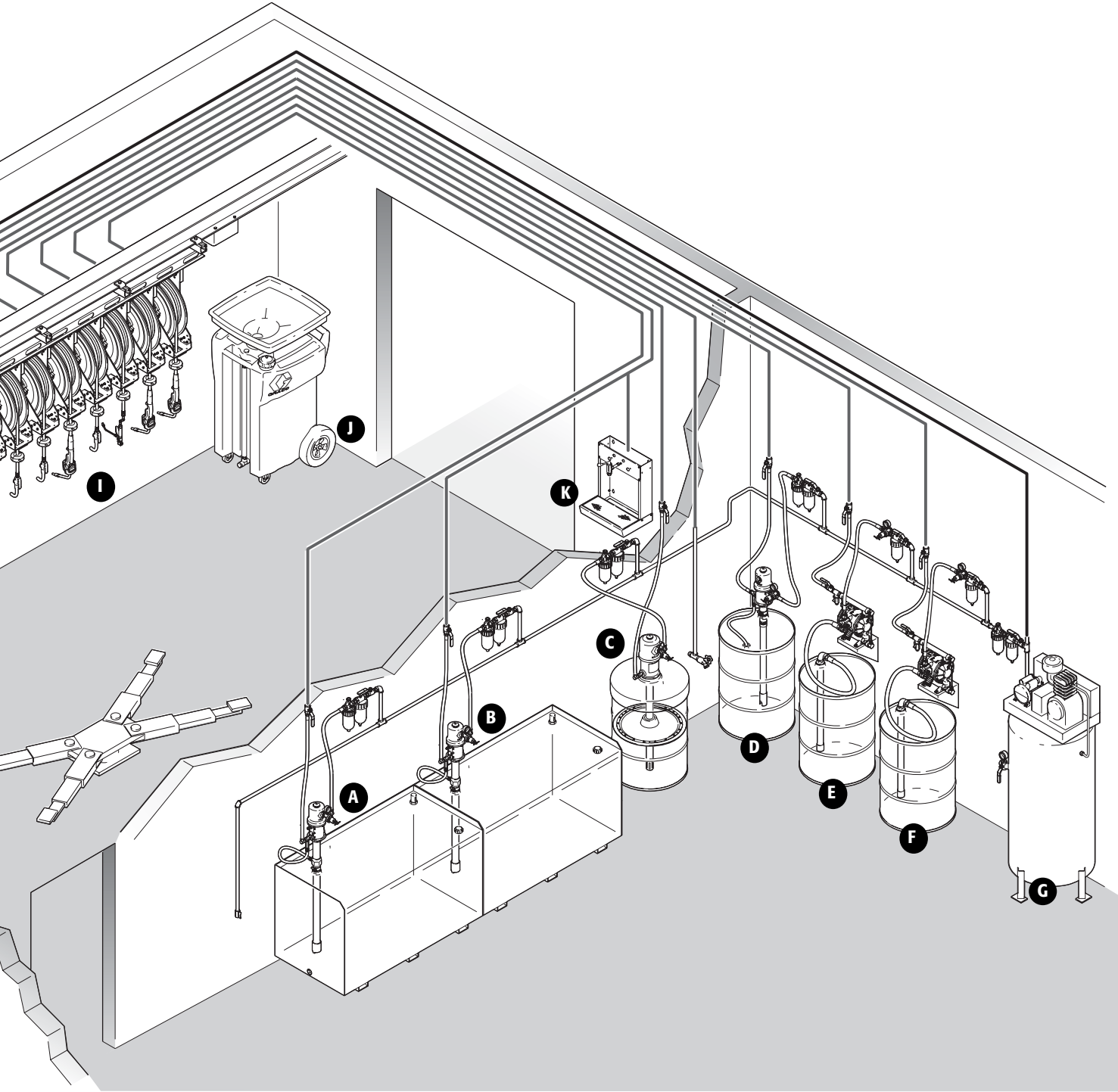
### Typical System for Automotive Dealership Application

This drawing is only a guide to provide a typical equipment range and system layout. Consult an authorized Graco representative before selecting or installing any Graco lubrication equipment or designing a lubrication system.

#### System Components

- A Motor Oil**  
Fire-Ball 300, 5:1 oil pump  
3/8 in air regulator with gauge  
3/8 in air filter  
3/8 in lubricator  
Thermal relief kit  
Low-level cut-off  
Bleed-type shut-off valve  
Hose and fitting kit  
Fluid shut-off valve
- B Transmission Fluid**  
Fire-Ball 300, 5:1 oil pump  
3/8 in air regulator with gauge  
3/8 in air filter  
3/8 in lubricator  
Thermal relief kit  
Low-level cut-off  
Bleed-type shut-off valve  
Hose and fitting kit  
Fluid shut-off valve
- C Grease**  
Fire-Ball 300, 50:1 grease pump  
Drum cover  
Follower plate  
3/8 in air regulator with gauge  
3/8 in air filter  
3/8 in lubricator  
Low-level cut-off  
Bleed-type shut-off valve  
Hose and fitting kit
- D Gear Oil**  
Fire-Ball 300, 5:1 oil pump  
3/8 in air regulator with gauge  
3/8 in air filter  
3/8 in lubricator  
Thermal relief kit  
Low-level cut-off  
Bleed-type shut-off valve  
Hose and fitting kit  
Fluid shut-off valve
- E Anti-Freeze**  
1:1 diaphragm pump  
3/8 in air regulator with gauge  
3/8 in air filter  
Thermal relief kit  
Air cut-off valve  
Hose and fitting kit  
Suction hose and kit  
Wall-mounting bracket  
Fluid shut-off valve
- F Windshield Washer Fluid**  
1:1 diaphragm pump  
3/8 in air regulator with gauge  
3/8 in air filter  
Thermal relief kit  
Bleed-type air shut-off valve  
Hose and fitting kit  
Suction hose kit  
Wall-mounting bracket  
Fluid shut-off valve
- G Air Compressor**  
3/4 in master air line filter  
3/4 in master air line lubricator  
3/4 in air line shut-off valve
- H Used-Oil Evacuation System**  
1:1 diaphragm pump  
3/8 in air regulator with gauge  
3/8 in air filter  
Bleed-type air shut-off valve  
Hose and fitting kit  
Drain hose kit  
Wall-mounting bracket
- I Overhead Reel Bank**  
Hose reels  
Reel mounting channels  
Dispense valves:  
air/water, windshield wash, gear oil, anti-freeze, grease,  
motor oil and  
automatic transmission fluid  
dispense valves
- J Oil King Used-Oil Receiver**
- K Oil Dispense Bar**







# Auto Service Shop

## Typical System Layout

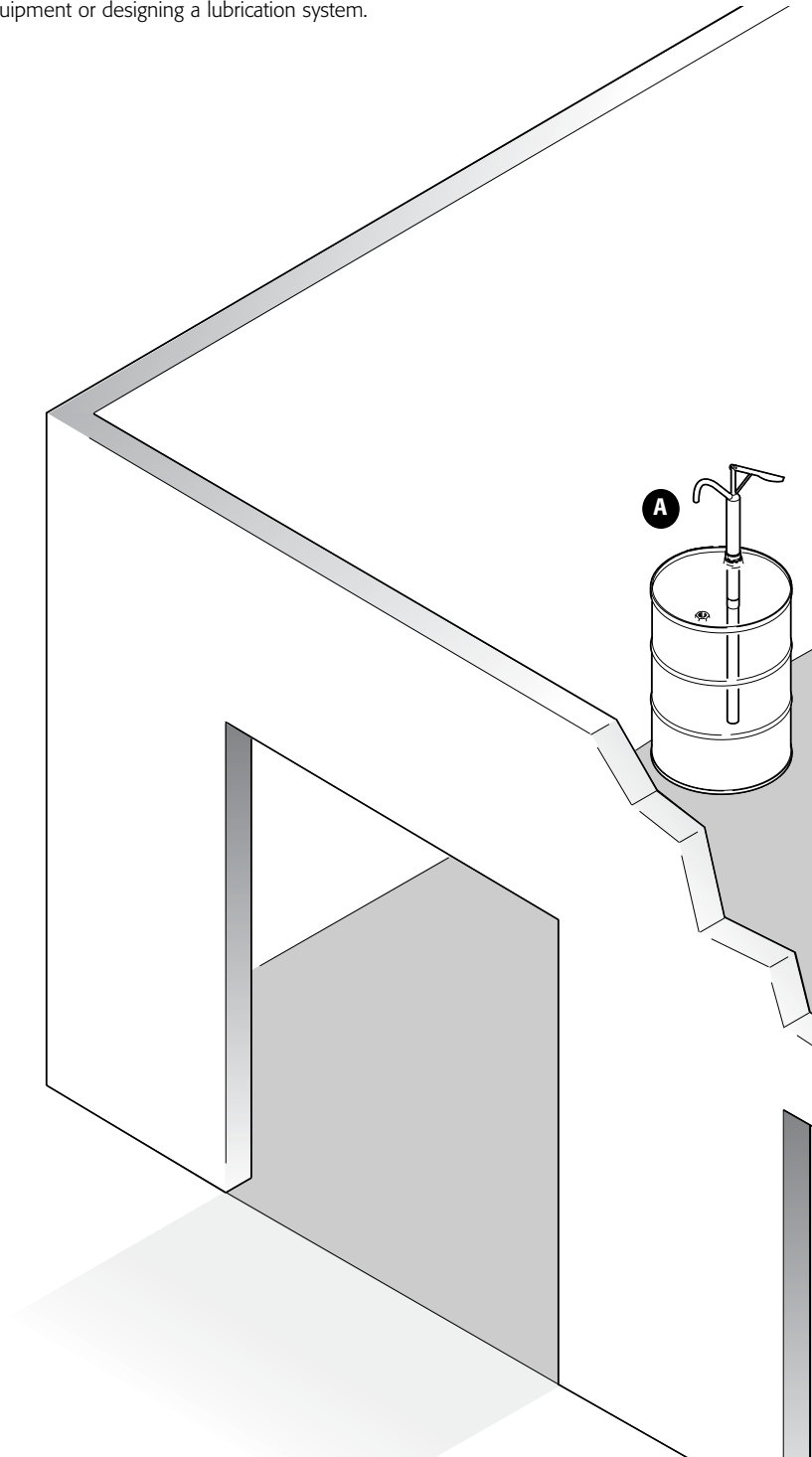
15

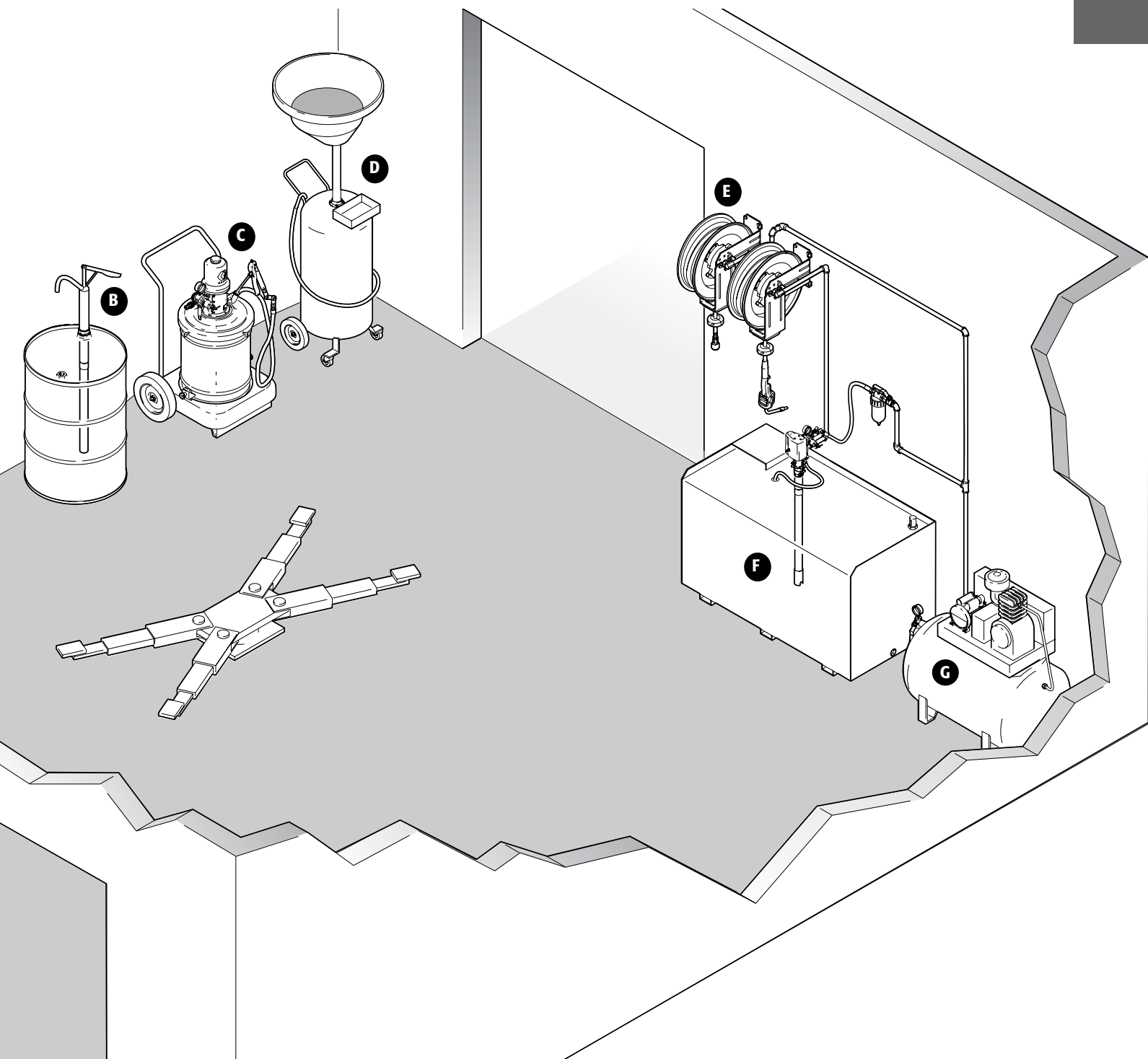
### Typical System for Lower-Volume Automotive Application

This drawing is only a guide to provide a typical equipment range and system layout. Consult an authorized Graco representative before selecting or installing any Graco lubrication equipment or designing a lubrication system.

#### System Components

- A Gear Oil**  
Hand-operated lever pump
- B Transmission Fluid**  
Hand-operated lever pump
- C Grease (120-lb/55kg)**  
Fire-Ball 300, 50:1 portable grease system  
3/8 in air regulator with gauge,  
hose and dispense kit
- D Waste-Oil Receiver**  
Oil Ace Pressurized Oil Drain
- E Wall-Mounted Hose Reels**  
250 Series air and motor oil hose reels  
EM5 electronic oil dispense meter  
water bibb, shut-off valves
- F Motor Oil**  
Mini Fire-Ball 225 pump for motor oil  
3/8 in regulator with gauge  
3/8 in air filter  
Thermal relief kit  
Fluid shut-off valve  
Bleed-type air shut-off valve  
Hose and fitting kit
- G Air Compressor**  
3/4 in master air line filter  
3/4 in master air line lubricator  
3/4 in air line shut-off valve





# Fleet Applications

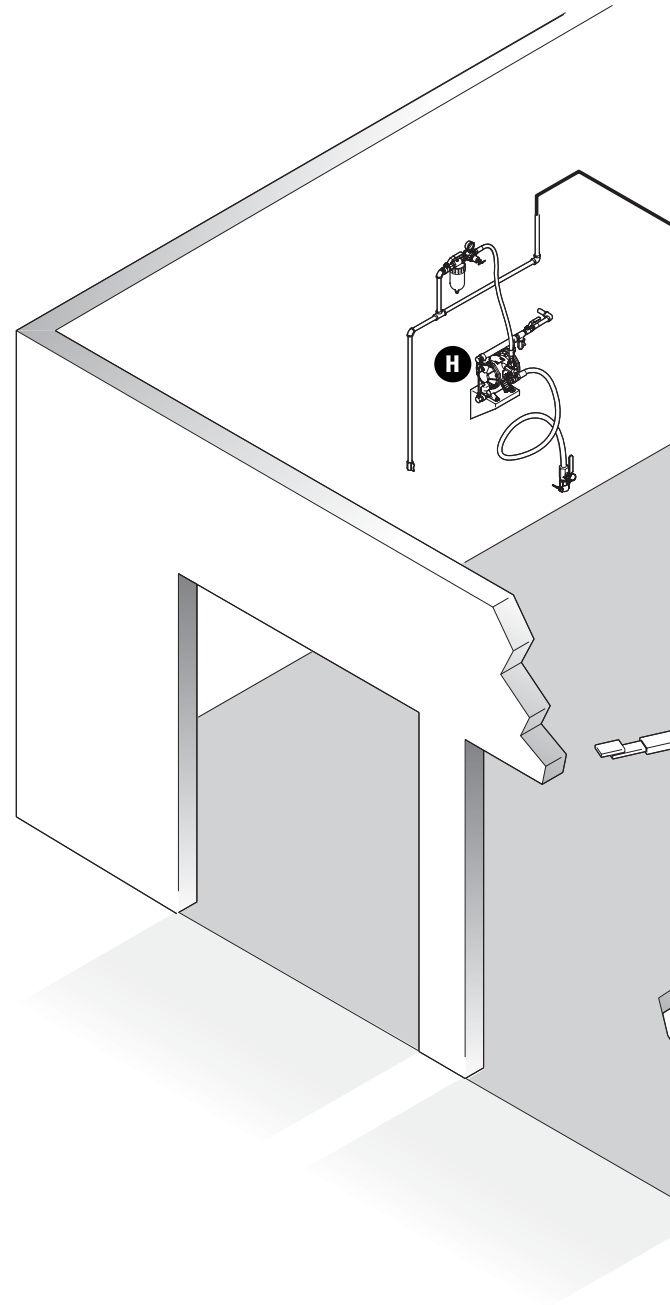
## Typical System Layout

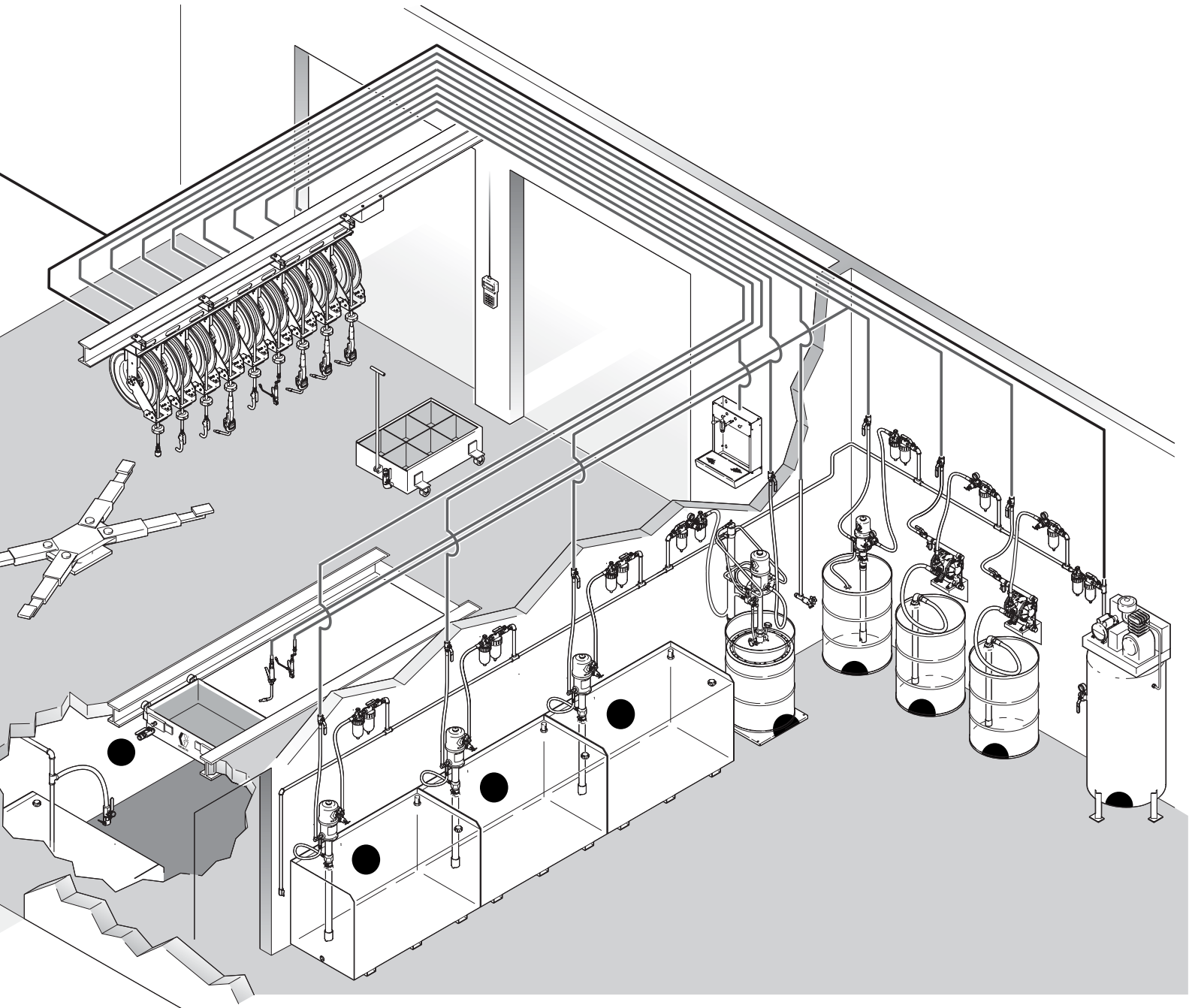
### Typical System for the Truck and Fleet Maintenance Application

This drawing is only a guide to provide a typical equipment range and system layout. Consult an authorized Graco representative before selecting or installing any Graco lubrication equipment or designing a lubrication system.

#### System Components

- A Motor Oil**  
 Fire-Ball 425, 10:1 oil pump  
 1/2 in air regulator with gauge  
 1/2 in air filter  
 1/2 in lubricator  
 Thermal relief kit  
 Low-level cut-off  
 Bleed-type air shut-off valve  
 Hose and fitting kit  
 Fluid shut-off
- B Transmission Fluid**  
 Fire-Ball 425, 10:1 oil pump  
 1/2 in air regulator with gauge  
 1/2 in air filter  
 1/2 in lubricator  
 Thermal relief kit  
 Low-level cut-off  
 Bleed-type air shut-off valve  
 Hose and fitting kit  
 Fluid shut-off
- C Grease**  
 Fire-Ball 425, 50:1 grease pump  
 Topper-inductor system  
 1/2 in air regulator with gauge  
 1/2 in air filter  
 1/2 in lubricator  
 Bleed-type air shut-off valve  
 Hose and fitting kit
- D Gear Oil**  
 Fire-Ball 425, 10:1 oil pump  
 1/2 in air regulator with gauge  
 1/2 in air filter  
 Thermal relief kit  
 Low-level cut-off  
 Bleed-type air shut-off valve  
 Hose and Fitting kit  
 Fluid shut-off
- E Anti-Freeze**  
 1:1 diaphragm pump  
 3/8 in air regulator with gauge  
 3/8 in air filter  
 Thermal relief kit  
 Bleed-type air shut-off  
 Hose and fitting kit  
 Suction hose kit  
 Wall-mounting bracket  
 Fluid shut-off valve
- F Windshield Washer Fluid**  
 1:1 diaphragm pump  
 3/8 in air regulator with gauge  
 3/8 in air filter  
 Thermal relief kit  
 Bleed-type air shut-off valve  
 Hose and fitting kit  
 Suction hose kit  
 Wall-mounting bracket  
 Fluid shut-off valve
- G Air Compressor**  
 3/4 in master air line filter  
 3/4 in master air line lubricator  
 3/4 in air line shut-off valve
- H Used-Oil Evacuation System**  
 1:1 diaphragm pump  
 3/8 in air regulator with gauge  
 3/8 in air filter  
 Bleed-type air shut-off  
 Hose and fitting kit  
 Wall-mounting bracket
- I Overhead Reel Bank**  
 Hose reels  
 Reel mounting channels  
 Dispense valves:  
 air/water, windshield wash, gear oil,  
 anti-freeze, grease, motor oil and  
 automatic transmission fluid  
 dispense valves
- J Drain Hose Kit**
- K Rolling Used-Oil Receiver**
- L Pit Dispense Valves**  
 Grease Dispense Valve with z-swivel  
 Gear Oil Dispense Valve  
 Hoses  
 Fluid shut-off valves
- M Rolling Truck Drain**
- N Oil Dispense Bar**







# Index

Part No.	Page No.	Part No.	Page No.	Part No.	Page No.
100030	.142	103347	.139	109157	.140
100040	.142	104266	.24, 48-49, 138	109158	.87, 140
100054	.111	104663	.142	109160	.140
100081	.142	105281	.142	109161	.140
100206	.142	105474	.129	109162	.140
100220	.21	106148	.24, 48-49, 67, 128, 138, 151	109163	.140, 158
100380	.142	106149	.24, 48-49, 67, 138	109165	.140
100385	.142	106150	.67, 138	109167	.140
100451	.142	106151	.138, 151	109169	.140
100474	.142	107141	.138	109170	.87, 140
100505	.142	107142	.138	110025	.129
100611	.149	107180	.99	110046	.141
100615	.142	108190	.149	110047	.141, 159
100737	.142	108458	.22, 24, 128-129, 159	110048	.141
100833	.111	108491	.135	110065	.139
100834	.111	108537	.14-15, 17, 22, 24	110069	.140
100837	.111	109064	.84	110127	.20
100840	.142	109075	.24, 48-49, 128, 138, 151, 158-159, 164	110146	.24, 67, 138, 149
100846	.111	109077	.138	110147	.24, 67, 138, 159, 164
100847	.111	109105	.141, 159	110148	.24, 138
100848	.111	109108	.141	110149	.24, 138, 164
100854	.111	109123	.141	110150	.24, 48-49, 138, 164
100896	.142	109124	.141	110196	.67, 139
100960	.24, 48-49, 139	109125	.9, 141, 149, 159	110197	.139
100970	.111	109126	.141	110198	.138
100971	.111	109127	.141	110199	.67, 138
101008	.143	109128	.141	110200	.138
101009	.143	109129	.141	110201	.107
101012	.143	109130	.141	110202	.107
101013	.143	109131	.141	110203	.107
101078	.22, 24	109132	.141	110216	.107
101180	.139	109133	.141	110218	.107
101277	.111	109134	.141	110223	.21, 24, 47, 67, 138, 159, 164
101281	.111	109135	.141	110224	.21, 24, 47, 67, 128, 138, 158-159, 164
101283	.111	109145	.109, 140	110225	.14-15, 17, 21, 24, 47, 67, 138, 158
101287	.111	109146	.140	110226	.21, 47, 67, 138, 158-159
101297	.111	109147	.140	110234	.138
101312	.111	109148	.109, 140	110236	.88
101339	.143	109149	.140	110237	.88
101340	.143	109150	.140	110255	.158
101376	.143	109151	.140	110285	.88
101378	.143	109152	.140	110314	.22
101520	.143	109153	.140	110318	.138, 149
101604	.112	109154	.140	110319	.139
101605	.112	109156	.86, 140		
102527	.126				

# Index

16

Part No.	Page No.	Part No.	Page No.	Part No.	Page No.
110326	.141	114904	.165	156589	.142
110702	.111	114905	.165	156684	.142
110703	.111	114909	.165	156789	.133
110704	.111	114910	.165	156823	.142
110705	.111	115042	.158-159	156849	.142, 151
110706	.111	115123	.164-165	156971	.142, 149
110709	.111	115124	.164-165	157191	.142
110710	.111	116229	.135	157416	.142, 151
110711	.111	117256	.115, 121	157676	.142
110712	.111	117310	.117, 119	157705	.142
110713	.111	117427	.119	157785	.142
110877	.22	117429	.119	158256	.142
110878	.22	117435	.119	158383	.142
110906	.22	117676	.103	158491	.142
110907	.22	118346	.119, 122	158555	.142
111010	.141	118464	.138	158581	.142
111470	.20, 47	119274	.118, 122	158586	.142
111511	.149	119278	.119	158683	.142
111620	.126, 128	119425	.115, 121	158990	.139
111697	.142	119435	.119, 122	159153	.142
112087	.24	119572	.119, 122	159239	.142
112119	.67	119577	.132	159801	.142
112196	.107	119645	.119, 122	159840	.142
112197	.73	120105	.118, 122	159841	.142
112198	.73	120107	.119	159842	.86, 142
112202	.72	120108	.121	15B750	.117
112255	.109	120110	.119	15C502	.20
112353	.21	150171	.142	15D587	.117
113093	.142	150286	.142	15D618	.117
113332	.159	150287	.86, 142	15D702	.119
113497	.67, 159	151519	.142	15F001	.117
113551	.125	154616	.133	15F002	.117
113553	.125	155470	.142	15F003	.117
113555	.126	155494	.142	15F004	.117
113556	.126	155495	.142	160022	.142
113557	.126	155541	.142	160327	.142
113558	.126	155570	.142	160754	.19, 46
113559	.126	155653	.142	161037	.142
113560	.126	155665	.142	161077	.142
113774	.126	155677	.142	161889	.142
113859	.129	155699	.142	162024	.142
114017	.93, 95	155865	.142	162225	.37, 39
114488	.164-165	156022	.142, 149	162449	.142
114829	.72	156172	.142	162505	.142
114901	.165	156173	.142	165198	.142
114902	.165	156296	.142	168595	.142
114903	.165	156580	.142	169967	.139

# Index

<b>Part No.</b>	<b>Page No.</b>	<b>Part No.</b>	<b>Page No.</b>	<b>Part No.</b>	<b>Page No.</b>
169970	.67, 139	202577	.108, 148	204159	.21
169971	.139	202579	.108	204204	.109
175013	.142	202600	.107	204254	.13, 24, 160
176393	.142	202650	.109	204264	.160
176684	.21	202654	.112	204351	.33
178670	.88	202858	.67, 138	204353	.35
180199	.22	202869	.47, 158	204385	.35, 37, 39, 47
180685	.86-87, 139	202965	.142	204461	.35, 37, 39
180698	.78, 80, 84	203156	.19	204467	.35
185416	.98	203198	.108	204560	.141
186472	.129	203265	.96, 101	204574	.11, 13, 19, 30-31, 33-34, 37, 39, 41, 46, 48-49, 62, 70, 147, 158
187359	.135	203320	.141	204741	.78, 80, 82
187479	.149	203497	.110	204867	.70
187754	.21	203504	.109	204897	.109
189233	.67, 134, 159	203521	.78	204929	.110
190125	.149	203522	.78	205054	.20, 47
190383	.96, 98	203523	.78	205090	.139
190384	.96, 98	203524	.78	205102	.37, 39
190386	.98	203525	.78	205148	.156, 158
191126	.20	203526	.78	205273	.86
191128	.20	203597	.108	205337	.45
191130	.20	203622	.11, 13, 20, 31, 34, 47, 70	205339	.35, 37, 39
191131	.20	203650	.20, 30-31, 33-34, 47, 70	205394	.37, 48, 161
191286	.93, 95	203655	.96, 101, 103	205395	.37, 43, 48, 158, 161
191287	.93, 95	203664	.33	205418	.141, 159
191288	.93, 95	203687	.96, 101, 103	205532	.110
191289	.93, 95	203688	.21, 24	205582	.110
191290	.93, 95	203697	.73, 107	205592	.110
191368	.125	203701	.73	205600	.141
191393	.126	203702	.73	205626	.17, 24
191394	.126	203703	.73	205699	.37, 39
191782	.96, 98	203716	.43	206199	.67
191784	.96, 98	203857	.13, 24, 160	206221	.159
191785	.96	203872	.13, 24, 160	206264	.139
192873	.126	203876	.13, 24, 151	206405	.41, 48, 147
192874	.126	203976	.33-34	206496	.148
194048	.142	203987	.19, 24, 159	206537	.158
196471	.88, 93, 95	204072	.109	206655	.160
200020	.109	204076	.21, 160	206656	.160
200021	.109	204082	.108	206699	.41, 48, 147
200325	.109	204083	.108	206700	.41, 48, 147
200326	.11, 13, 17, 19, 31, 35, 37, 39, 41, 46, 48-49, 62, 147, 158	204084	.108	206941	.87
200389	.109	204095	.160	207279	.37, 39, 43, 158
201701	.96, 101	204121	.34	207361	.160-161
201881	.110	204130	.45	207366	.62, 161
202573	.86	204134	.30, 33		
		204144	.20, 47, 147		



# Index

16

Part No.	Page No.	Part No.	Page No.	Part No.	Page No.
207367	.160	218112	.65	220596	.149
207468	.43	218115	.9	220598	.140, 151, 159
207561	.47	218316	.9, 138	220600	.140
207562	.47	218340	.78, 80, 82, 87	220604	.140
207651	.67, 158	218341	.78, 80, 82, 84, 86-87	220608	.86, 140
207738	.103	218429	.86	220653	.30, 33, 45, 48
207739	.103	218437	.86	220654	.31, 34, 45, 48, 161
207742	.103	218443	.86	221007	.135
207745	.103	218453	.86	221092	.140
207755	.138	218491	.86, 141	221093	.87, 140
207946	.108	218544	.86	221104	.156, 159
207947	.108	218545	.86-87, 139	222011	.67, 135
207948	.108	218546	.78, 86	222051	.9, 24
208009	.133	218548	.78	222058	.19, 41, 48, 147
208390	.138	218549	.78, 80, 82	222059	.30, 33, 46
208393	.138	218550	.78, 80, 82	222060	.34, 62, 160-161
208434	.142	218551	.82	222061	.34, 160-161
208536	.67, 138	218552	.82	222062	.11, 13, 18, 24
208610	.141, 158-159	218588	.126, 129	222063	.11, 13, 18, 24, 151, 160
208611	.141	218591	.78, 80, 82, 88	222065	.17, 24, 160
208627	.139	218670	.82	222066	.17-18, 24, 160
208630	.138	218671	.82	222067	.160
210880	.19	218672	.82	222068	.14-15, 17-18, 24
213012	.65	218673	.82	222069	.33
213013	.65	218674	.82	222070	.33-34, 44, 48
214570	.148	218675	.82	222071	.161
214583	.21	218676	.82	222072	.31, 34-35, 44, 48, 158, 161
214656	.141	218677	.82	222073	.34
214658	.70	218678	.82	222074	.34
214847	.24, 48-49, 138	218679	.82	222075	.161
214848	.24, 48-49, 138	218680	.82	222076	.37, 39, 44, 48, 158, 161
214849	.138	218681	.82	222077	.147
214925	.108	218969	.133	222078	.41
214926	.108	218970	.135	222079	.147
214955	.141	220107	.89	222080	.41, 44, 49
215407	.125, 128-129	220110	.89	222081	.41, 44, 49
215474	.126, 129	220112	.89	222082	.147
215480	.129	220168	.65	222085	.161
215481	.129	220170	.41	222086	.160
215487	.126, 128-129	220171	.41	222087	.13, 24
215745	.129	220483	.86	222090	.134
215964	.65	220577	.156, 159	222095	.17, 24, 160
217072	.14-15, 17, 24, 48-49, 138	220581	.159	222103	.9, 24
217073	.138, 159	220590	.140	222104	.9, 24
217359	.21	220591	.140, 159	222118	.18, 24
217430	.142	220592	.140	222119	.18, 24
218093	.141	220593	.140	222148	.134

# Index

<b>Part No.</b>	<b>Page No.</b>	<b>Part No.</b>	<b>Page No.</b>	<b>Part No.</b>	<b>Page No.</b>
222178	135	223952	158	224843	86
222225	78, 80, 82, 86-87	224023	147	224844	86
222243	20, 34, 47	224040	139	224845	86
222245	34	224050	82	224846	86
222308	9, 13, 21, 24, 151, 159	224051	82, 87	224847	86
222383	34, 44, 48	224055	82, 87	224848	86
222404	158	224056	82, 87	224872	106
222411	101	224058	82, 87	224873	134
222412	86-87, 101	224060	82	224912	62
222413	101	224148	158	224915	62
222545	156, 158	224266	37, 39, 43	224916	62
222602	9	224267	43	224930	86
222629	88	224352	87	224931	86
222641	88	224354	87	224932	86
222645	88	224362	87	224955	134
222776	158	224364	87	225006	34
222778	156, 158	224366	87	225014	34
222826	156, 159	224380	87	225016	35
222827	159	224382	87	225026	34
222828	156, 158	224384	87	225094	13
222831	156	224417	78, 80, 82	225272	133
222832	156, 159	224444	78, 80	225376	70
222835	156, 158	224450	78, 80, 82	225378	70
222837	156	224460	82	225380	70
222838	48	224512	11, 13, 138	225384	70
222902	62, 158	224534	151	225640	13
223090	158	224541	151	225642	13
223107	161	224569	108	225728	13
223108	37	224579	21, 160	225773	33
223131	86	224667	135	225781	37
223133	86	224700	135	225782	17
223135	86	224701	135	225786	17
223147	86	224741	61, 159	225827	33
223149	86	224742	61, 159	225844	73
223151	86	224751	62, 158	225852	13
223179	128-129	224752	62, 158	225853	17
223187	110	224762	134	225880	70
223344	37, 39, 45, 48, 161	224763	135	225914	73
223448	88	224825	147	225931	13
223695	134	224826	147	226012	33
223696	134	224835	67, 134, 149, 159	226013	35
223700	45, 62, 158	224837	86	226018	37
223701	45, 49, 62, 158	224838	86	226269	147
223845	31, 35, 45, 48, 161	224839	86	226289	71
223846	37, 39, 45, 48, 161	224840	86	226290	72
223888	135, 149	224841	86	226342	147
223920	98, 102	224842	86	226940	65

# Index

16

Part No.	Page No.	Part No.	Page No.	Part No.	Page No.
226941	.24, 65	237094	.78, 80	238439	.148
226942	.24, 65	237129	.65	238440	.148
226943	.65	237130	.65	238458	.93
226944	.24, 65	237131	.65	238461	.86-87, 93, 150-151
226945	.24, 65	237132	.65	238462	.86-87, 93
226947	.65	237133	.65	238463	.86-87, 93
226948	.65	237134	.65	238511	.95, 151
226951	.65	237160	.149	238512	.95
226952	.65	237161	.149	238515	.95
226953	.65	237261	.156, 158	238554	.95
232076	.128	237526	.14, 24	238555	.93
232077	.128	237601	.21, 24	238592	.20
233807	.106	237653	.61	238593	.20
233933	.106	237728	.84, 87	238595	.20
234114	.103	237861	.87, 140	238596	.20
234237	.148	237865	.87, 141	238618	.126
234423	.88	237866	.87, 141	238624	.125
234902	.56	237871	.87	238625	.125
235346	.133	237872	.84	238636	.98
235531	.128	237873	.84, 87	238637	.98
235532	.128	237874	.84, 87	238638	.98
235878	.96, 98, 100	237875	.84, 87	238639	.98
235901	.96, 98, 100	237879	.84, 87	238640	.98
235998	.21, 24, 126	237881	.84, 87	238641	.98
236054	.18, 24, 67, 159	237884	.84, 87	238642	.98
236058	.30-31, 44, 48	237893	.21, 24, 126, 129, 151	238643	.98
236171	.110	237901	.84	238644	.102
236205	.139	237904	.61	238645	.102
236206	.139	237932	.84	238646	.98, 102
236211	.139	237944	.84	238647	.98, 101-102
236265	.66, 134, 159	238108	.15, 24	238651	.102
236267	.66	238125	.21	238652	.102
236273	.66	238213	.80	238765	.66
236471	.156, 158	238245	.14-15, 17, 19, 24	238866	.132
236753	.61, 159	238246	.18, 24	238887	.93
236754	.61, 159	238371	.93, 95	238899	.21, 67
236763	.128-129	238400	.98, 102	238996	.126, 128-129
236764	.128-129	238428	.67, 159	239019	.129
236778	.19, 159	238429	.22	239301	.133
236864	.61, 158-159	238431	.22	239302	.133
236865	.61, 159	238432	.22	239702	.9
237020	.80	238433	.22	239703	.9
237022	.80, 150-151	238434	.22	239704	.18
237030	.80	238435	.148	239705	.70
237032	.80	238436	.148	239706	.89
237034	.80	238437	.148	239707	.70
237075	.11, 13, 18	238438	.148	239729	.39, 48, 161

# Index

<b>Part No.</b>	<b>Page No.</b>	<b>Part No.</b>	<b>Page No.</b>	<b>Part No.</b>	<b>Page No.</b>
239730	.39, 43, 48, 158, 161	241909	.84, 87	244641	.158
239731	.39, 48, 158	241910	.84, 87	244642	.158
239824	.99	242055	.106	244643	.158
239829	.93, 95	242056	.86-87, 106	244644	.158
239877	.33, 48, 158	242057	.106	244645	.158
239887	.34, 48, 161	242058	.106	244646	.158
239888	.35, 43, 48, 158, 161	243159	.164	244647	.158
239949	.93, 95	243170	.164	244648	.158
239950	.95	243501	.164	244649	.158
239951	.93, 95	243599	.96	244650	.158
239952	.66	243600	.96	244651	.158
239965	.44	243601	.96	244652	.158
239966	.44	243602	.96	244653	.158
240416	.93, 95	243603	.96	244654	.158
240417	.22, 24	243604	.96	244655	.158
240429	.21, 24, 126	243650	.133	244656	.158
240448	.128	243669	.66, 159	244657	.158
240453	.93, 95	243758	.93, 95	244658	.158
240684	.134	243817	.161	244678	.159
240685	.134	243818	.161	244679	.159
240832	.134	243835	.93, 95	244680	.159
240956	.78, 86	243836	.93, 95	244681	.159
240958	.78, 86	243837	.93, 95	244682	.159
240959	.78, 86	243838	.93, 95	244844	.37, 39, 43, 138, 158
240963	.78, 86, 150-151	243982	.82	244845	.138, 158
240967	.78, 86	243983	.80	244846	.14
241246	.44	243992	.96	244847	.17
241360	.159	244023	.165	244848	.158
241361	.159	244038	.151	244905	.37, 43
241485	.164	244055	.133	244906	.39, 43
241486	.164	244075	.100	245410	.85
241572	.164	244076	.100	245694	.33
241573	.164	244342	.129	245695	.33
241574	.165	244404	.129	245696	.34
241633	.151	244628	.15	246003	.117
241657	.66	244629	.159	246005	.117
241663	.20, 47	244630	.159	246006	.117
241791	.78, 80	244631	.159	246007	.117
241792	.78, 80	244632	.159	246008	.117
241793	.78, 80	244633	.159	246438	.117
241794	.78, 80	244634	.159	246439	.117
241795	.78, 80	244635	.39	246675	.117
241796	.78, 80	244636	.39	246775	.11, 24
241905	.128	244637	.39	246780	.31, 48
241906	.66, 134, 159	244638	.158	246781	.31, 48
241907	.87, 141	244639	.158	246903	.11
241908	.87, 141	244640	.158	246904	.11, 24

# Index

16

Part No.	Page No.	Part No.	Page No.	Part No.	Page No.
246906	.11, 24	249884	.115	286425	.148
246907	.11, 24	249885	.121	286427	.148
246909	.30, 48	253486	.56	286515	.148
246910	.30	253487	.56	286517	.147-148
246911	.30	253494	.56	286519	.148
246913	.30	253683	.56	286521	.148
246914	.31	260000	.58	286523	.148
246915	.31	260020	.58	286525	.148
246916	.31	260022	.58	286527	.148
246917	.31	260025	.58	286615	.148
247335	.43	260071	.58	286617	.148
247336	.43	260078	.58	286619	.148
247337	.43	260079	.58	286621	.147-148
248097	.11, 150	260083	.58	286623	.148
248230	.11	260100	.53	286625	.148
248296	.21	260101	.53	286627	.148
248312	.141	260102	.53	512152	.159
248313	.141	260104	.53	512874	.45, 158
248318	.117	260105	.53	512926	.125
248319	.117	260106	.53	512927	.126
248320	.117	260108	.53	514037	.126
248321	.119	260109	.53	514150	.126, 129
248322	.119	260110	.53	601950	.139
248323	.119	260111	.53	685984	.67, 159
248324	.21	260112	.53	948392	.45, 158
248417	.119	260113	.53	948393	.45, 158
248418	.119	260114	.53	965129	.39, 42-43, 48
248419	.119	260124	.54	D03005	.66
248421	.119	260145	.54	D03255	.66
248622	.150	260238	.54	D05007	.66
248623	.150	260306	.54	D05277	.66
248632	.132	260415	.54	D07005	.66
248907	.150	260521	.58	D07525	.66
248918	.56	260523	.58	D0B005	.66
249019	.119, 122	286211	.147	D0B525	.66
249020	.115	286315	.148	D0F005	.66
249021	.121	286317	.148	D0F525	.66
249058	.87, 141	286319	.148	D0K005	.66
249181	.86-87	286321	.148	D0K525	.66
249294	.56	286323	.148	D31255	.66, 149
249440	.88, 117	286325	.148	D73525	.66
249771	.56	286327	.148	DB3525	.66
249783	.56	286415	.148	DF3525	.66
249821	.56	286417	.148	DK3525	.66
249881	.117	286419	.148		
249882	.117	286421	.148		
249883	.117	286423	.148		

# The Graco Warranty

Graco warrants all equipment referenced in this document which is manufactured by Graco and bearing its name to be free from defects in material and workmanship on the date of sale by an authorized Graco distributor to the original purchaser for use. With the exception of any special, extended, or limited warranty published by Graco, Graco will, for a period of twelve months from the date of sale, repair or replace any part of the equipment determined by Graco to be defective. This warranty applies only when the equipment is installed, operated and maintained in accordance with Graco's written recommendations.

This warranty does not cover, and Graco shall not be liable for general wear and tear, or any malfunction, damage or wear caused by faulty installation, misapplication, abrasion, corrosion, inadequate or improper maintenance, negligence, accident, tampering, or substitution of non-Graco component parts. Nor shall Graco be liable for malfunction, damage or wear caused by the incompatibility of Graco equipment with structures, accessories, equipment or materials not supplied by Graco, or the improper design, manufacture, installation, operation or maintenance of structures, accessories, equipment or materials not supplied by Graco.

This warranty is conditioned upon the prepaid return of the equipment claimed to be defective to an authorized Graco distributor for verification of the claimed defect. If the claimed defect is verified, Graco will repair or replace free of charge any defective parts. The equipment will be returned to the original purchaser transportation prepaid. If inspection of the equipment does not disclose any defect in material or workmanship, repairs will be made at a reasonable charge, which charges may include the costs of parts, labor, and transportation.

## **THIS WARRANTY IS EXCLUSIVE, AND IS IN LIEU OF ANY OTHER WARRANTIES, EXPRESS OR IMPLIED, INCLUDING BUT NOT LIMITED TO WARRANTY OF MERCHANTABILITY OR WARRANTY OF FITNESS FOR A PARTICULAR PURPOSE.**

Graco's sole obligation and buyer's sole remedy for any breach of warranty shall be as set forth above. The buyer agrees that no other remedy (including, but not limited to, incidental or consequential damages for lost profits, lost sales, injury to person or property, or any other incidental or consequential loss) shall be available. Any action for breach of warranty must be brought within two (2) years of the date of sale.

GRACO MAKES NO WARRANTY, AND DISCLAIMS ALL IMPLIED WARRANTIES OF MERCHANTABILITY AND FITNESS FOR A PARTICULAR PURPOSE IN CONNECTION WITH ACCESSORIES, EQUIPMENT, MATERIALS OR COMPONENTS SOLD BUT NOT MANUFACTURED BY GRACO. These items sold, but not manufactured by Graco (such as electric motors, switches, hose, etc.), are subject to the warranty, if any, of their manufacturer. Graco will provide purchaser with reasonable assistance in making any claim for breach of these warranties.

In no event will Graco be liable for indirect, incidental, special or consequential damages resulting from Graco supplying equipment hereunder, or the furnishing, performance, or use of any products or other goods sold hereto, whether due to a breach of contract, breach of warranty, the negligence of Graco, or otherwise.

## **SPECIAL WARRANTIES FOR LUBRICATION EQUIPMENT**

Graco offers an extended warranty for the following products at no additional cost. All other terms and conditions of the Graco warranty shall apply.

Fire-Ball 300 Pumps: oil and grease	30 years
Fire-Ball 425 Pumps: grease	30 years
Fire-Ball 425 Pumps: oil	10 years
Fire-Ball 225 Pumps: oil	5 years
Falcon Pumps: grease	5 years
Diaphragm Pumps	15 years air valve center section; 5 years pump
250 & 500 Series Hose Reel	3 years
Electronic Fluid Meters	2 years
Matrix	2 years

These extended warranties reflect Graco's high degree of confidence in the quality and consistency of our products.

## **FOR GRACO CANADA CUSTOMERS**

The parties acknowledge that they have required that the present document, as well as all documents, notices and legal proceedings entered into, given or instituted pursuant hereto or relating directly or indirectly hereto, be drawn up in English. Les parties reconnaissent avoir convenu que la rédaction du présente document sera en Anglais, ainsi que tous documents, avis et procédures judiciaires exécutés, donnés ou intentés à la suite de ou en rapport, directement ou indirectement, avec les procédures concernées.

## **Equipment Misuse Hazard**

**General Misuse:** Any misuse of Graco equipment or accessories, such as over-pressurizing, modifying parts, using incompatible chemicals and fluids, or using worn or damaged parts, can cause them to rupture. Misuse of equipment can result in fluid injection, splashing in the eyes or on the skin, or other serious bodily injury, or fire, explosion or property damage. NEVER alter or modify any part of Graco equipment; doing so could cause the product to malfunction. CHECK all equipment regularly and repair or replace worn or damaged parts immediately. Always wear protective eye wear, gloves, clothing and respirator as recommended by fluid and solvent manufacturers.

**System Pressure:** Be sure that all equipment and accessories used are rated to withstand the applicable MAXIMUM WORKING PRESSURE. DO NOT exceed the maximum working pressure of any component or accessory used in a system.

**Fluid and Solvent Compatibility:** All chemicals used in a Graco sprayer must be compatible with wetted parts. Consult your chemical supplier to ensure compatibility. Do not use 1:1:1-trichloroethane, methylene chloride, other halogenated hydrocarbon solvents or fluids containing such solvents in this equipment, which contains aluminum and/or zinc parts. Such use could result in a serious chemical reaction, with the possibility of explosion, which could cause death, serious bodily injury and/or substantial property damage.



## ABOUT GRACO

Founded in 1926, Graco is a world leader in fluid handling systems and components. Graco products move, measure, control, dispense and apply a wide range of fluids and viscous materials used in vehicle lubrication, commercial and industrial settings.

The company's success is based on its unwavering commitment to technical excellence, world-class manufacturing and unparalleled customer service. Working closely with qualified distributors, Graco offers systems, products and technology that set the quality standard in a wide range of fluid handling solutions. Graco provides equipment for spray finishing, protective coating, paint circulation, lubrication, and dispensing sealants and adhesives, along with power application equipment for the contractor industry. Graco's ongoing investment in fluid management and control will continue to provide innovative solutions to a diverse global market.

## GRACO HEADQUARTERS

### MAILING ADDRESS

P.O. Box 1441  
Minneapolis, MN 55440-1441  
Tel: 612.623.6000  
Fax: 612.623.6777

### AMERICAS

*MINNESOTA*  
Worldwide Headquarters  
Graco Inc.  
88-11th Avenue N.E.  
Minneapolis, MN 55413

### EUROPE

*BELGIUM*  
European Headquarters  
Graco N.V.  
Industrieterrein-Oude Bunders  
Slakweidestraat 31  
3630 Maasmechelen,  
Belgium  
Tel: 32.89.770.700  
Fax: 32.89.770.777

### ASIA PACIFIC

*JAPAN*  
Graco K.K.  
1-27-12 Hayabuchi  
Tsuzuki-ku  
Yokohama City, Japan 2240025  
Tel: 81.45.593.7300  
Fax: 81.45.593.7301

### ASIA PACIFIC

*CHINA*  
Graco Hong Kong Ltd.  
Representative Office  
Room 118 1st Floor  
No.2 Xin Yuan Building  
No.509 Cao Bao Road  
Shanghai, P.R. China 200233  
Tel: 86.21.649.50088  
Fax: 86.21.649.50077

### ASIA PACIFIC

*KOREA*  
Graco Korea Inc.  
Choheung Bank Building  
4th Floor #1599  
Gwanyang-Dong, Dongan-Ku,  
Anyang-Si, Gyunggi-Do,  
Korea 431-060  
Tel: 82(Korea).31.476.9400  
Fax: 82(Korea).31.476.9801

## SALES/DISTRIBUTION/SERVICE

Customer Service  
800-533-9655  
FAX 800-533-9656  
www.graco.com

GRACO INC.  
P.O. Box 1441  
Minneapolis, MN 55440-1441

All written and visual data contained in this document are based on the latest product information available at the time of publication. Graco reserves the right to make changes at any time without notice.

Graco Inc. is registered to I.S. EN ISO 9001

