

## PRESSURE GAGES - Section 1

Page 2



1" to 1 1/2" Mini gage	3
1 1/2" to 4" Dry Utility Pressure Gages	4-5
1 1/2" to 2 1/2" Glycerine Filled Pressure Gages	6-7
4" Glycerine Filled Pressure Gages	8-9
2" to 6" All Stainless Steel Pressure Gages	10-11
6" All Stainless Steel Test Gages	12
Digital Gages	13
Snubbers and Gage Protectors	14

## TEST POINTS & HOSE ASSEMBLIES - Section 2 Page 15



Test Point Plugs and Probes	16-17
Hydra-Test Flexible Hose Assemblies	18
JIC Hose Couplings	19
Test Kits	19

## HYDRAULIC VALVES - Section 3

Page 20



2 and 3-Way High Pressure Ball Valves	21-22
SAE Split Flange Ball Valves	23
SAE Full Flange Ball Valves	24
Multi Way Ball Valves	25-26
4 Bolt Direct Mount Ball Valves	27
Manifold Mount Ball Valves	28
Stainless Steel High Pressure Ball Valves	29-30
Brass Low Pressure Ball Valves	31
Locking Handle Kits	32
Carbon Steel Check Valves	33
Flow Control Valves	34-35
Needle Valves	36-38

## RESERVOIR ACCESSORIES - Section 4

Page 39



Screw on Breathers	40
Filter Filler Breathers	41
Sight Level Gages	42

## Section 1 PRESSURE GAGES



### General Specifications for Standard Pressure Gages

The maximum working pressures of standard gages should not exceed 75% of full scale for constant pressure applications, or 66% of full scale for pulsating pressures.

Normal overpressures allowed are 1.25 times FSV for ranges up to 1,000 psi; 1.15 times FSV for ranges between 1,000 and 10,000 psi; 1.10 times FSV for higher pressures.

Glycerine is used as standard in most Dynamic filled gages.

Neither glycerine nor silicone should be used in applications involving oxygen, chlorine, nitric acid, hydrogen peroxide or other oxidizing agents.

Dynamic filled gages include a dual relief valve/blowout disc for operating safety.

Dial face includes black (psi) and red (bar) scales or black (psi) and red (kPa) scales.

## Table of Contents

<u>Product</u>	<u>Page No.</u>
Series DMG Mini Gages .....	3
Series CDS & CDP Dry Gages.....	4-5
Series CF Filled Gages.....	6-7
Series PDLC 4 Inch Filled Low Cost Gages.....	8
Series CF 4 Inch Filled Gages .....	9
Series PDSS Stainless Steel Gages .....	10-11
Series PDTG Test Gages.....	12
Series DPG Digital Gages.....	13
Snubbers & Gage Protectors .....	14

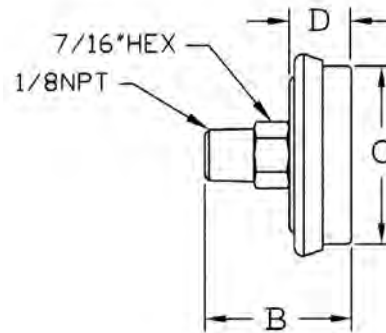
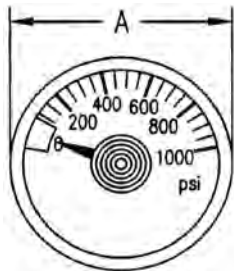
# DYNAMIC

FLUID COMPONENTS, INC.

## DMG SERIES Mini pressure gages

**NEW**

- Stainless Steel Case
- Spiral Wound Bourdon Tube
- Up to 4,000 PSI Range
- Dual Scale PSI & BAR
- Built in Snubber
- Brass Connection



Size	A	B	C	D
1.22 inch	1.22	1.13	.97	.48
1.46 inch	1.46	1.13	1.24	.48
1.62 inch	1.62	1.13	1.42	.48

### Ordering Example: **DMG** - **122** **P** - **140** - **D**

Model	Size	Type	Range	Style
DMG Model	122 - 1.22" dia.	P - Pressure	007 - 100 psi	D - ctr. back
Spiral	146 - 1.46" dia.		010 - 160 psi	
wound	162 - 1.62" dia.		015 - 200 psi	
Bourdon			020 - 300 psi	
Tube			040 - 600 psi	
			070 - 1000 psi	
			100 - 1500 psi	
			140 - 2000 psi	
			210 - 3000 psi	
			280 - 4000 psi	

Port Sizes .....1/8 NPT standard

# DYNAMIC

FLUID COMPONENTS, INC.

## CDS & CDP Dry Gages

1 1/2 to 2 1/2 Inch

Stem & Center Back Mount

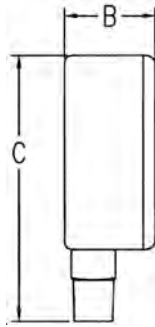
- Steel Case - CDS Series
- ABS Case - CDP Series
- Brass or Phosphor Bronze Bourdon Tube
- Vacuum to 6,000 PSI Range
- Dual Scale PSI & BAR
- Accuracy ± 1.6% FSD
- Temperature Range -40° to 180° F
- Built in Snubber
- Brass Connection



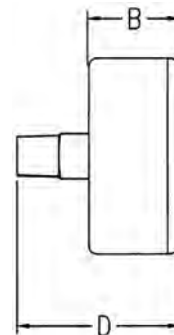
### INSTALLATION DATA



Style A



Style D



Size	A	B	C	D
1 1/2 inch	1.62	.98	2.24	1.18
2 inch	2.02	1.10	2.81	1.80
2 1/2 inch	2.47	1.10	3.22	1.80

Ordering Example: **CDS** - **1** **P** - **140** - **A**

**Model**  
CDS dry  
steel case  
\*CDP dry  
ABS case

**Size**  
\*4 - 1 1/2" dia.  
5 - 2" dia.  
1 - 2 1/2" dia.

**Type**  
P - Pressure  
V - Vacuum  
C - Compound

**Range**  
002 - 30"Hg - 30 psi    070 - 1000 psi  
000 - 30"Hg - 0 psi    100 - 1500 psi  
001 - 15 psi    140 - 2000 psi  
002 - 30 psi    210 - 3000 psi  
004 - 60 psi    280 - 4000 psi  
007 - 100 psi    350 - 5000 psi  
010 - 160 psi    420 - 6000 psi  
015 - 200 psi  
020 - 300 psi  
040 - 600 psi

**Style**  
A - stem  
D - ctr. back

Port Sizes    1 1/2".....1/8 npt standard  
                  2 - 2 1/2"....1/4 npt standard  
                                  1/8 npt avail. w/min. order  
                                  add -8N to end of part no.

\*Note: 1 1/2 inch dia. limited to 5000 psi  
CDP special order only

3.5" and 4" diameters are available but  
subject to minimum order quantity



FLUID COMPONENTS, INC.

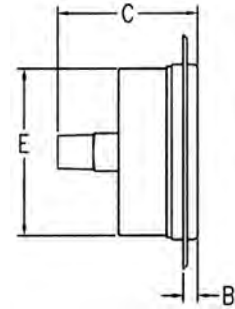
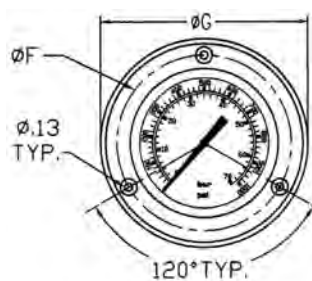
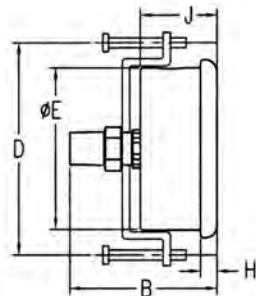
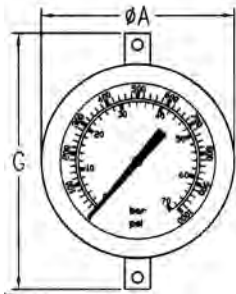
# CDS Dry Gages

## 2 and 2 1/2 Inch Panel Clamp & Panel Flange Mount

- Steel Case
- Brass or Phosphor Bronze Bourdon Tube
- Vacuum to 6,000 PSI Range
- Dual Scale PSI & BAR
- Accuracy ± 1.6% FSD
- Temperature Range -40° to 180° F
- Built in Snubber
- Brass Connection



### INSTALLATION DATA



Style B

Style E

Size	A	B	C	D	E	F	G	H	J
2 inch	2.27	2.04	1.77	2.36	2.05	2.46	2.81	.22	1.11
2 1/2 inch	2.68	2.04	1.82	3.23	2.45	2.83	3.31	.23	1.16

### Ordering Example: **CDS** - **1** **P** - **140** - **B**

**Model**  
CDS dry  
steel case  
CDP dry  
ABS case

**Size**  
\*4 - 1 1/2" dia.  
5 - 2" dia.  
1 - 2 1/2" dia.

**Type**  
P - Pressure  
V - Vacuum  
C - Compound

**Range**  
002 -30"Hg - 30 psi  
000 - 30"Hg - 0 psi  
001 - 15 psi  
002 - 30 psi  
004 - 60 psi  
007 - 100 psi  
010 - 160 psi  
015 - 200 psi  
020 - 300 psi  
040 - 600 psi  
070 - 1000 psi  
100 - 1500 psi  
140 - 2000 psi  
210 - 3000 psi  
280 - 4000 psi  
350 - 5000 psi  
420 - 6000 psi

**Style**  
B - panel clamp  
E - flange

**Port Sizes** 1 1/2".....1/8 npt standard  
\*\*2 - 2 1/2".....1/4 npt standard  
\*\*1/8 npt avail. w/min. order  
add -8N to end of part no.

\*Note: 1 1/2 inch dia. limited to 5000 psi

**Note**  
3.5" and 4" diameters are available but  
subject to minimum order quantity

# DYNAMIC

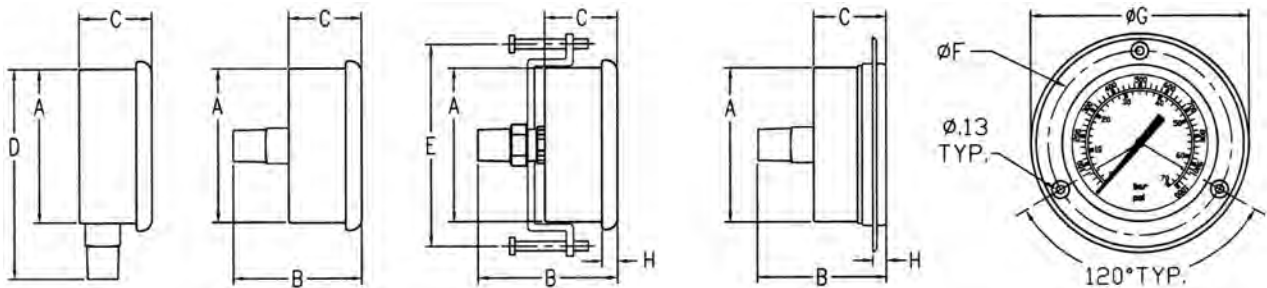
FLUID COMPONENTS, INC.

## CF Series 1 1/2 - 2 and 2 1/2 Inch Glycerine Filled

- Stainless Steel Case & Bezel
- Brass & Phosphor Bronze Bourdon Tube
- Vacuum to 6,000 PSI Range
- Dual Scale PSI & BAR
- Accuracy ± 1.6% FSD
- Temperature Range -40° to 180° F
- Brass Connection



### INSTALLATION DATA



Size	A	B	C	D	E	F	G	H
1 1/2 inch	1.61	1.75	1.00	-	-	-	-	.20
2 inch	2.00	2.25	1.16	3.09	2.36	2.51	2.87	.21
2 1/2 inch	2.44	2.25	1.14	3.42	3.17	2.93	3.43	.24

Ordering Example: **CF - 1 P - 004 - A**

<b>Model</b> CF	<b>Size</b> 1 - 2 1/2 dia.	<b>Type</b> C - compound	<b>Range</b> 002 - 30" Hg -30psi	<b>Style</b> A - stem
<b>Designation</b> for glycerine filled gages	5 - 2 dia.	V - vacuum	000 - 30" Hg - 0psi	B - panel clamp
	*4 - 1 1/2 dia.	P - pressure	001 - 15 psi	D - ctr. back
			002 - 30 psi	E - panel flange
			004 - 60 psi	
			007 - 100 psi	
			010 - 160 psi	
			015 - 200 psi	
			020 - 300 psi	
			040 - 600 psi	
			070 - 1000 psi	
			100 - 1500 psi	
			140 - 2000 psi	
			210 - 3000 psi	
			280 - 4000 psi	
			350 - 5000 psi	
			420 - 6000 psi	

\*Note: 1 1/2 inch available only as a center back mount  
port size - 1/8 npt. Limited to 5000 PSI.

Port Sizes for 2" and 2 1/2" are 1/4 npt  
Special sizes subject to minimum order qty.



FLUID COMPONENTS, INC.

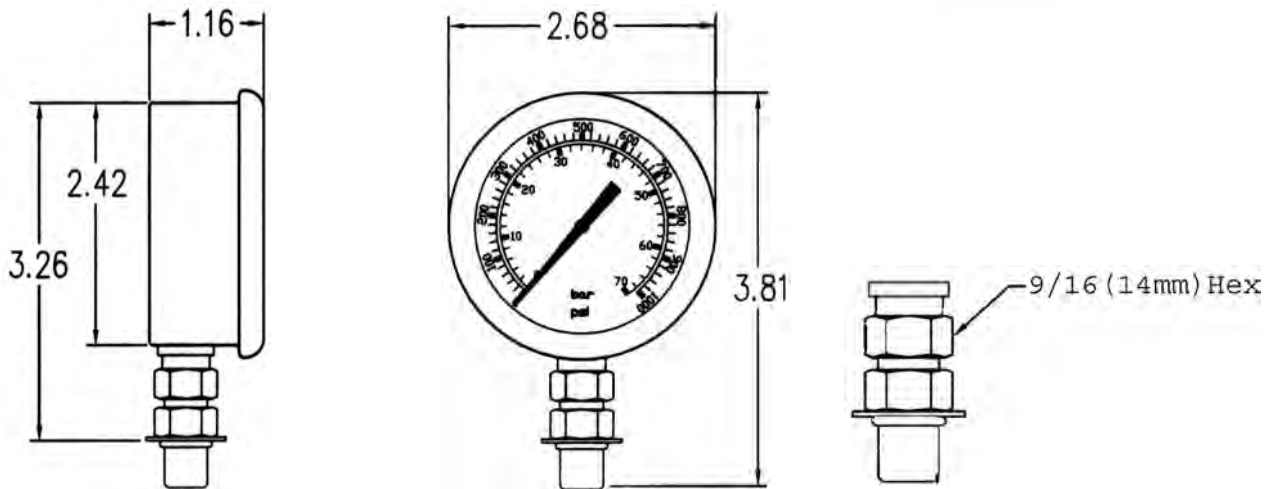
# CF Series

## 2 1/2 Inch with SAE thread

- Stainless Steel Case & Bezel
- Brass & Phosphor Bronze Bourdon Tube
- Vacuum to 6,000 PSI Range
- Dual Scale PSI & BAR (KPA referenced)
- Accuracy ± 1.6% FSD
- Temperature Range -40° to 180° F
- Brass Connection



### INSTALLATION DATA



### Ordering Example: **CF** - **1** **P** - **004** - **A** - **SAE**

Model	Size	Type	Range		Style	Port
CF	1 - 2 1/2 dia.	C - compound	002 - 30" Hg -30psi	070 - 1000 psi	A - stem	7/16-20 SAE
Designation for glycerine filled gage		V - vacuum	000 - 30" Hg - 0psi	100 - 1500 psi		
		P - pressure	001 - 15 psi	140 - 2000 psi		
			002 - 30 psi	210 - 3000 psi		
			004 - 60 psi	280 - 4000 psi		
			007 - 100 psi	350 - 5000 psi		
			010 - 160 psi	420 - 6000 psi		
			015 - 200 psi			
			020 - 300 psi			
			040 - 600 psi			

**Note: Also available in Center Back mount. Subject to minimum order quantity. Consult Factory.**

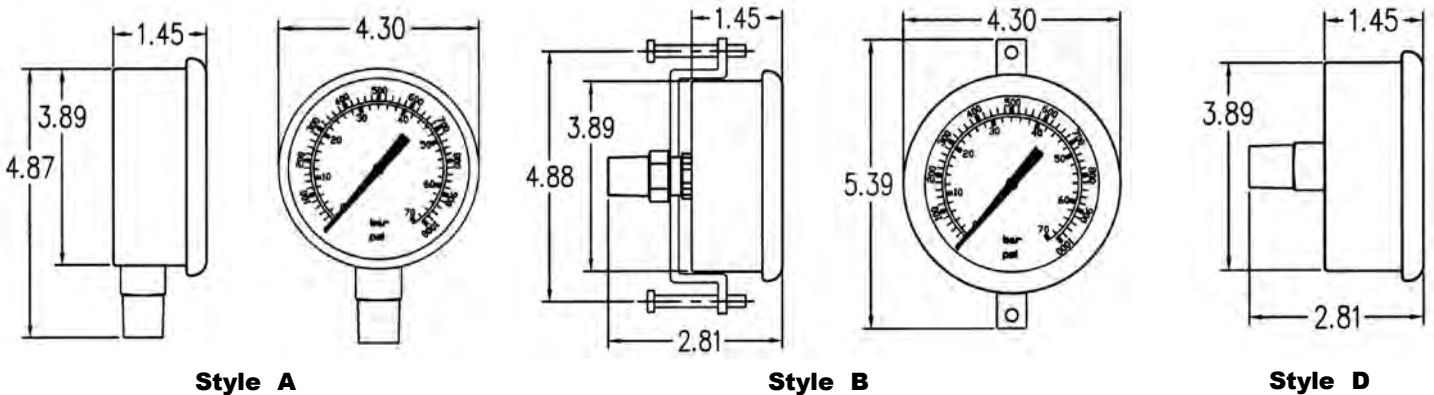
## PDLC Series 4 Inch Glycerine Filled

LOW COST  
4 INCH GAGE

- Stainless Steel Case & Bezel
- Phosphor Bronze Bourdon Tube
- Up to 15,000 PSI Range
- Dual Scale PSI & Bar (KPA referenced)
- Accuracy  $\pm 2\%$  FSD
- Temperature Range  $-40^{\circ}$  to  $180^{\circ}$  F
- Bronze connection
- Stem, Center Back & Panel Clamp
- 2.5" bourdon tube
- 1/4" NPT Only



### INSTALLATION DATA



### Ordering Example: PDLC - 2 P - 070 - A

Model	Size	Type	Range	Style
Designation for low cost 4 inch gages	2 - 4" dia.	P - pressure	001 - 15 psi 002 - 30 psi 004 - 60 psi 007 - 100 psi 010 - 160 psi 015 - 200 psi 020 - 300 psi 040 - 600 psi 070 - 1000 psi	A - stem B - panel clamp D - ctr. back

**All Connections  
1/4" NPT**



# DYNAMIC

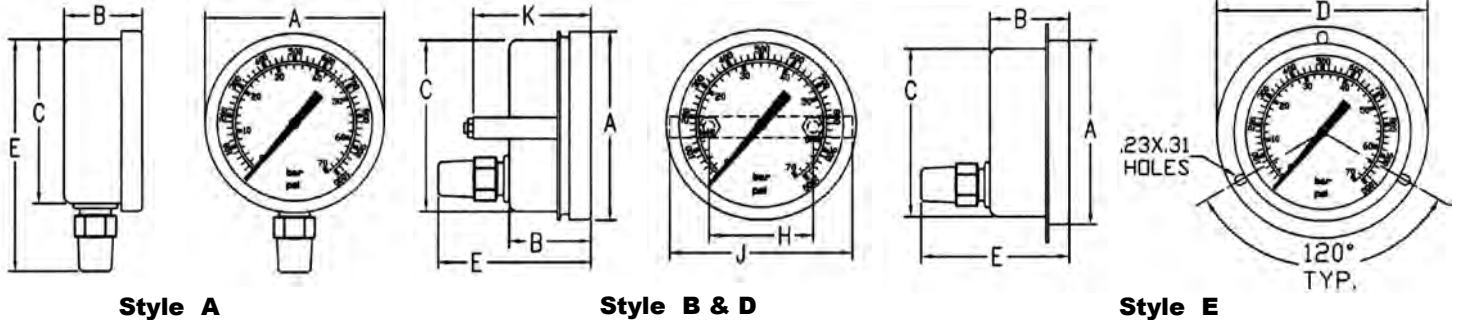
FLUID COMPONENTS, INC.

## CF Series 4 Inch Glycerine Filled

- Stainless Steel Case & Bezel
- Phosphor Bronze Bourdon Tube
- Vacuum to 15,000 PSI Range
- Dual Scale PSI & Bar
- Accuracy  $\pm 1.6\%$  FSD
- Temperature Range  $-40^{\circ}$  to  $180^{\circ}$  F
- Bronze connection
- Stem, Lower Back Panel Mount & Front Flange
- Built in Relief Valve & Snubber



### INSTALLATION DATA



Size	A	B	C	D	E	H	J	K
4 inch	4.41	1.99	3.98	5.12	3.39	2.76	4.41	2.46

NOTE:  $\frac{1}{4}$  NPT is standard for 0/600 psi range and below  
 $\frac{1}{2}$  NPT is standard for 1000 psi range and above

### Ordering Example: **CF - 2 P - 070 - A**

Model	Size	Type	Range	Style
Designation for 4 inch liquid filled gages	2 - 4" dia.	C - compound V - vacuum P - pressure	002 - 30" Hg -30psi 000 - 30" Hg - 0psi 001 - 15 psi 002 - 30 psi 004 - 60 psi 007 - 100 psi 010 - 160 psi 015 - 200 psi 020 - 300 psi 040 - 600 psi	A - stem B - panel clamp D - lower back E - panel flange
			070 - 1000 psi 100 - 1500 psi 140 - 2000 psi 210 - 3000 psi 280 - 4000 psi 350 - 5000 psi 420 - 6000 psi 700 - 10,000 psi 800 - 15,000 psi	



FLUID COMPONENTS, INC.

# PDSS Series

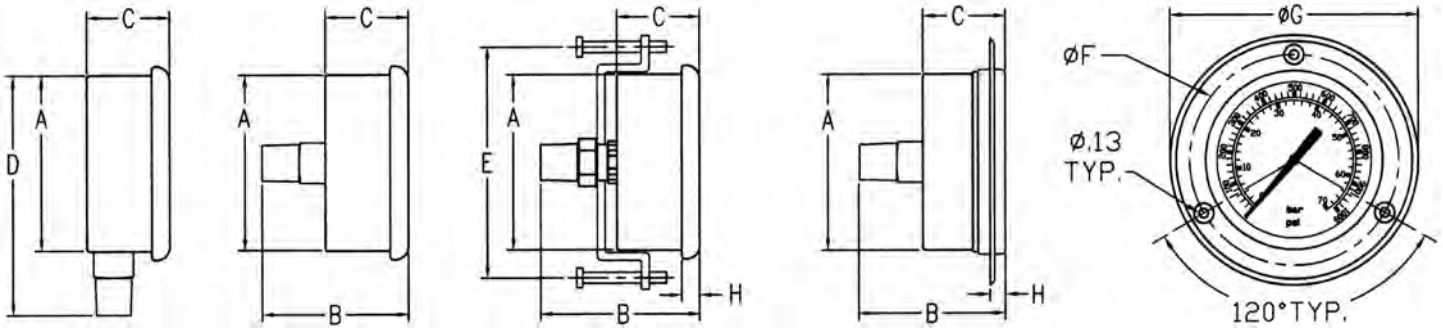
## 2 & 2 1/2" Stainless Steel

### Liquid Filled & Dry



- 304 SS Case
- 316 SS Connection
- 316 SS Bourdon Tube
- Vacuum to 10,000 psi
- Dual Scale PSI & KPA
- Accuracy  $\pm 1.6\%$
- Ambient Temperature -13° F to 150° F
- Process Temperature max. + 750° F
- Liquid Filled & Dry

#### INSTALLATION DATA



Size	A	B	C	D	E	F	G	H
2 inch	2.00	2.25	1.16	3.09	2.36	2.51	2.87	.21
2 1/2 inch	2.44	2.25	1.14	3.42	3.17	2.93	3.43	.24

Ordering Example: **PDSS - 1 P - 010 - A - 002**

<p><b>Model</b> Designation for all stainless steel gages</p>	<p><b>Size</b> 1 - 2 1/2 " 5 - 2"</p>	<p><b>Type</b> C - compound V - vacuum P - pressure</p>	<p><b>Range</b> 002 - 30" Hg -30psi 000 - 30" Hg - 0psi 001 - 15 psi 002 - 30 psi 004 - 60 psi 007 - 100 psi 010 - 160 psi 015 - 200 psi 020 - 300 psi 040 - 600 psi</p>	<p>070 - 1000 psi 100 - 1500 psi 140 - 2000 psi 210 - 3000 psi 280 - 4000 psi 350 - 5000 psi 420 - 6000 psi 700 - 10,000 psi</p>	<p><b>Style</b> A - stem B - panel clamp D - ctr. back E - panel flange</p>	<p><b>Options</b> 002 - Dry Omit if liquid filled</p>
---	---	---	--	--	---	---

# DYNAMIC

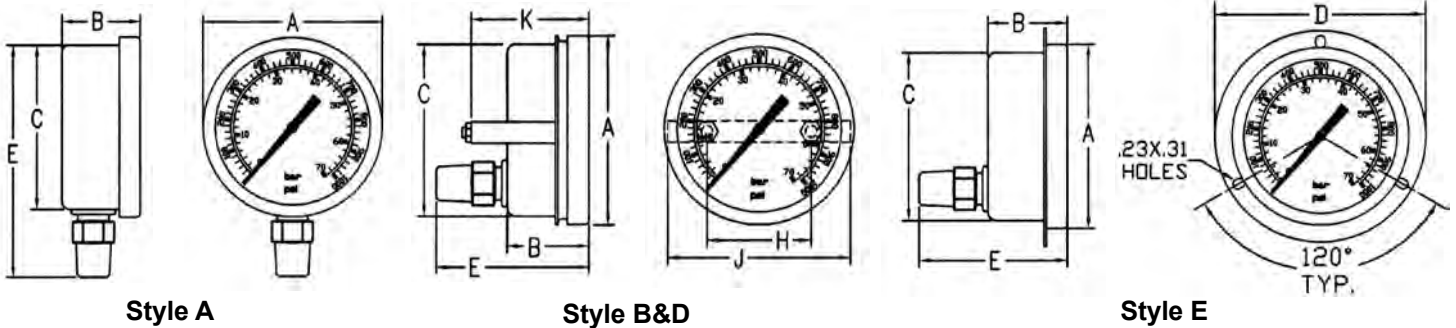
FLUID COMPONENTS, INC.

## PDSS Series 4 and 6" Stainless Steel Liquid Filled & Dry

- 304 SS Case
- 316 SS Connection
- 316 SS Bourdon Tube
- Vacuum to 30,000 psi
- Dual Scale PSI & KPA
- Accuracy  $\pm 1.0\%$
- Ambient Temperature  $-13^{\circ}\text{F}$  to  $150^{\circ}\text{F}$
- Process Temperature max.  $+750^{\circ}\text{F}$
- Liquid Filled & Dry



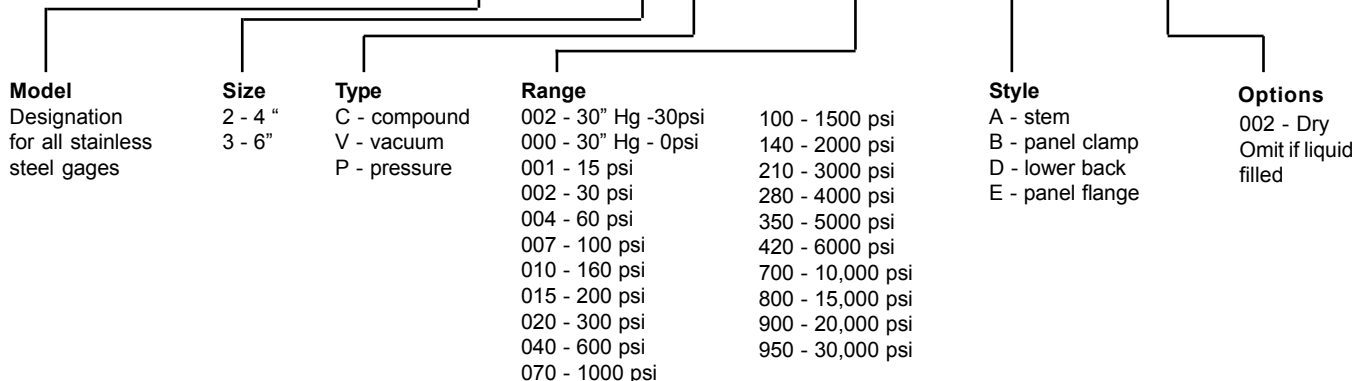
### Dimensions - 4 & 6" Dry Model Installations Shown



SIZE	A	B	C	D	E	H	J	K
4 inch	4.41	1.99	3.98	5.12	3.39	2.76	4.41	2.46
6 Inch	6.54	2.11	5.98	7.48	3.50	4.17	6.10	2.60

Note: 4" gages 600 psi and below are  $\frac{1}{4}$ " NPT. 1000 psi and above are  $\frac{1}{2}$ " NPT  
6" gages  $\frac{1}{2}$ " NPT standard

### Ordering Example: PDSS - 2 P - 010 - A - 002





FLUID COMPONENTS, INC.

# PDTG Test Gages

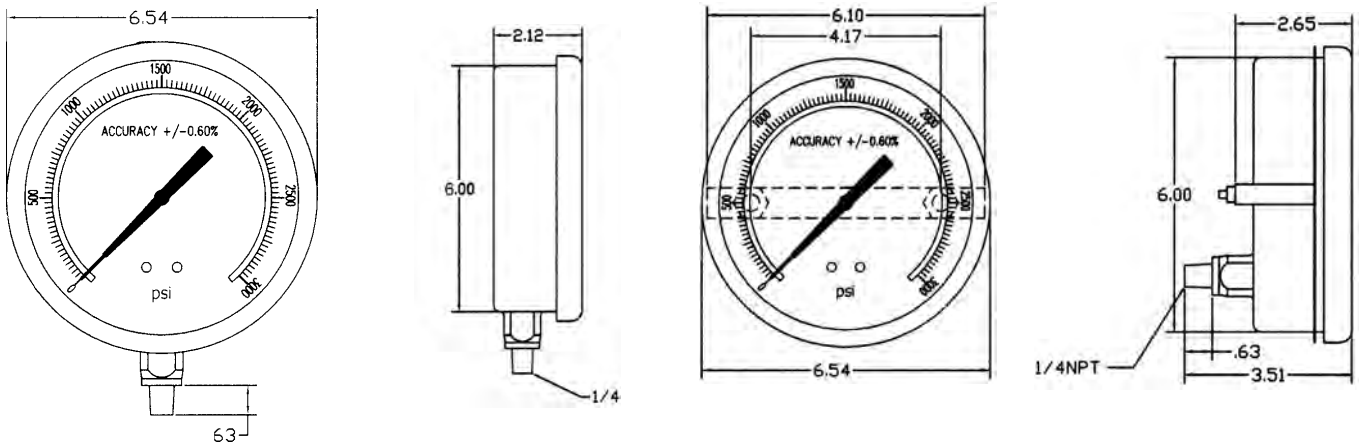
## 6" Dry

## Stem & Panel Mount

- Accuracy  $\pm 0.60$  FSV
- 304 SS Case
- SS Bourdon Tube
- Adjustable Pointer is Micrometer Knife Type
- Reinforced Movement is AISI 316
- Maximum Working Pressure 75% FSV
- Temperature Range 60°F to 150°F
- 6" Size
- Mirrored Dial



### INSTALLATION DATA



Ordering Example: **PDTG - 3 P - 010 - A - 01**

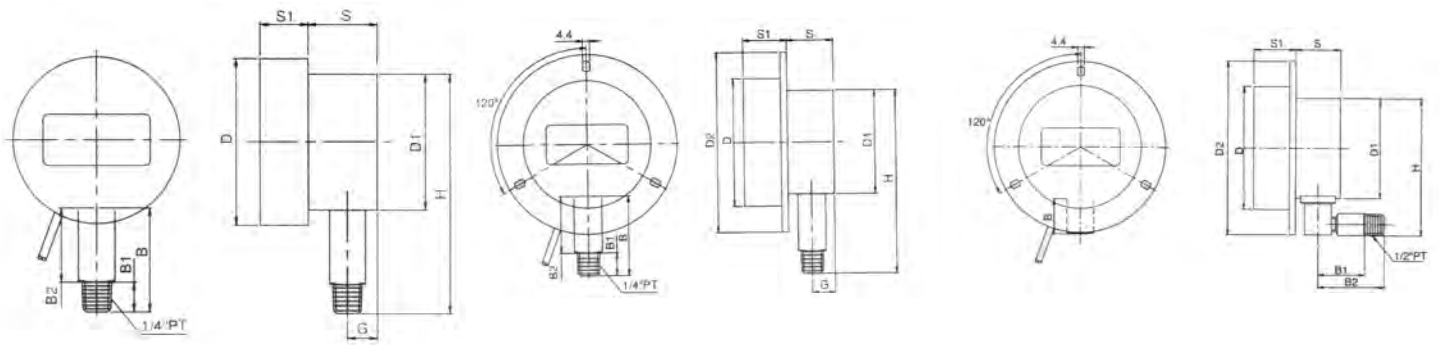
Model	Size	Type	Range	Style	Options	
Designation for PDTG test gage	3 - 6 inch	C - Compound V - Vacuum P - Pressure	002 - 30" Hg -30psi 000 - 30" Hg - 0psi 001 - 15 psi 002 - 30 psi 004 - 60 psi 007 - 100 psi 010 - 160 psi 015 - 200 psi 020 - 300 psi 040 - 600 psi	070 - 1000 psi 100 - 1500 psi 140 - 2000 psi 210 - 3000 psi 280 - 4000 psi 420 - 6000 psi 700 - 10,000 psi 800 - 15,000 psi 900 - 20,000 psi	A - Stem B - Panel Mount (special order only)	01 - Shatterproof lens 02 - 1/4 NPT connection

1/4 NPT connection is standard  
Certificate of Calibration Available

## DPG SERIES

### Digital Pressure Gage

- Accuracy  $\pm 1.0\%$  FSV
- Ranges from Vacuum to 15,000 PSI
- Positive Pressures, PSI, BAR, kg/cm<sup>2</sup>, Mpa, and kPA
- Negative pressures Inches/Hg, cm/Hg, mm/Hg, Bar
- 5 1/2 Digit Blue /Green Backlite LCD
- High Pressure Capture
- Recalibratable
- ZeroOffset



MODEL	D	D1	D2	B	B1	B2	S	S1	G	H
DPG-A	3.07	2.5	-	1.92	.55	1.37	1.27	.89	.55	4.42
DPG-F	3.07	2.5	4.33	1.92	.55	1.37	1.27	.89	.55	4.42
DPG-D	3.07	2.5	4.33	.87	1.16	1.65	1.14	1.05	.55	4.42

### Ordering Example:

**DPG - 1 - P - 010 - A - P**

**Model**  
DPG  
Digital  
Pressure  
Gage

**Size**  
1 - 2 1/2" dia.

**Type**  
P - Pressure  
V - Vacuum

**Range**

000 - 30"Hg	070 - 1000 psi
001 - 15 psi	100 - 1500 psi
002 - 30 psi	140 - 2000 psi
004 - 60 psi	210 - 3000 psi
007 - 100 psi	280 - 4000 psi
010 - 160 psi	350 - 5000 psi
015 - 200 psi	420 - 6000 psi
020 - 300 psi	700 - 10000 psi
040 - 600 psi	800 - 15000 psi

**Style**  
A - Stem  
F - Front Flange  
E - Panel Flange

**Readout  
Default**  
P - PSI  
B - BAR  
1 - "Hg

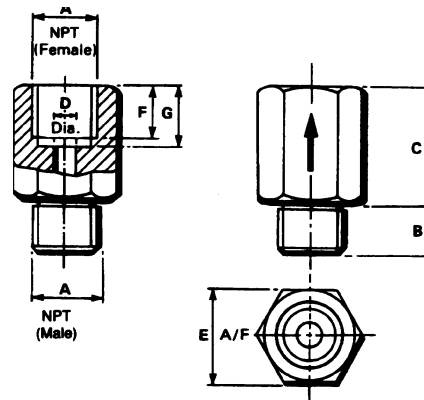
**NOTE: 120 Volt AC adapter included  
1/4 NPT male connection standard**

### Gage Snubbers, Steel

By fitting a snubber, a pressure gage is protected from harmful pressure surges and pulsations which would otherwise overload the gage mechanism

#### Model PDD-4

The ¼ NPT snubber has a helically formed oilway with a small orifice through which fluid must pass to reach the gage. This provides a high resistance to smooth out surges and pulses, yet allows rapid responses and steady gage readings.



---

### Gage Protectors

Dynamic recommends the use of our Buna N rubber housing gage protector. This saves damage to the gage should it be dropped or bumped.

**Order by Part Number: GP40N**



Section 2

**TEST POINT PLUGS AND PROBES**



**General Information**

The need for preventative maintenance of hydraulic systems in general has added to the use of test points throughout the system. This need is answered by the installation of a range of test points, plugs and probes, which can be connected under full system pressure to 6000 psi. Where the introduction of test points is needed, and the hydraulic system uses flexible hydraulic hoses, Dynamic has a range of Hydra-Test hose couplings fitted with test points. For full product data consult the following pages.

**Table of Contents**

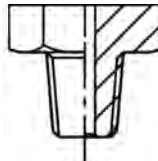
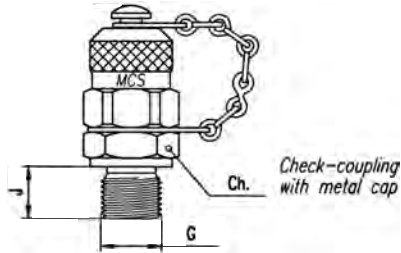
<b><u>Product</u></b>	<b><u>Page No.</u></b>
Series D1620 Interchangeable Test Points Plugs & Probes.....	16
Series FTP Test Point Plugs & Probes.....	17
Series DHA Remote Test Point Plug Hose Assemblies.....	18
Series HSP Hydra Test Hose Couplings.....	19
Diagnostic Test Kits.....	19



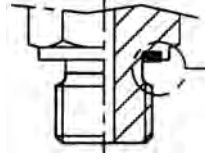
FLUID COMPONENTS, INC.

# D1620 Series Test Point Connectors M16 x 2.0

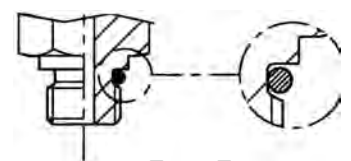
- Connects Under Full Pressure
- Rated up to 9000 PSI
- All Steel Construction
- Buna Seals are Standard



Form C



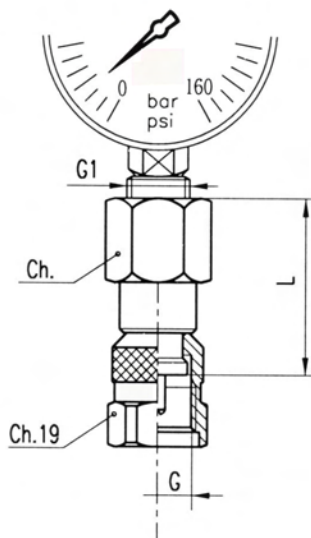
Form E



Form F

Model	Form	Maximum PSI	Ch.	J	G
D1620-01-18-NPT	C	5800	.67	.37	1/8" NPT
D1620-01-14-NPT	C	9000	.67	.55	1/4" NPT
D1620-01-04-SAE	F	9000	.67	.43	7/16-20 SAE
D1620-01-06-SAE	F	9000	.75	.47	9/16-18 SAE
D1612-01-08-SAE	F	9000	.87	.55	3/4-16 SAE
D1620-01-M10X1	F	9000	.67	.33	M10 X 1.0
D1620-01-M12X1.5	E	9000	.67	.47	M12 X 1.5
D1620-01-M14X1.5	E	9000	.75	.47	M14 X 1.5
D1620-01-M16X1.5	E	9000	.87	.47	M16 X 1.5
D1620-01-18-BSPP	E	5800	.67	.32	1/8" BSPP
D1620-01-14-BSPP	E	9000	.75	.47	1/4" BSPP
D1620-01-38-BSPP	E	9000	.87	.47	3/8" BSPP

\* For Viton Seals add a "-V" to the end of the part number



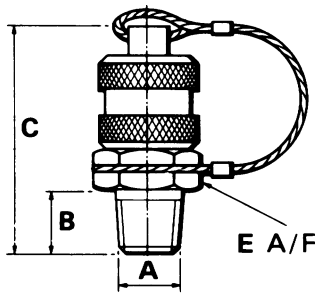
# DGA1620 Series Pressure Gage Adapter M16 x 2.0

Model	G	G1	Maximum PSI
DGA1620-01	M16 X 2.0	1/4 " NPT	9000

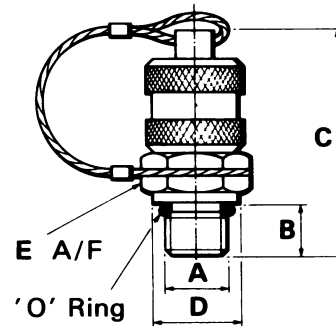


## FTP Series Test Point Connectors

- Dynamic Special Design
- Connects Under Full Pressure
- Rated at 6000 PSI
- All Steel Construction
- Buna Seals are Standard



Test Point Plugs (Standard Dynamic Model)

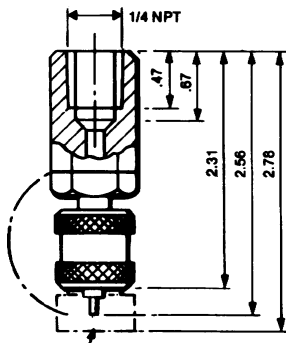


MODEL	A	B	C	D	E	Max. Torque In Lbs.	Weight Lbs.	Seal Kit	
	Thread	Inches	Inches	Inches	Inches			*Buna-N	*Viton
FTP02N	1/8 NPT	0.39	1.81	--	0.75	180	.15	SK115-N	SK115
FTP04N	1/4 NPT	.056	1.87	--	0.82	180	.17	SK115-N	SK115
FTP04S	7/16-20 SAE	.036	1.81	.71	0.75	180	.17	SK115-N	SK115

\*Special Order Only

## Test Point Probes

### Dynamic Standard Probe Model FPP04N



#### PROBES

Dynamic probes are designed to connect directly to the test point plug. When fitted with the desired pressure gage, the system pressure is released into the gage bourdon tube as the probe opens the test point valve. It can be connected or disconnected under pressure. This provides a precise means to monitor system pressure without turning the system off to test. See page 6 for 2½" pressure gage data.

For complete model with a liquid filled gage add the Model No. to the plug model number. i.e. FPP04N-CF1P-210A is a plug assembly fitted with 0/3000 psi stem gage.

# DYNAMIC

# Hydra-Test Hose Assemblies

FLUID COMPONENTS, INC.

The DHA series flexible hose series is available fitted with a pressure gage. The assembly is for use with Dynamic Test Plugs, Pipe Couplings and Standpipe adaptors. Together they facilitate pressure readings on a random basis throughout a hydraulic system. Probes may be connected or disconnected with the system at full working pressure without loss of oil or ingress of dirt. Use of Hydra-Test saves the installation of multiple pipework and gages.

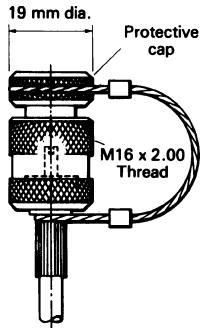
## Hydra-Test End Fittings

•Optional End Fittings

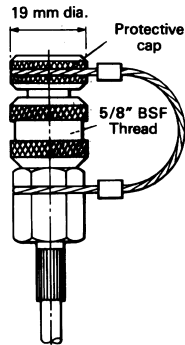
•Up to 6000 PSI Working Pressure

•Choice of Hose Lengths

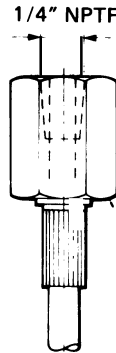
•Steel Components Passivated



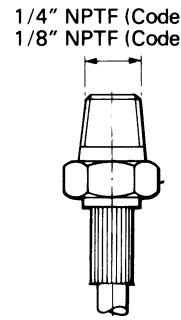
Code HSP



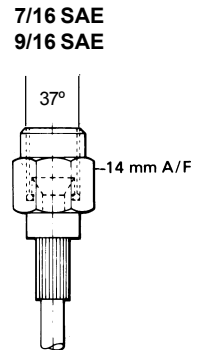
Code FTP



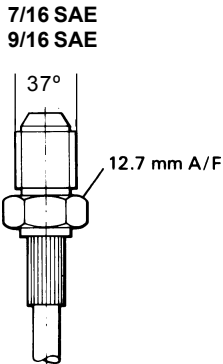
Code 4F



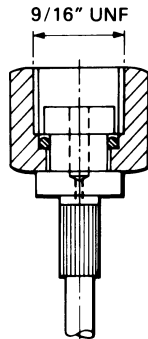
Code 4M  
Code 2M



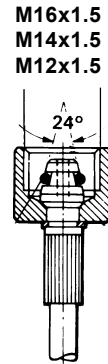
Code 7/16F  
Code 9/16F



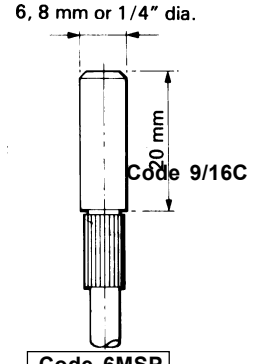
Code 7/16M  
Code 9/16M



Code 9/16M



Code M16  
Code M14  
Code M12



Code 6MSP  
Code 8MSP  
Code 4NSP

## ORDERING EXAMPLE:

**DHA** - **FTP** - **12** - **4F**

Designation for Dynamic Hose Assembly

End Fitting see codes on next page

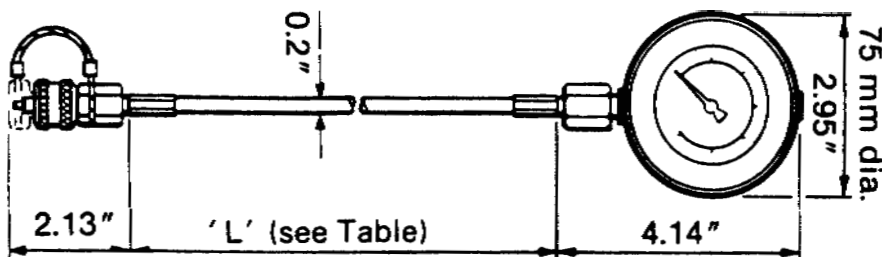
Hose Length in inches see Table 1

End Fitting see codes on next page

Table 1

Hose Lengths (IN)
12
24
36
48
60
72

Please specify in inches if other lengths are required



If you require a gage assembled to the hose assembly, please add the gage number to the end of the part number.

## Hydra-Test J.I.C. Hose Couplings

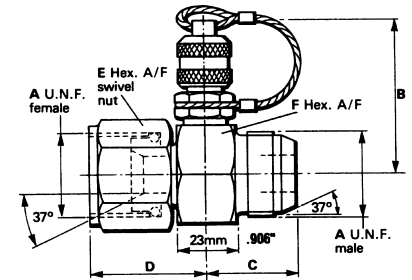
- 6,000 PSI Working Pressure
- Fitted with Hydra-Test Point Plug
- Can be Used With Direct or Remote Test Probes
- For J.I.C. 37° Hose Sizes: 7/16" - 1.7/8" UNF
- Can be Connected and Disconnected at Full System Pressure

Install Hydra-Test J.I.C. Hose Couplings between the female swivel nut of the flexible hose and the fixed male connection. The integral Test Point may be used with Dynamic Test Probes or Test Kits to obtain random pressure and temperature checks during servicing or fault finding. The Fluid Sampling Probe is also compatible.

All probes may be connected and disconnected at full system pressure without fluid loss or ingress of dirt.



Model No.	A		B		C		D		E		F		Weight		Seal Kit	
	U.N.F.	IN	MM	IN	MM	IN	MM	IN	MM	IN	MM	LBS	Kg	*Nitrile	*Viton	
HSP1040-4	7/16"-20	2.01	51.18	1.00	25.40	1.22	30.95	.56	14.28	1.12	28.57	.29	.13	SK114N	SK114V	
HSP1040-5	1/2"-20	2.01	51.18	1.00	25.50	1.30	33.13	.62	15.87	1.12	28.57	.31	.14			
HSP1040-6	9/16"-18	2.01	51.18	1.01	25.70	1.36	33.91	.69	17.46	1.12	28.57	.33	.15			
HSP1040-8	3/4"-16	2.01	51.18	1.11	28.30	1.33	33.73	.87	22.22	1.12	28.57	.35	.16			
HSP1040-10	7/8"-14	2.14	54.36	1.23	31.30	1.51	38.45	1.00	25.40	1.37	34.92	.55	.25			
HSP1040-12	1 1/16"-12	2.14	54.36	1.31	33.30	1.64	41.59	1.25	31.75	1.37	34.92	.66	.30			
HSP1040-16	1 5/16"-12	2.30	58.33	1.36	34.60	1.72	43.73	1.50	38.10	1.69	42.86	.95	.43			
HSP1040-20	1 5/8"-12	2.61	66.33	0.96	24.30	1.77	45.00	2.05	52.00	2.00	50.80	1.71	.78			
HSP1040-24	1 7/8"-12	2.98	75.87	1.08	27.50	1.89	48.00	2.20	56.00	2.22	56.34	1.98	.90			



\*Special Order Only

## Diagnostic Test Kits

Dynamic offers custom diagnostic pressure test kits which offer rapid pressure testing on Mobile and Industrial machinery. A wide selection of Test Points, Gages, Hose and hose couplings are available. Consult factory for your specific requirements.



## Section 3

### **HYDRAULIC VALVES**



#### General Information

A range of new products have been added and inventoried for immediate delivery from our South Carolina and California warehouse. The new products include High and Low Pressure Ball Valves ¼ thru 2 inch port sizes. Also included is our Hard and Soft Seat Check Valves.

#### **Table of Contents**

	<u>Product</u>	<u>Page No.</u>
	Series GE2/GB2 High Pressure Ball Valves .....	21
	Series GE3/GB3 High Pressure Ball Valves.....	22
NEW	Series GES/GBS High Pressure Ball Valves .....	23
NEW	Series GEF/GBF High Pressure Ball Valves.....	24
NEW	Series GE3K/GB3K-G3K/G4K High Pressure Ball Valves.....	25-26
NEW	Series GV2/GV3 High Pressure Ball Valves .....	27
NEW	Series GPK2/GPK3 High Pressure Ball Valves .....	28
NEW	Series GMS Stainless Steel High Pressure Ball Valves.....	29
NEW	Series GNS Stainless Steel High Pressure Ball Valves .....	30
	Series DBV2 Low Pressure Ball Valves .....	31
	Ball Valve Locking Handles .....	32
	Series HSP & VU Check Valves .....	33
	Flow Control and Needle Valves .....	34-38

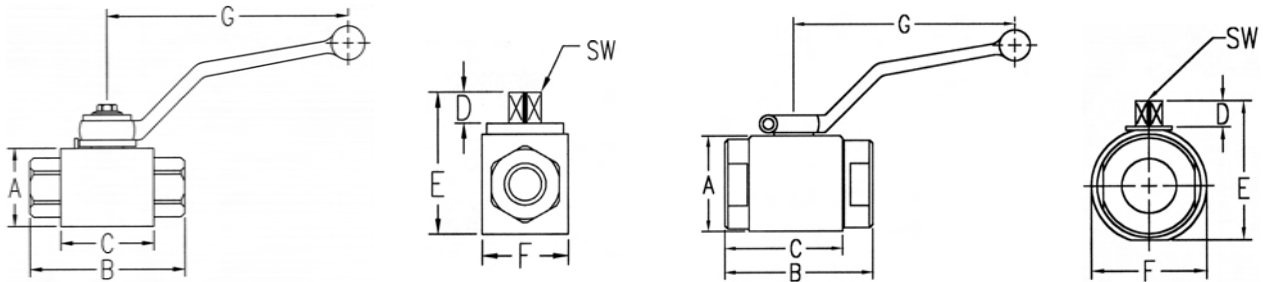


FLUID COMPONENTS, INC.

# GE2/GB2 SERIES

## 2 Way High Pressure Ball Valves

- Rugged Carbon Steel Construction
- Zinc Chromate Plated
- 1/4" - 2" NPT Sizes and SAE
- Up to 7250 PSI
- Blow-Out Proof Stems
- Various Seal Materials Available
- Full and Reduced Port



### NPT PORT

	Part Number	Thread	Pressure	Port	A	B	C	D	E	F	G	SW
Full Port	GE2-18-NPT	1/8 NPT	7250	0.16	1.38	2.79	1.65	.43	1.93	1.18	4.33	.35
	GE2-14-NPT	1/4 NPT	7250	0.24	1.38	2.79	1.65	.43	1.93	1.18	4.33	.35
	GE2-38-NPT	3/8 NPT	7250	0.39	1.57	2.87	1.73	.43	2.12	1.38	4.33	.35
	GE2-12-NPT	1/2 NPT	7250	0.51	1.69	3.27	1.89	.43	2.24	1.45	4.33	.35
	GE2-34-NPT	3/4 NPT	5800	0.79	2.17	3.74	2.44	.51	2.87	1.77	7.08	.55
	GE2-1-NPT	1 NPT	5000	0.98	2.56	4.45	2.60	.51	3.26	2.16	7.08	.55
Reduced	GE2-114R-NPT	1 1/4 NPT	5000	0.98	2.56	4.76	2.60	.51	3.26	2.16	7.08	.55
	GE2-112R-NPT	1 1/2 NPT	5000	0.98	2.56	4.88	2.60	.51	3.26	2.16	7.08	.55
Full Port	GB2-114-NPT	1 1/4 NPT	5000	1.26	3.25	4.53	3.74	.53	3.97	3.46	11.81	.55
	GB2-112-NPT	1 1/2 NPT	5000	1.57	3.86	5.15	4.25	.53	4.52	4.01	11.81	.55
	GB2-2-NPT	2 NPT	5000	1.97	4.05	5.51	4.72	.53	4.72	4.29	11.81	.55

### SAE PORT

	Part Number	Thread	Pressure	Port	A	B	C	D	E	F	G	SW
Full Port	GE2-04-SAE	7/16-20	7250	0.24	1.38	2.79	1.65	.43	1.93	1.18	4.33	.35
	GE2-06-SAE	9/16-18	7250	0.39	1.57	2.87	1.73	.43	2.12	1.38	4.33	.35
	GE2-08-SAE	3/4-16	7250	0.51	1.69	3.27	1.89	.43	2.24	1.45	4.33	.35
	GE2-12-SAE	1 1/16-12	5800	0.79	2.17	3.74	2.44	.51	2.87	1.77	7.08	.55
	GE2-16-SAE	1 5/16-12	5000	0.98	2.56	4.45	2.60	.51	3.26	2.16	7.08	.55
Reduced	GE2-20-SAE	1 5/8-12	5000	0.98	2.56	4.76	2.60	.51	3.26	2.16	7.08	.55
	GE2-24-SAE	1 7/8-12	5000	0.98	2.56	4.88	2.60	.51	3.26	2.16	7.08	.55
Full Port	GB2-20-SAE	1 5/8-12	5000	1.26	3.25	4.53	3.74	.53	3.97	3.46	11.81	.55
	GB2-24-SAE	1 7/8-12	5000	1.57	3.86	5.15	4.25	.53	4.52	4.01	11.81	.55
	GB2-32-SAE	2 1/2-12	5000	1.97	4.05	5.51	4.72	.53	4.72	4.29	11.81	.55

ALL DIMENSIONS IN INCHES. SPECIAL SEALS AVAILABLE, CONTACT FACTORY.

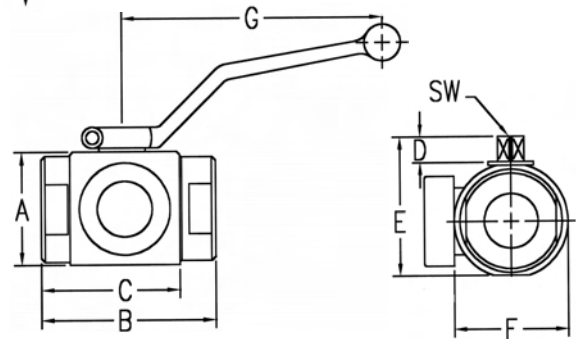
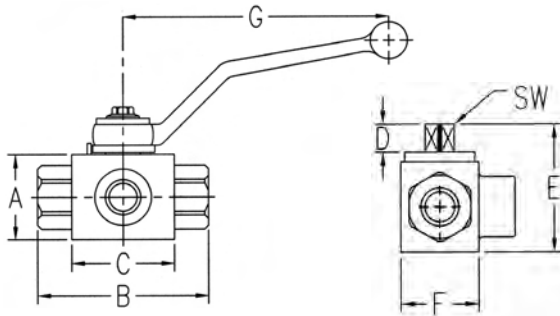
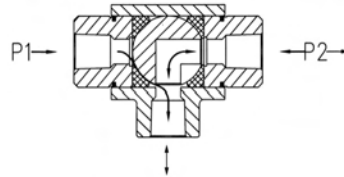


FLUID COMPONENTS, INC.

# GE3/GB3 SERIES 3 - Way Diverter High Pressure Ball Valves



- Rugged Carbon Steel Construction
- 1/4" - 2" Sizes
- Up to 5800 PSI
- Blow-Out Proof Stems
- Full and Reduced Port
- NPT and SAE Threads Available



	Part Number	Thread	Pressure	Port	A	B	C	D	E	F	G	SW
Full Port	GE3L-14-NPT	14 NPT	5800	0.24	1.38	2.79	1.65	.43	1.93	1.18	4.33	.35
	GE3L-38-NPT	3/8 NPT	5800	0.39	1.57	2.87	1.73	.43	2.12	1.38	4.33	.35
	GE3L-12-NPT	1/2 NPT	5800	0.51	1.69	3.27	1.89	.43	2.24	1.45	4.33	.35
	GE3L-34-NPT	3/4 NPT	5000	0.79	2.17	3.74	2.44	.51	2.87	1.77	7.08	.55
	GE3L-1-NPT	1 NPT	5000	0.98	2.56	4.45	2.60	.51	3.26	2.16	7.08	.55
Reduced	GE3L-114R-NPT	1 1/4 NPT	5000	0.98	2.56	4.76	2.60	.51	3.26	2.16	7.08	.55
	GE3L-112R-NPT	1 1/2 NPT	5000	0.98	2.56	4.88	2.60	.51	3.26	2.16	7.08	.55
Full Port	GB3L-114-NPT	1 1/4 NPT	5000	1.26	3.31	4.53	3.74	.53	3.97	3.46	11.81	.55
	GB3L-112-NPT	1 1/2 NPT	5000	1.57	3.86	5.15	4.25	.53	4.52	4.01	11.81	.55
	GB3L-2-NPT	2 NPT	5000	1.97	4.05	5.51	4.52	.53	4.72	4.29	11.81	.55

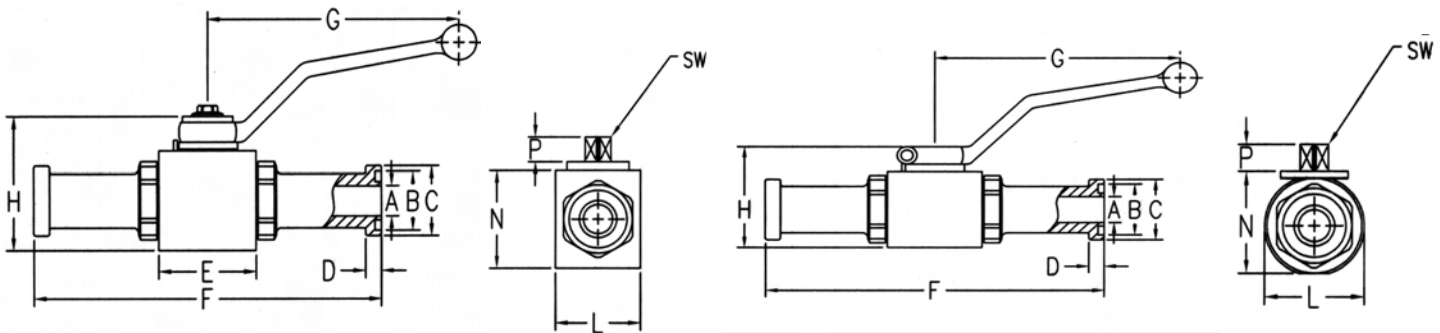
	Part Number	Thread	Pressure	Port	A	B	C	D	E	F	G	SW
Full Port	GE3L-04-SAE	7/16-20	5800	0.24	1.38	2.79	1.65	.43	1.93	1.18	4.33	.35
	GE3L-06-SAE	9/16-18	5800	0.39	1.57	2.87	1.73	.43	2.12	1.38	4.33	.35
	GE3L-08-SAE	3/4-16	5800	0.51	1.69	3.27	1.89	.43	2.24	1.45	4.33	.35
	GE3L-12-SAE	1 1/16-12	5000	0.79	2.17	3.74	2.44	.51	2.87	1.77	7.08	.55
	GE3L-16-SAE	1 5/16-12	5000	0.98	2.56	4.45	2.60	.51	3.26	2.16	7.08	.55
Reduced	GE3L-20-SAE	1 5/8-12	5000	0.98	2.56	4.76	2.60	.51	3.26	2.16	7.08	.55
	GE3L-24-SAE	1 7/8-12	5000	0.98	2.56	4.88	2.60	.51	3.26	2.16	7.08	.55
Full Port	GB3L-20-SAE	1 5/8-12	5000	1.26	3.31	4.53	3.74	.53	3.97	3.46	11.81	.55
	GB3L-24-SAE	1 7/8-12	5000	1.57	3.86	5.15	4.25	.53	4.52	4.01	11.81	.55
	GB3L-32-SAE	2 1/2-12	5000	1.97	4.05	5.51	4.52	.53	4.72	4.29	11.81	.55

**NOTE: NO PRESSURE TO BE APPLIED TO CLOSED PORT, IF REQUIRED SEE MODEL GE3K PAGE 25**  
**"L" PORT STANDARD, "T" PORT AVAILABLE. MINIMUM QTY. MAY APPLY ALL DIMENSIONS IN INCHES.**  
**SPECIAL SEALS AVAILABLE, CONTACT FACTORY.**

## GES/GBS SERIES 2-Way High Pressure Ball Valves Code 61/62 Split Flange

**NEW**

- Rugged Carbon Steel Construction
- SAE Split Flange
- 1/2" - 2" Sizes
- Code 61 (3000 PSI)
- Code 62 (6000 PSI)



Part Number	Size	Pressure	A	B	C	D	E	F	G	H	L	N	P	Sw
GES3-13-SAE	1/2	3000	.50	1.00	1.19	.27	1.89	5.94	4.33	2.24	1.46	1.69	.43	.35
GES3-20-SAE	3/4	3000	.75	1.25	1.50	.27	2.44	6.38	7.08	2.87	1.77	2.16	.51	.55
GES3-25-SAE	1	3000	.98	1.57	1.75	.32	2.60	7.00	7.08	3.27	2.16	2.56	.51	.55
GBS3-32-SAE	1 1/4	3000	1.25	1.75	2.00	.32	X	7.52	11.81	3.98	3.31	3.31	.53	.55
GBS3-40-SAE	1 1/2	3000	1.57	2.13	2.37	.32	X	9.09	11.81	4.53	4.01	3.86	.53	.55
GBS3-50-SAE	2	3000	1.96	2.50	2.81	.38	X	9.13	11.81	4.72	4.25	4.05	.53	.55

Part Number	Size	Pressure	A	B	C	D	E	F	G	H	L	N	P	Sw
GES6-13-SAE	1/2	6000	.50	1.00	1.25	.31	1.89	5.94	4.33	2.24	1.46	1.69	.43	.35
GES6-20-SAE	3/4	6000	.75	1.25	1.62	.35	2.44	6.85	7.08	2.87	1.77	2.16	.51	.55
GES6-25-SAE	1	6000	.98	1.57	1.87	.38	2.60	7.80	7.08	3.27	2.16	2.56	.51	.55
GBS6-32-SAE	1 1/4	6000	1.06	1.75	2.12	.41	X	8.78	11.81	3.98	3.31	3.31	.53	.55
GBS6-40-SAE	1 1/2	6000	1.26	2.13	2.50	.50	X	11.02	11.81	4.53	4.01	3.86	.53	.55
GBS6-50-SAE	2	6000	1.77	2.50	3.12	.50	X	12.44	11.81	4.72	4.25	4.05	.53	.55

ALL DIMENSIONS IN INCHES. SPECIAL SEALS AVAILABLE, CONTACT FACTORY.



FLUID COMPONENTS, INC.

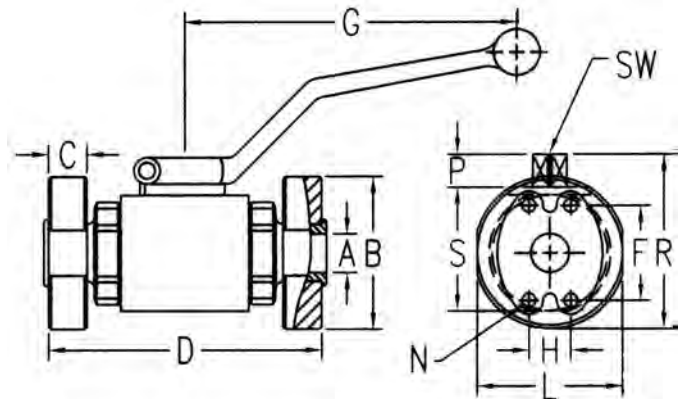
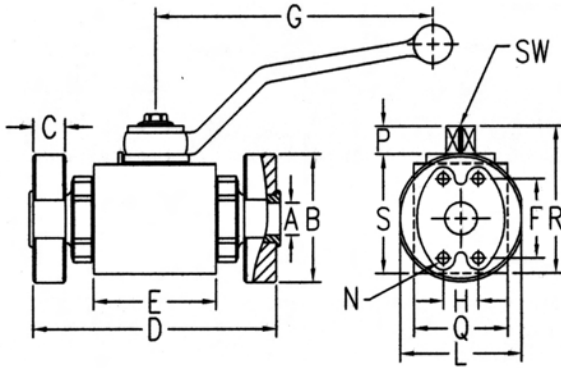
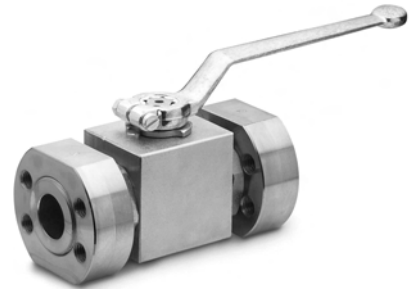
# GEF/GBF SERIES

## 2-Way High Pressure Ball Valves

### Code 61/62 Full Flange

**NEW**

- Rugged Carbon Steel Construction
- SAE Full Flange
- 1/2" - 2" Sizes
- Code 61 (3000 PSI)
- Code 62 (6000 PSI)



Part Number	Size	Pressure	A	B	C	D	E	F	G	H	L	N	P	S	R	Q	Sw
GEF3-13-SAE	1/2	3000	.50	2.2	.86	4.72	1.89	1.50	4.33	.69	1.89	M8	.43	1.69	2.24	1.45	.35
GEF3-20-SAE	3/4	3000	.79	2.83	.90	5.35	2.44	1.87	7.08	.87	2.36	M10	.51	2.16	2.87	1.77	.55
GEF3-25-SAE	1	3000	.98	3.19	1.06	5.82	2.60	2.06	7.08	1.03	2.75	M10	.51	2.56	3.26	2.16	.55
GBF3-32-SAE	1 1/4	3000	1.25	4.13	1.25	6.77	x	2.31	11.81	1.19	3.07	M12	.53	3.31	3.98	x	.55
GBF3-40-SAE	1 1/2	3000	1.57	4.72	1.25	6.96	x	2.74	11.81	1.40	3.78	M12	.53	3.86	4.53	x	.55
GBF3-50-SAE	2	3000	1.96	5.70	1.33	7.72	x	3.06	11.81	1.69	4.49	M12	.53	4.05	4.72	x	.55

Part Number	Size	Pressure	A	B	C	D	E	F	G	H	L	N	P	S	R	Q	Sw
GEF6-13-SAE	1/2	6000	.50	2.2	.86	4.72	1.89	1.59	4.33	.72	1.89	M8	.43	1.69	2.24	1.45	.35
GEF6-20-SAE	3/4	6000	.79	2.83	.90	5.35	2.44	2.00	7.08	.94	2.36	M10	.51	2.16	2.87	1.77	.55
GEF6-25-SAE	1	6000	.98	3.19	1.06	5.82	2.60	2.25	7.08	1.09	2.75	M12	.51	2.56	3.26	2.16	.55
GBF6-32-SAE	1 1/4	6000	1.25	4.13	1.25	6.77	x	2.62	11.81	1.25	3.07	M14	.53	3.31	3.98	x	.55
GBF6-40-SAE	1 1/2	6000	1.57	4.72	1.25	6.96	x	3.12	11.81	1.43	3.78	M16	.53	3.86	4.53	x	.55
GBF6-50-SAE	2	6000	1.96	5.70	1.33	7.72	x	3.81	11.81	1.75	4.49	M20	.53	4.05	4.72	x	.55

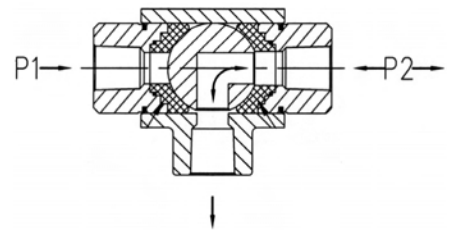
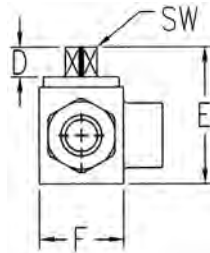
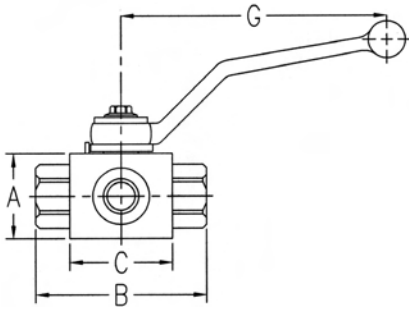
ALL DIMENSIONS IN INCHES. SPECIAL SEALS AVAILABLE, CONTACT FACTORY.



## GE3K/GB3K SERIES High Pressure Ball Valves 3 - Way

**NEW**

- Rugged Carbon Steel Construction
- 1/4" - 2" Sizes
- Up to 5800 PSI
- Blow-Out Proof Stems
- Full and Reduced Port
- NPT and SAE Threads Available



	Part Number	Thread	Pressure	Port	A	B	C	D	E	F	G	SW
<b>Full Port</b>	GE3KL-14-NPT	14 NPT	5800	0.24	1.38	2.79	1.65	.43	1.93	1.18	4.33	.35
	GE3KL-38-NPT	3/8 NPT	5800	0.39	1.57	2.87	1.73	.43	2.12	1.38	4.33	.35
	GE3KL-12-NPT	1/2 NPT	5800	0.51	1.69	3.27	1.89	.43	2.24	1.45	4.33	.35
	GE3KL-34-NPT	3/4 NPT	5000	0.79	2.17	3.74	2.44	.51	2.87	1.77	7.08	.55
	GE3KL-1-NPT	1 NPT	5000	0.98	2.56	4.45	2.60	.51	3.26	2.16	7.08	.55
<b>Reduced</b>	GE3KL-114R-NPT	1 1/4 NPT	5000	0.98	2.56	4.76	2.60	.51	3.26	2.16	7.08	.55
	GE3KL-112R-NPT	1 1/2 NPT	5000	0.98	2.56	4.88	2.60	.51	3.26	2.16	7.08	.55

	Part Number	Thread	Pressure	Port	A	B	C	D	E	F	G	SW
<b>Full Port</b>	GE3KL-04-SAE	7/16-20	5800	0.24	1.38	2.79	1.65	.43	1.93	1.18	4.33	.35
	GE3KL-06-SAE	9/16-18	5800	0.39	1.57	2.87	1.73	.43	2.12	1.38	4.33	.35
	GE3KL-08-SAE	3/4-16	5800	0.51	1.69	3.27	1.89	.43	2.24	1.45	4.33	.35
	GE3KL-12-SAE	1 1/16-12	5000	0.79	2.17	3.74	2.44	.51	2.87	1.77	7.08	.55
	GE3KL-16-SAE	1 5/16-12	5000	0.98	2.56	4.45	2.60	.51	3.26	2.16	7.08	.55
<b>Reduced</b>	GE3KL-20-SAE	1 5/8-12	5000	0.98	2.56	4.76	2.60	.51	3.26	2.16	7.08	.55
	GE3KL-24-SAE	1 7/8-12	5000	0.98	2.56	4.88	2.60	.51	3.26	2.16	7.08	.55

“L” PORT STANDARD, “T” PORT AVAILABLE. MINIMUM QTY. MAY APPLY  
ALL DIMENSIONS IN INCHES SPECIAL SEALS AVAILABLE, CONTACT FACTORY



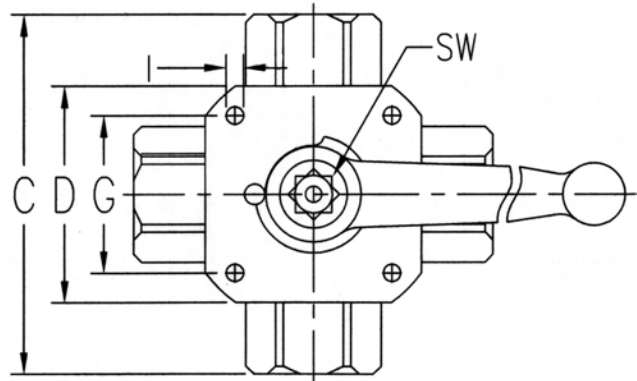
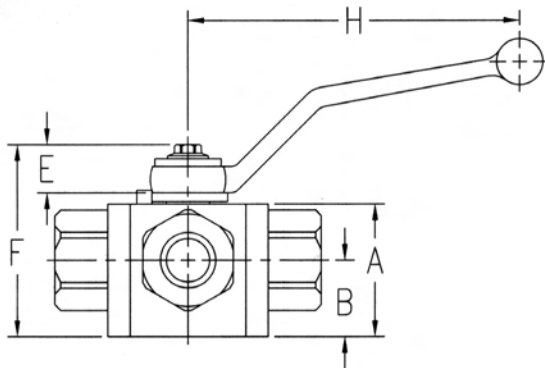
FLUID COMPONENTS, INC.

# G3K/G4K SERIES

## 3 & 4 Way High Pressure Ball Valves

**NEW**

- Rugged Carbon Steel Construction
- 1/4" - 1 1/2" Sizes
- Up to 5800 PSI
- Blow-Out Proof Stems
- Full and Reduced Port
- "L", "T", and "X" ports available



Part Number	SIZE	Pressure	A	B	C	D	E	F	G	H	I	SW
G3K-14-NPT-L(T)	1/4	7250	1.65	.90	3.94	2.72	.53	2.36	2.16	4.33	.25	.35
G3K-38-NPT-L(T)	3/8	7250	2.08	1.10	4.52	3.50	.53	2.72	2.56	4.33	.25	.35
G3K-12-NPT-L(T)	1/2	5800	2.44	1.30	6.30	3.90	.53	3.07	3.15	4.33	.33	.35
G3K-34-NPT-L(T)	3/4	5000	2.68	1.53	6.45	4.45	.53	3.50	3.35	11.81	.33	.55
G3K-1-NPT-L(T)	1	5000	3.22	1.85	7.24	4.64	.53	3.85	4.72	11.81	.33	.55
G3K-114-NPT-L(T)	1 1/4	5000	3.22	1.85	7.24	4.64	.53	3.85	4.72	11.81	.33	.55
G3K-112-NPT-L(T)	1 1/2	3625	3.22	1.85	7.24	4.64	.53	3.85	4.72	11.81	.33	.55

Part Number	Size	Pressure	A	B	C	D	E	F	G	H	I	SW
G4K-14-NPT-L(T,X)	1/4	7250	1.65	.90	3.94	2.72	.53	2.36	2.16	4.33	.25	.35
G4K-38-NPT-L(T,X)	3/8	7250	2.08	1.10	4.52	3.50	.53	2.72	2.56	4.33	.25	.35
G4K-12-NPT-L(T,X)	1/2	5800	2.44	1.30	6.30	3.90	.53	3.07	3.15	4.33	.33	.35
G4K-34-NPT-L(T,X)	3/4	5000	2.68	1.53	6.45	4.45	.53	3.50	3.35	11.81	.33	.55
G4K-1-NPT-L(T,X)	1	5000	3.22	1.85	7.24	4.64	.53	3.85	4.72	11.81	.33	.55
G4K-114-NPT-L(T,X)	1 1/4	5000	3.22	1.85	7.24	4.64	.53	3.85	4.72	11.81	.33	.55
G4K-112-NPT-L(T,X)	1 1/2	3625	3.22	1.85	7.24	4.64	.53	3.85	4.72	11.81	.33	.55

ALL DIMENSIONS IN INCHES. SPECIAL SEALS AVAILABLE, CONTACT FACTORY.



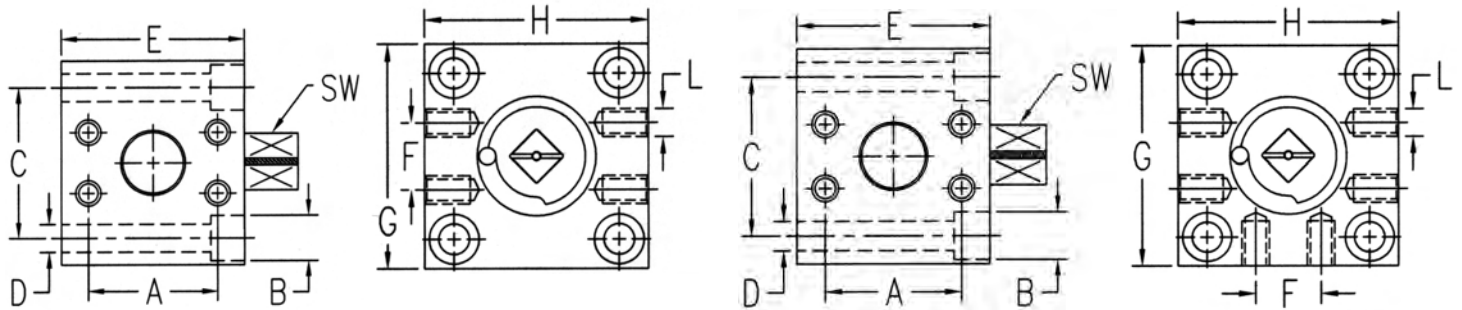
FLUID COMPONENTS, INC.

# GV2/GV3 Series

SAE 6000 PSI

**NEW**

- Rugged Carbon Steel Construction
- Up to 6000 PSI
- Blow-Out Proof Stems
- Code 62



Part Number	Pressure	A	B	C	D	E	F	G	H	L	SW
GV2-13-SAE	6000	1.59	.59	1.69	.35	2.20	.72	2.36	2.36	M8	.35
GV2-20-SAE	6000	2.00	.71	2.36	.43	2.83	.94	3.15	3.15	M10	.55
GV2-25-SAE	6000	2.25	.71	2.75	.43	3.18	1.09	3.70	3.70	M12	.55
GV2-32-SAE	6000	2.63	.79	2.99	.49	3.94	1.25	3.94	3.94	M14	.55
GV2-40-SAE	6000	3.12	.79	3.31	.49	4.33	1.44	4.33	4.33	M16	.55
GV2-50-SAE	6000	3.81	.79	4.25	.49	5.11	1.75	5.11	5.11	M20	.55

Part Number	Pressure	A	B	C	D	E	F	G	H	L	SW
GV3-13-SAE	6000	1.59	.59	1.69	.35	2.20	.72	2.36	2.36	M8	.35
GV3-20-SAE	6000	2.00	.71	2.36	.43	2.83	.94	3.15	3.15	M10	.55
GV3-25-SAE	6000	2.25	.71	2.75	.43	3.18	1.09	3.70	3.70	M12	.55
GV3-32-SAE	6000	2.63	.79	2.99	.49	3.94	1.25	3.94	3.94	M14	.55
GV3-40-SAE	6000	3.12	.79	3.31	.49	4.33	1.44	4.33	4.33	M16	.55
GV3-50-SAE	6000	3.81	.79	4.25	.49	5.11	1.75	5.11	5.11	M20	.55

ALL DIMENSIONS IN INCHES. SPECIAL SEALS AVAILABLE, CONTACT FACTORY.

# DYNAMIC

FLUID COMPONENTS, INC.

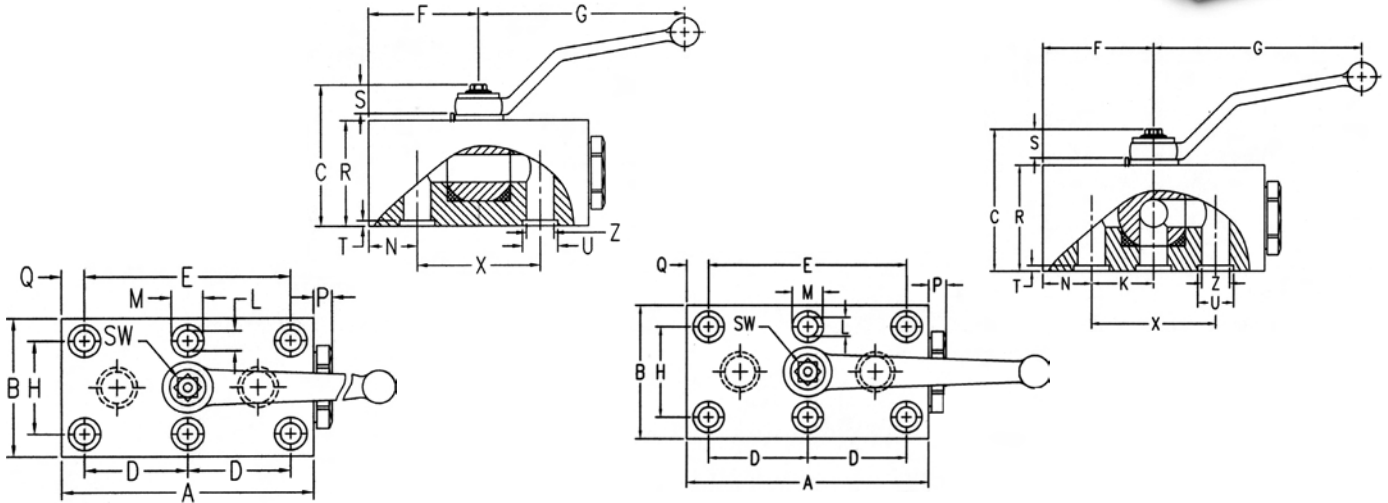
## GPK2/GPK3 SERIES

Carbon Steel

**NEW**



- Rugged Carbon Steel Construction
- 1/4" - 1 1/2" Sizes
- Up to 7250 PSI
- Blow-Out Proof Stems
- 2 & 3 Way
- Manifold mount



Part Number	Size	Pressure	A	B	C	D	E	F	G	H	K	L
GPK2(3)-06	1/4	7250	2.28	1.57	1.89	.68	1.37	1.06	4.33	1.06	.69	.25
GPK2(3)-10	3/8	7250	2.75	2.16	2.36	1.08	2.16	1.14	4.33	1.57	.75	.33
GPK2(3)-13	1/2	5800	3.94	2.36	2.75	1.63	3.27	1.69	4.33	1.77	1.04	.33
GPK2(3)-20	3/4	5000	4.64	2.75	3.46	1.91	3.82	2.05	7.08	2.01	1.22	.41
GPK2(3)-25	1	5000	5.31	3.15	3.85	2.26	4.53	2.44	7.08	2.36	1.50	.41
GPK2(3)-32	1 1/4	5000	6.49	3.94	4.84	2.67	5.35	2.95	11.81	3.07	1.81	.51
GPK2(3)-40	1 1/2	5000	7.28	5.12	5.23	2.20	4.41	3.38	11.81	3.74	2.20	.65

Part Number	M	N	P	Q	R	S	T	U	V	Z	X	SW
GPK2(3)-06	.41	.33	.27	.33	1.38	.43	.07	.46	.75	.27	1.38	.35
GPK2(3)-10	.53	.39	.39	.33	1.77	.43	.07	.59	.94	.38	1.73	.35
GPK2(3)-13	.53	.67	.39	.33	2.16	.43	.07	.98	1.33	.51	2.28	.35
GPK2(3)-20	.65	.79	.39	.39	2.75	.51	.08	1.14	1.49	.79	2.72	.55
GPK2(3)-25	.65	.98	.47	.39	3.15	.51	.09	1.37	1.77	.98	3.12	.55
GPK2(3)-32	.75	1.14	.59	.47	3.94	.51	.08	1.57	2.16	1.26	3.73	.55
GPK2(3)-40	.98	1.14	.67	1.14	4.33	.51	.09	1.88	2.28	1.46	4.41	.55

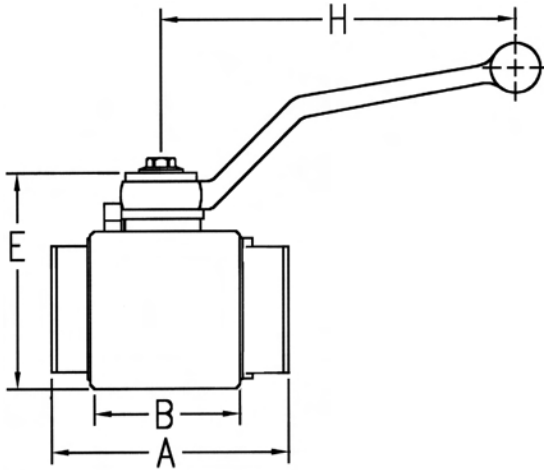
ALL DIMENSIONS IN INCHES. SPECIAL SEALS AVAILABLE, CONTACT FACTORY.

## GMS SERIES

### Stainless Steel

**NEW**

- 316 Stainless Steel Construction
- 1/4" - 2" NPT Sizes
- Up to 7250 PSI
- Blow-Out Proof Stems
- Various Seal Materials Available
- FullPort



Part Number	Pressure	Port	A	B	E	G	H	M
GMS-14-NPT	7250	.24	2.87	1.85	2.27	1.73	4.33	4.25
GMS-38-NPT	7250	.39	2.87	1.85	2.42	1.73	4.33	4.25
GMS-12-NPT	7250	.51	3.27	2.09	2.62	1.93	4.33	4.45
GMS-34-NPT	5800	.79	3.86	2.64	3.35	2.32	7.09	4.64
GMS-1-NPT	5000	.98	4.21	2.87	3.70	2.63	7.09	4.96
GMS-114-NPT	5000	1.26	5.04	3.31	4.31	3.31	7.09	5.63
GMS-112-NPT	5000	1.57	5.35	3.90	4.98	3.90	7.09	6.72
GMS-2-NPT	5000	1.97	6.13	4.09	5.37	4.05	7.09	6.38

ALL DIMENSIONS IN INCHES. SPECIAL SEALS AVAILABLE, CONTACT FACTORY.

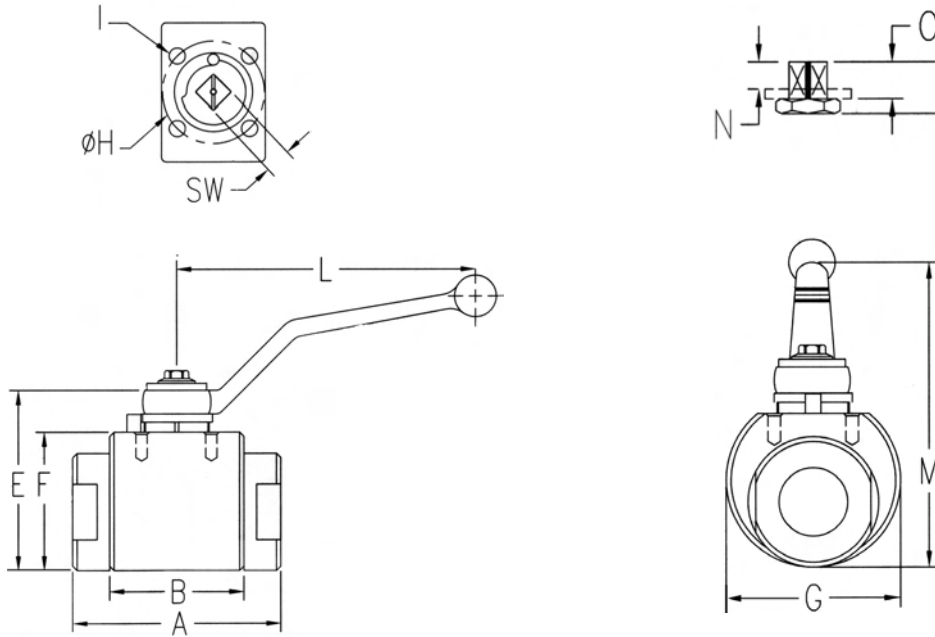
# DYNAMIC

FLUID COMPONENTS, INC.

## GNS SERIES STAINLESS STEEL

**NEW**

- 316 Stainless Steel Construction
- 1/4" - 2" NPT Sizes
- Up to 7250 PSI
- Blow-Out Proof Stems
- Mounting holes for actuator
- Various Seal Materials Available
- Full Port



Part Number	Pressure	Port	A	B	E	F	G	H	I	L	N	O	P	SW
GNS-14-NPT	7250	.24	2.87	1.73	2.27	1.64	2.07	1.42 (F03)	M5	4.33	.43	.55	.71	.35
GNS-38-NPT	7250	.39	2.87	1.73	2.42	1.79	2.07	1.42 (F03)	M5	4.33	.43	.55	.71	.35
GNS-12-NPT	7250	.51	3.27	1.93	2.62	1.99	2.24	1.42 (F03)	M5	4.33	.43	.55	.71	.35
GNS-34-NPT	5800	.79	3.86	2.44	3.35	2.46	2.79	1.97 (F05)	M6	7.09	.55	.71	.93	.55
GNS-1-NPT	5000	.98	4.21	2.60	3.70	2.81	3.27	1.97 (F05)	M6	7.09	.55	.71	.93	.55
GNS-114-NPT	5000	1.26	5.04	3.27	4.31	3.42	2.90	1.97 (F05)	M6	7.09	.55	.71	.93	.55
GNS-112-NPT	5000	1.57	5.35	3.50	4.98	4.09	4.49	2.75 (F07)	M8	7.09	.55	.71	.93	.55
GNS-2-NPT	5000	1.97	6.34	3.78	5.37	4.48	4.88	2.75 (F07)	M8	7.09	.55	.71	.93	.55

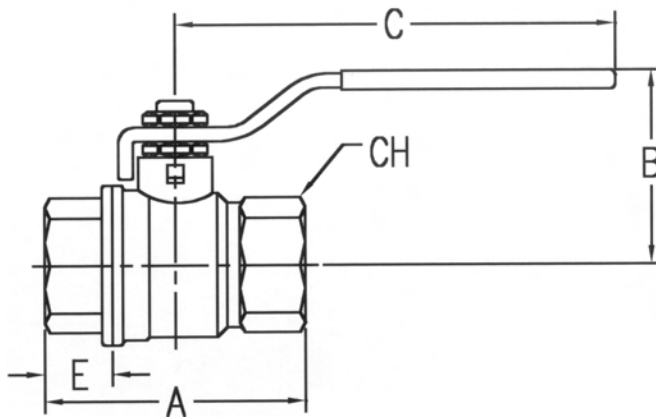
ALL DIMENSIONS IN INCHES. SPECIAL SEALS AVAILABLE, CONTACT FACTORY.



FLUID COMPONENTS, INC.

# DBV2 SERIES Brass Ball Valve

- Suitable for full range of liquids and gases
- Bottom loaded, pressure retaining stem
- Maximum operating temperature: 248 F
- Minimum operating temperature: -20 F
- 150 PSI Steam Rated
- 600 PSI Working Pressure
- Bottom entry, blow out proof stem
- 1/4" - 4" Sizes



PART NAME	MATERIAL
BODY	BRASS
CONNECTION	BRASS
BALL	CP BRASS
SEATS	PTFE
STEM SEALS	PTFE
PACKING	BRASS
NUT	STEEL
WASHER	STEEL
STEM	BRASS
HANDLE	STEEL

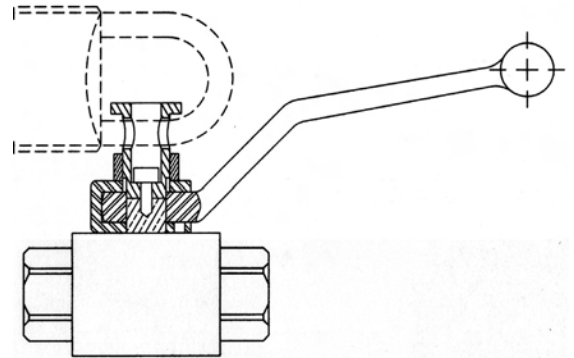
Part Number	Thread	Port	A	B	C	E	CH
DBV2-14-NPT	1/4 NPT	.31	1.96	1.57	3.43	.43	.74
DBV2-38-NPT	3/8 NPT	.39	1.96	1.57	3.43	.43	.86
DBV2-12-NPT	1/2 NPT	.59	2.28	1.77	3.35	.61	.94
DBV2-34-NPT	3/4 NPT	.78	2.44	1.89	3.35	.64	1.22
DBV2-1-NPT	1 NPT	.98	3.03	2.20	4.61	.75	1.50
DBV2-114-NPT	1 1/4 NPT	1.26	3.46	2.36	4.61	.77	1.89
DBV2-112-NPT	1 1/2 NPT	1.57	3.94	3.15	6.30	.77	2.12
DBV2-2-NPT	2 NPT	1.97	4.45	3.15	6.30	.79	2.63
DBV2-212-NPT	2 1/2 NPT	2.48	5.94	4.17	7.48	1.06	3.30
DBV2-3-NPT	3 NPT	2.99	6.85	5.47	9.84	1.14	3.89
DBV2-4-NPT	4-NPT	2.54	7.67	5.88	9.84	1.50	4.80

ALL DIMENSIONS IN INCHES

## BALL VALVE ACCESSORIES

### GE/GB SERIES LOCKING HANDLES

PART NUMBER	DESCRIPTION
GLK-S	Locking Handle For: 1/4" - 1/2" GE2, GE3
GLK-M	Locking Handle For: GE2, 3/4"-1 1/2", GE3L, 3/4"-1"
GLK-L	Locking Handle For: 1 1/4" - 1 1/2" GB2, GB3L
GLK-XL	Locking Handle For: 2" GB2, GB3L

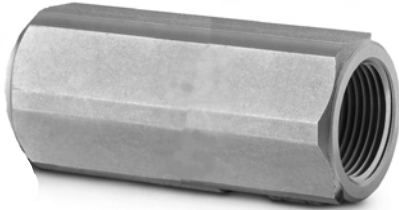




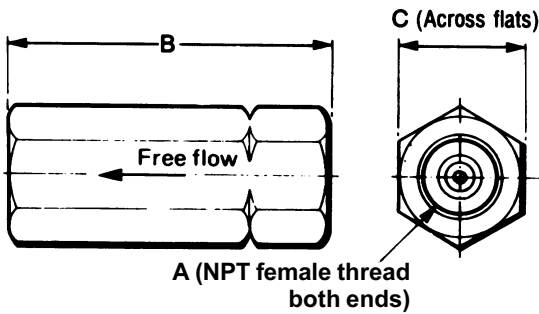
## CHECK VALVES

### Model HSP - Hard Seat Carbon Steel Construction

5 lb or 65 lb Cracking Pressure Available



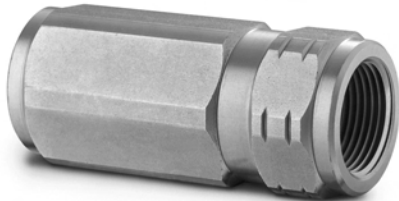
MODEL	A Size	B Inches	C Inches	Rated Flow gpm	Weight Lbs.	
HSP-1000-2-5 or 65	1/4 NPT	2.44	.87	6	.35	N P T
HSP-1000-3-5 or 65	3/8 NPT	2.87	.95	10	.44	
HSP-1000-4-5 or 65	1/2 NPT	3.50	1.14	18	.77	
HSP-1000-6-5 or 65	3/4 NPT	4.25	1.50	30	1.54	
HSP-1000-8-5 or 65	1 NPT	5.12	1.69	36	2.43	
HSP-1000-10-5 or 65	1 1/4 NPT	5.56	2.40	50	6.95	
HSP-1000-12-5 or 65	1 1/2 NPT	5.56	2.56	60	7.28	S A E
HSP-1001-4-5 or 65	7/16-20 SAE	2.56	.87	6	.35	
HSP-1001-6-5 or 65	9/16-20 SAE	2.91	.94	10	.44	
HSP-1001-8-5 or 65	3/4-16 SAE	3.74	1.18	18	.77	
HSP-1001-12-5 or 65	1 1/6-12 SAE	4.29	1.50	30	1.54	
HSP-1001-16-5 or 65	1 5/16-12 SAE	5.00	1.81	36	2.43	
HSP-1001-20-5 or 65	1 5/8-12 SAE	5.20	2.41	50	6.95	
HSP-1001-24-5 or 65	1 7/8-12 SAE	5.20	2.56	60	7.28	



Rated Pressure: Sizes 2 thru 8 - 5000 psi  
 Sizes 10 thru 24 - 3000 psi

### Model VU - Soft Seat

7 lb or 70 lb Cracking Pressure Available



MODEL	THREAD SIZE-NPT	A	B	RATED PRESSURE
VU-14F-7	1/4	1.96	.74	10,000 psi
VU-38F-7	3/8	2.36	.90	10,000 psi
VU-12F-7	1/2	2.76	1.06	7350 psi
VU-34F-7	3/4	3.38	1.38	7350 psi
VU-1F-7	1	3.93	2.16	7350 psi
VU-114F-7	1 1/4	5.12	1.97	4410 psi
VU-112F-7	1 1/2	5.31	2.56	4410 psi
VU-2F-7	2	5.91	2.95	4410 psi

Ordering Example: VU - 14F - 7

Dynamic Designation  
 VU - Soft Seat Model

Size - NPT  
 14F - 1/4  
 38F - 3/8  
 12F - 1/2  
 34F - 3/4  
 1F - 1  
 114F - 1 1/4  
 112F - 1 1/2  
 2F - 2

Cracking  
 7 - 7 psi  
 70 - 70 psi

# COLOR BAND FLOW CONTROL VALVES DTMF SERIES

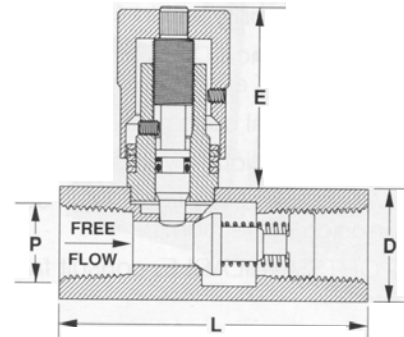
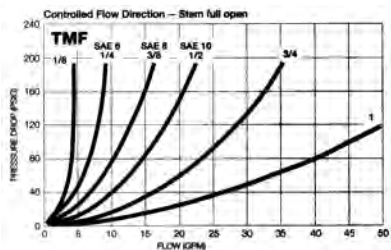
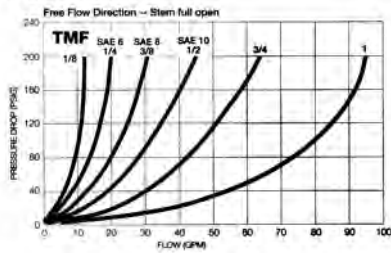
### Specifications:

Maximum Operating Pressure	5000 PSIG Steel 2000 PSIG brass
Temperature Range	-20°F TO+400°F
Stem Taper	2° x 45° Double Step
Stem Pitch	40 Threads/In
Cracking Pressure	2 PSI

### Materials:

Body	2L14 Steel, ASTM B 16 Brass
Piston	Stainless Steel
Piston Seal	Viton on 1/4" & 3/8" Brass Models with soft seat option. (Metal to Metal seal on all others).
Stem & Spring	Stainless Steel
Knob	Brass
Color Bands	Anodized Aluminum
Piston Retainer	Stainless Steel
Set Screw	Steel (Black Oxide)
Stem Packing	Viton O-ring with "Teflon" Backup

### Performance



### ORDERING INFORMATION

Part Number	Body Material	Piston Seal	P(NPT) Female	D(In.) Square	L (In.)	E(In.) Max.	Orifice Diameter	CV Free Flow	CV Controlled Flow
DTMF125BL	Brass	Viton	1/8	5/8	2	1 7/32	1/8	1.05	.25
DTMF250BL			1/4	13/16	2 5/8	1 3/8	5/32	1.47	.47
DTMF375BL		Metal	3/8	1	2 3/4	1 23/32	7/32	2.95	.72
DTMF125B			1/8	5/8	2	1 7/32	1/8	1.05	.25
DTMF250B			1/4	13/16	2 5/8	1 3/8	5/32	1.47	.47
DTMF375B			3/8	1	2 3/4	1 23/32	7/32	2.95	.72
DTMF500B			1/2	1 1/8	3 7/16	2 1/4	5/16	4.50	1.07
DTMF750B			3/4	1 1/2	3 7/8	2 15/32	3/8	5.41	1.71
DTMF250S	Steel	Metal	1/4	13/16	2 5/8	1 3/8	5/32	1.47	.47
DTMF375S			3/8	1	2 3/4	1 23/32	7/32	2.95	.72
DTMF500S			1/2	1 1/8	3 7/16	2 1/4	5/16	4.50	1.07
DTMF620S			9/16-18SAE	13/16	3 1/8	1 3/8	5/32	1.47	.47
DTMF750S			3/4	1 1/2	3 7/8	2 15/32	3/8	5.41	1.71
DTMF820S			3/4-16	1	3 1/2	1 23/32	7/32	2.95	.72
DTMF1000S			1	2	5	3 7/8	5/8	5.90	2.45
DTMF1020S			7/8-14 SAE	1 1/8	4	2 1/4	5/16	4.50	1.07

## FLOW CONTROL VALVES DKLF SERIES

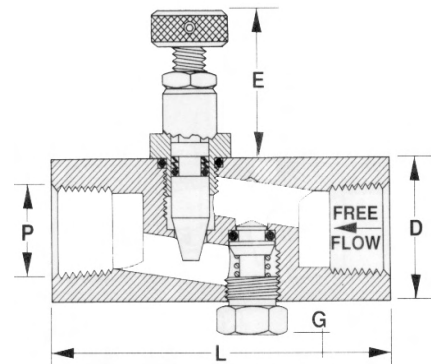
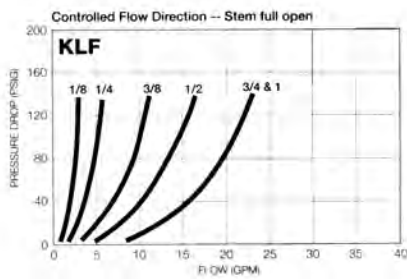
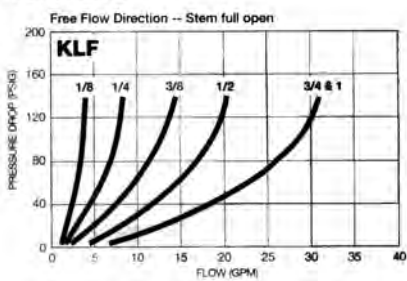
### Specifications:

Maximum Operating Pressure	5000 PSIG Steel 2000 PSIG brass
Temperature Range	-20°F TO+212°F
Stem Taper	8°
Stem Pitch	40 threads/in (1/8"-1/2") 24 threads/in (3/4, 1")

### Materials:

Body	2L14 Steel, ASTM B 16 Brass or 303 Stainless Steel
Stem	Stainless Steel or Brass
Knob	Aluminum (1/8"-1/2") Brass (3/4"-1")
Chamber	Steel (zinc plated)
Lock Nut	Brass
Stem Packing	Viton O-ring with Teflon Backup
Piston Assembly	Stainless Steel w/Viton O-ring
Ball & Spring	Stainless Steel
Check Plug	Steel or Brass
Set Screw & Chamber	Steel

### Performance



### ORDERING INFORMATION

Part Number	Body Material	Check Style	P(NPT) Female	D(In.) Square	G (In.)	L (In.)	E(In.) Max.	Orifice Diameter	CV Free Flow	CV Controlled Flow	Cracking Pressure (PSI)
DKLF125B	Brass	Piston	1/8	11/16	9/32	1 3/4	1 1/4	.156	.32	.23	10
DKLF250B			1/4	7/8	5/16	2 3/8	1 1/4	.156	.70	.44	7
DKLF375B			3/8	1 1/16	11/32	2 3/4	1 3/8	.265	1.14	.90	8
DKLF500B			1/2	1 5/16	3/8	3 3/16	1 3/8	.281	1.74	1.32	5
DKLF750B			3/4	1 5/8	15/32	3 9/16	1 7/8	.343	2.91	2.02	2
DKLF1000B			1	1 7/8	15/32	3 9/16	1 7/8	.343	2.91	2.02	2
DKLF125BBC		Steel Ball Check	1/8	11/16	9/32	1 3/4	1 1/4	.156	.32	.23	11
DKLF250BBC			1/4	7/8	5/16	2 3/8	1 1/4	.156	.70	.44	7
DKLF375BBC			3/8	1 1/16	11/32	2 3/4	1 3/8	.265	1.14	.90	3
DKLF500BBC			1/2	1 5/16	3/8	3 3/16	1 3/8	.281	1.74	1.32	1
DKLF750BBC	3/4		1 5/8	15/32	3 9/16	1 7/8	.343	2.91	2.02	3	
DKLF125SBC	Steel	Steel Ball Check	1/8	11/16	9/32	1 3/4	1 1/4	.156	.32	.23	11
DKLF250SBC			1/4	7/8	5/16	2 3/8	1 1/4	.156	.70	.44	7
DKLF375SBC			3/8	1 1/16	11/32	2 3/4	1 3/8	.265	1.14	.90	3
DKLF500SBC			1/2	1 5/16	3/8	3 3/16	1 3/8	.281	1.74	1.32	1
DKLF750SBC			3/4	1 5/8	15/32	3 9/16	1 7/8	.343	2.90	2.02	3
DKLF250SS	303 SS	Piston	1/4	1/8	5/16	2 3/8	1 1/4	.156	.70	.44	8

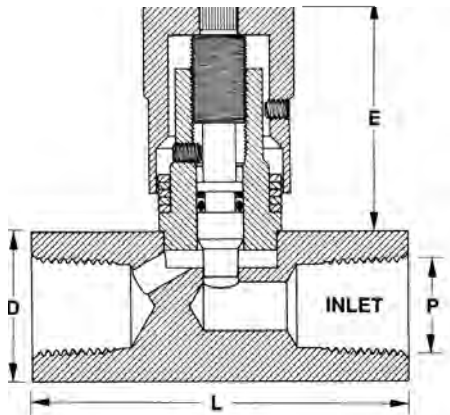
## COLOR BAND NEEDLE VALVES DTMN SERIES

### Specifications:

Maximum Operating Pressure	5000 PSIG Steel 2000 PSIG brass
Temperature Range	-20°F TO+400°F
Stem Taper	2° x 45° Double Step
Stem Pitch	40 threads/in

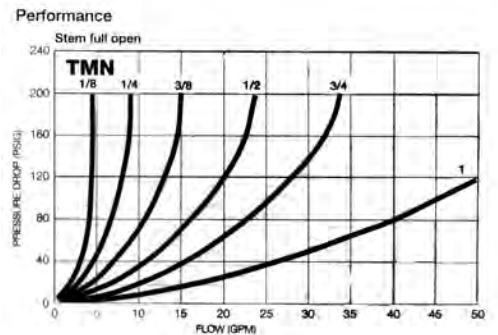
### Materials:

Body	12L14 Steel or ASTM B 16 Brass
Stem	Stainless Steel
Knob	Brass
Color Bands	Anodized Aluminum
Set Screw	Steel
Stem Packing	Viton O-ring with Teflon Backup



### ORDERING INFORMATION

Part Number	Body Material	P(NPT) Female	D(In.) Hex	L (In.)	E(In.) Max.	Orifice Diameter	CV
DTMN125B	Brass	1/8	5/8	1 1/2	1 7/32	1/8	.25
DTMN250B		1/4	13/16	2	1 3/8	5/32	.47
DTMN375B		3/8	1	2 1/2	1 23/32	7/32	.72
DTMN500B		1/2	1 1/8	2 5/8	2 1/2	5/16	1.07
DTMN250S	Steel	1/4	13/16	2	1 3/8	5/32	.47
DTMN375S		3/8	1	2 1/2	1 23/32	7/32	.72
DTMN500S		1/2	1 1/8	2 5/8	2 1/4	5/16	1.07
DTMN750S		3/4	1 1/2	3 1/4	2 15/32	3/8	1.71
DTMN1000S		1	2	4 1/4	3 7/8	5/8	2.45





FLUID COMPONENTS, INC.

# NEEDLE VALVES

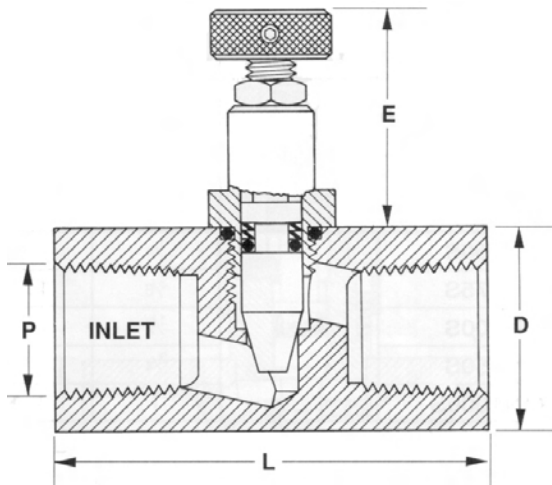
## DKLN SERIES

### Specifications:

Maximum Operating Pressure	5000 PSIG Steel 2000 PSIG brass
Temperature Range	-20°F TO+212°F
Stem Taper	8°
Stem Pitch	40 threads/in (1/8"-1/2") 24 threads/in (3/4, 1")

### Materials:

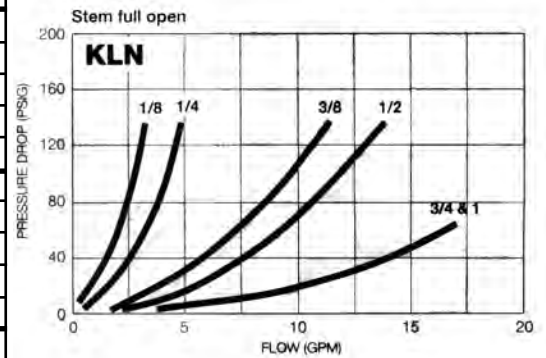
Body	12L14 Steel, ASTM B 16 Brass or 316 Stainless Steel
Stem	Stainless Steel or Brass
Knob	Aluminum (1/8"-1/2") Brass (3/4"-1")
Chamber	Steel (zinc plated)
Lock Nut	Brass
Stem Packing	Viton O-ring with Teflon Backup



### ORDERING INFORMATION

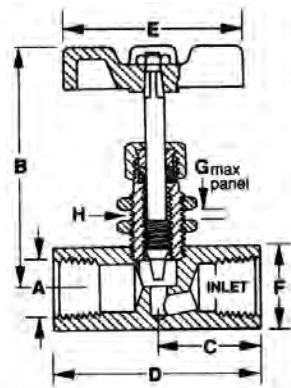
Part Number	Body Material	P(NPT) Female	D(In.) Hex	L (In.)	E(In.) Max.	Orifice Diameter	CV
DKLN125B	Brass	1/8	11/16	1 1/2	1 1/4	.156	.25
DKLN250B		1/4	7/8	2	1 1/4	.156	.39
DKLN375B		3/8	1 1/16	2 1/4	1 3/8	.265	.93
DKLN500B		1/2	1 5/16	2 21/32	1 3/8	.281	1.12
DKLN750B		3/4	1 5/8	3	1 7/8	.343	2.00
DKLN125S	Steel	1/8	11/16	1 1/2	1 1/4	.156	.25
DKLN250S		1/4	7/8	2	1 1/4	.156	.39
DKLN375S		3/8	1 1/16	2 1/4	1 3/8	.265	.93
DKLN500S		1/2	1 5/16	2 21/32	1 3/8	.281	1.12
DKLN750S		3/4	1 5/8	3	1 7/8	.343	2.00
DKLN125SS	Stainless	1/8	11/16	1 1/2	1 1/4	.156	.25

### Performance

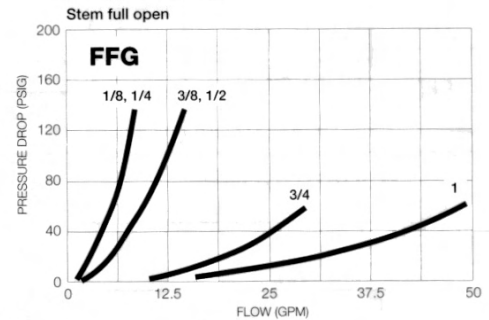


## NEEDLE VALVES DFFG SERIES

- Up to 10,000 PSI working pressure
- Heavy Duty construction for added strength and safety
- Carbon Steel valves are zinc plated and sealed with black chromate for corrosion protection
- Machined from carbon, 303 or 316 stainless steel
- Available in globe and angle configuration; in-line or panel mounted



### Performance



### ORDERING INFORMATION

Part Number	Body Material	A (NPT) Female	B (In.) Max.	C (In.)	D (In.)	E (In.)	F (In.) Square	G (In.)	H (In.) Diam.	Orifice Diam. (In.)	CV
DFFG2001T	Carbon Steel	1/8	3 1/2	31/32	1 15/16	2 1/2	7/8	3/8	5/8	7/22	.66
DFFG2002T		1/4		1 1/32	2 1/16						
DFFG2003T		3/8	1 7/16	2 3/4	1 1/8		3/4		.70		
DFFG2004T		1/2									
DFFG2006TA		3/4	5 3/16	1 13/16	3 5/8	4 1/4	1 1/2	7/8	1 1/2	9/16	3.90
DFFG2008TA		1	5 5/16	2 1/32	4 1/16	2	5.22				
DFFG2002SST	303 Stainless Steel	1/4	3 1/2	1 1/32	2 1/16	2 1/2	7/8	3/8	5/8	7/32	.66
DFFG2003SST		3/8	1 7/16	2 3/4	1 1/8						
DFFG2004SST		1/2									
DFFG2006SSTA		3/4	5 3/16	1 13/16	3 5/8	4 1/4	1 1/2	7/8	1 1/2	9/16	3.90
DFFG2008SSTA		1	5 5/16	2 1/32	4 1/16	2	5.22				
DFFG2002SS6T	316 Stainless Steel	1/4	3 1/2	1 1/32	2 1/16	2 1/2	7/8	3/8	5/8	7/32	.66
DFFG2004SS6T		1/2	3 5/8	1 7/16	2 3/4		1 1/8		3/4		.70

Section 4

**RESERVOIR ACCESSORIES**



The limited range of competitively produced quality accessory products are detailed in the following pages. These hydraulic reservoir accessories are available from stock for immediate supply.

**Table of Contents**

<u>Product</u>	<u>Page No.</u>
DB Series Breathers .....	40
DFB Series Filter Filler Breathers .....	41
DSL Sight Level Gages .....	42

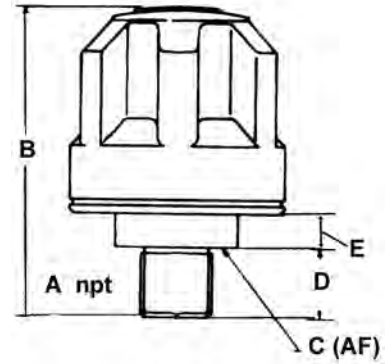
# Screw-On Type Air Breathers



## Plastic

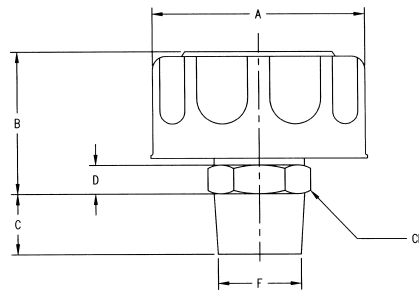
- 1/4 Inch NPT
- Plastic Model
- 10 Micron Breather

Model	A	B	C	D	E	Weight
PDSAB	1/4	2.26	.79	.53	.24	5 oz.



## CHROME PLATED STEEL

- 1/4 to 1 Inch NPT
- Steel Model
- 40 Micron Breather

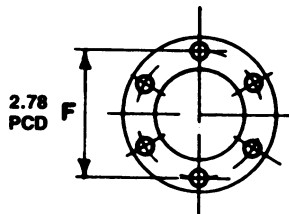
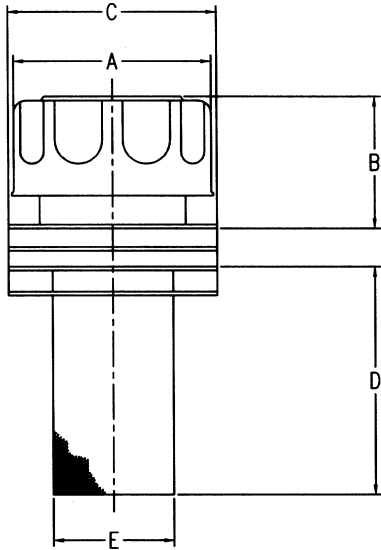


Model	Flow cfm	NPT	A	B	C	D	CH	Micron
DB40-04	10	1/4	1.85	1.60	.50	.30	.63	40
DB40-06	10	3/8	1.85	1.70	.50	.30	.75	40
DB40-08	10	1/2	2.54	1.88	.68	.29	.95	40
DB40-12	25	3/4	3.13	2.00	.82	.35	1.12	40
DB40-16	25	1	3.13	2.11	.90	.42	1.35	40



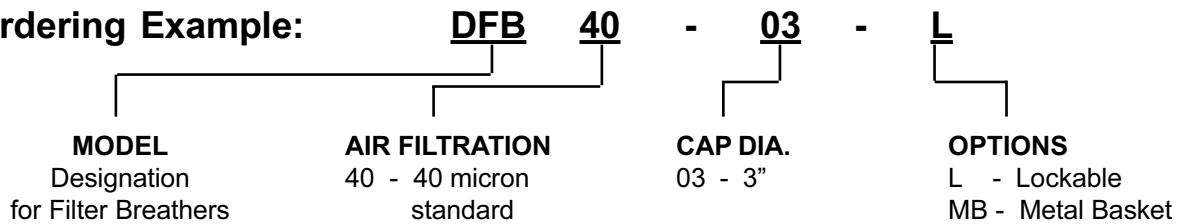
## Filter Filler Breathers

- Chrome Plated Cap
- 40 Micron Breather
- 3" Basket Length
- Lockable Options
- Metal Basket Standard



Model	A	B	C	D	E
DFB40-03	3.12	2.06	3.25	3.06	1.90

### Ordering Example:



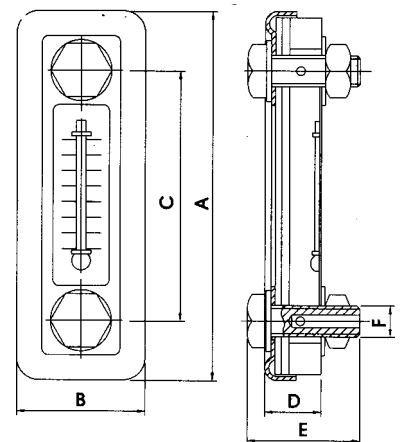
\* Consult Factory for ordering caps or baskets only

# Sight Level and Temperature Gages

- 3 and 5 Inch Lengths
- Level and Temperature
- Low Cost



MODEL	A	B	C	D	E	F	Weight
DSL-03	4.65	1.61	3.15	.71	1.47	M10	.40lbs.
DSL-05	7.09	2.05	5.00	.78	1.81	M12	.73lbs





FLUID COMPONENTS, INC.

# METRIC CONVERSIONS

## PRESSURES

Common catalog PRESSURES and corresponding value in bar, kilopascals and kilograms per square inch.

PSI	Bar	kPa	kg/cm <sup>2</sup>
0.5	0.034	3.44	0.0352
1	0.069	6.89	0.0703
1.25	0.086	8.62	0.0879
2	0.138	13.79	0.1406
5	0.345	34.48	0.3515
10	0.699	69.85	0.7030
15	1.034	103.43	1.0545
20	1.379	137.90	1.4060
25	1.724	172.38	1.7500
30	20.69	206.85	2.1090
35	2.413	241.33	2.4605
40	2.758	275.80	2.8120
50	3.448	344.75	3.5150
60	4.137	413.70	4.2180
70	4.827	482.65	4.9210
80	5.516	551.60	5.6240
90	6.206	620.55	6.3270
100	6.895	689.50	7.0300
125	8.619	861.88	8.7875
150	10.343	1034.25	10.5450
175	12.066	1206.63	12.3025
200	13.790	1379.00	14.0600
250	17.238	1723.75	17.5750
275	18.961	1896.13	19.3325
300	20.685	2068.50	21.0900
350	24.133	2413.25	24.6050
400	27.580	2758.00	28.1200
500	34.475	3447.50	35.1500
600	41.370	4137.00	42.1800
750	51.713	5171.25	52.7250
1000	68.950	6895.00	70.3000
1500	103.425	10342.50	105.4500
1900	131.005	13100.50	133.5700
2200	151.690	15169.00	154.6600

## COMMON EQUIVALENTS

Common English Unit and how to obtain the International Organization of Standardization (ISO) equivalent unit.

English Unit	Multiply by	To Obtain ISO Unit
Gallon (U.S. liquid)	3.785	liter (l)
Foot <sup>3</sup>	0.02832	meter <sup>3</sup> (m)
Ounce	28.35	gram (g)
Pound	0.4536	kilogram (kg)
Inch	25.40	millimeter (mm)
Foot	0.3048	meter (m)
PSIG	0.06895	bar
Inches of Water	0.00249	bar
Inches of Mercury	0.03386	bar
PSIG	6.895	kilopascal (kPa)
Inches of Water	0.249	kilopascal (kPa)
Inches of Mercury	3.386	kilopascal (kPa)
Std. cubic feet/hour (SCFH)	0.00786	cubic decimeter normalized/sec (dm <sup>3</sup> /s)
Gallons/minute (GPM)	3.785	liters/minute (l/min)

## COMMON EQUIVALENTS

Common catalog ORIFICE sizes and ISO equivalents in mm.

Inches	mm	Inches	mm
3/64 (.0469)	1.19	7/16 (.4375)	11.11
1/16 (.0625)	1.59	1/2 (.5000)	12.70
5/64 (.0781)	1.98	5/8 (.6250)	15.88
3/32 (.0937)	2.38	11/16 (.6875)	17.46
1/8 (.1250)	3.18	3/4 (.7500)	19.05
5/32 (.1562)	3.97	1 (1.000)	25.40
11/64 (.1719)	4.37	1 1/8 (1.125)	28.58
3/16 (.1875)	4.76	1 1/4 (1.250)	31.75
7/32 (.2187)	5.55	1 1/2 (1.500)	38.10
1/4 (.2500)	6.35	1 3/4 (1.750)	44.45
9/32 (.2812)	7.14	2 (2.000)	50.80
5/16 (.3125)	7.94	3 (3.000)	76.20

## SUGGESTED PRODUCT COMPATIBILITY GUIDE

### Bronze

acetone	butanol	cuprous oxide	ethylene glycol	glycerine	oil (lubricating)	sea water
acetylene	butyric acid	dextrine	eucalyptol	kerosene	oil (refined)	tanning liquors
alcohol	calcium chloride	ethers	formaldehyde	lacquers	oxygen	toluene
beer	calcium hydroxide	ethyl acetate	freon	lysol	paraffin	water
benzine	carbon dioxide (dry)	ethyl cellulose	gallic acid	magnesium sulfate	potassium chloride	whiskey
benzol	casein	ethylene	gas, illuminating	methyl salicylate	prestone	
bordeaux mixture	chloroform	ethylene dibromide	gasoline	naphtha	proxylin	
butane	coal gas	ethylene dichloride	glucose	nickel acetate	salicylic acid	

### Steel

acetone	ammonium phosphate	calcium hydroxide	ethers	magnesium sulfate	sodium carbonate	sulfur dioxide (dry)
acetylene	benzine	carbon bisulfide	gasoline (refined)	mercury	sodium hydroxide	sulfuric (concentrated to 75%)
alcohol	benzol	carbon dioxide (dry)	glucose	methyl chloride	sodium nitrate	
ammonium carbonate	benzyl alcohol	chloroform	glycerine	pitric acid (dry)	sodium sulfate	toluene
ammonium hydroxide	butane	coal gas	derosene	potassium chloride	sodium sulfite	vegetable oils
	butanol	cottonseed oil	magnesium hydroxide	potassium cyanide	sodium sulfite	
		creosole (crude)		potassium sulfate	sulfur dioxide (dry)	

### 316 Stainless Steel

acetic acid	butane	ferric nitrate	lox	photographic solutions	silver nitrate	vinegar
acetic anhydride	calcium bisulfite	ferric sulfate	nitric acid (pure)	pickling solutions	sodium cyanide	vegetable oils
alums	carbon disulfide	hydrocyanic acid	nitrous acid	pitric acid	sodium peroxide	wines
aluminum sulfate	chromic acid	hydrogen	nitrous oxide	potassium permangante	sodium phosphate	
ammonia	citric acid	hydrogen peroxide	oxygen		sulfur dioxide	
bleach liquors	copper sulfate	lactic acid	phosphoric acid		sulfurous acid	

## TERMS AND CONDITIONS

---

### PAYMENT TERMS

Net 30 days. Automatic C.O.D. after 60 days without prior notification, FOB West Union, SC.

### WARRANTY

Seller warrants the items sold hereunder shall be free from defects in materials or workmanship for a period of one (1) year from the date of shipment. This warranty comprises the entire warranty pertaining to items provided hereunder. Seller makes no other warranty, guarantee or representation of any kind. If the buyer disassembles, repairs or modifies the unit in any way warranty is no longer valid. All returns must be accompanied by our Return Authorization Form. Dynamic Fluid Components, Inc. is not responsible for material returned without authorization.

### RETURNED GOODS

Dynamic Fluid Components, Inc. reserves the right to accept material back at our discretion. All returns must be accompanied by our Return Authorization Form. Dynamic Fluid Components, Inc. is not responsible for material returned without authorization. Material may be returned for credit less a 25% restocking fee with an order of equal value or less a 50% restocking fee without an order of equal value provided materials is in saleable condition and freight is pre-paid. All returns for restock must be accompanied by a copy of the original Invoice, otherwise items are assumed to have been purchased at the maximum discount and credit is issued accordingly.

### CREDIT ISSUE POLICY

Credit balances can be offered by material purchase only. Cash payments are not allowed. Dynamic Fluid Components, Inc. reserves the right to assess a restocking fee on all items returned for credit.

### PRICING

Subject to change without prior notification.

### SPECIAL ORDERS

Special orders are noncancellable.

### CONDITIONS

Dynamic Fluid Components, Inc. must have a copy of your sales tax exemption certificate on file. Any discrepancies in either billing or shipping must be reported within 30 days from receipt of order. The carrier must be contracted if package is damaged when received and goods must be kept with original packaging for inspection by the carrier.



**Products supplied in this catalog can cause serious injury to equipment and persons if not used properly. Never exceed rated pressures stated in this catalog. Stated pressures are rated in P.S.I. Inspect products on a regular basis while in service. Products in this catalog are used in thousands of applications in varying situations. It is not possible for us to warranty the use of a specific product for a singular application. The user is responsible for selecting and testing the final configuration to insure that all performance, safety and warning requirements are met.**

Dynamic is not responsible for errors or omissions in this catalog

**Call 1-800-988-1276  
from anywhere in the U.S.**

**DYNAMIC**  
FLUID COMPONENTS, INC.